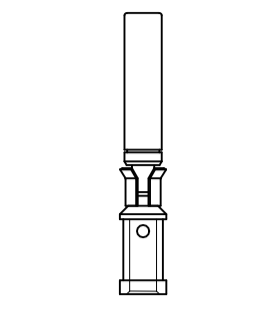
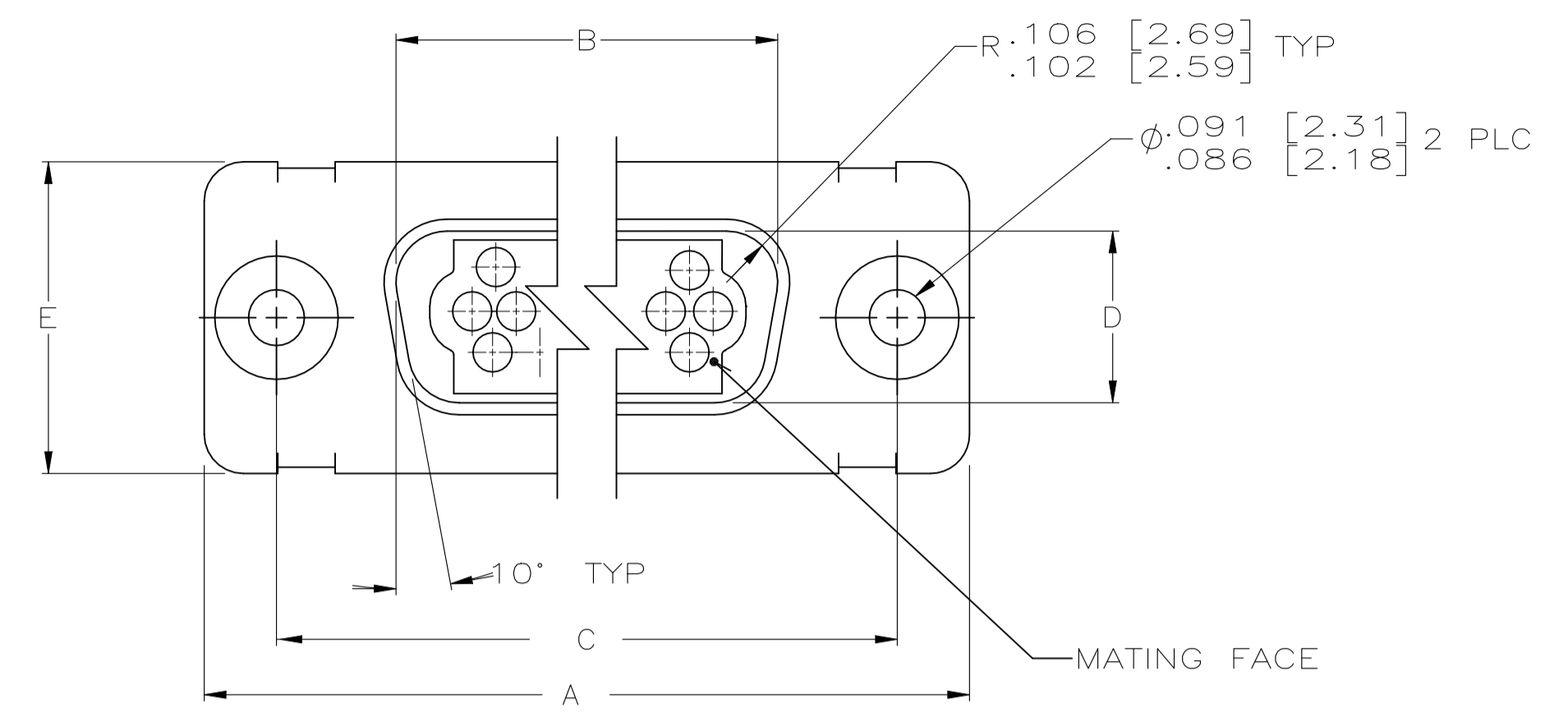
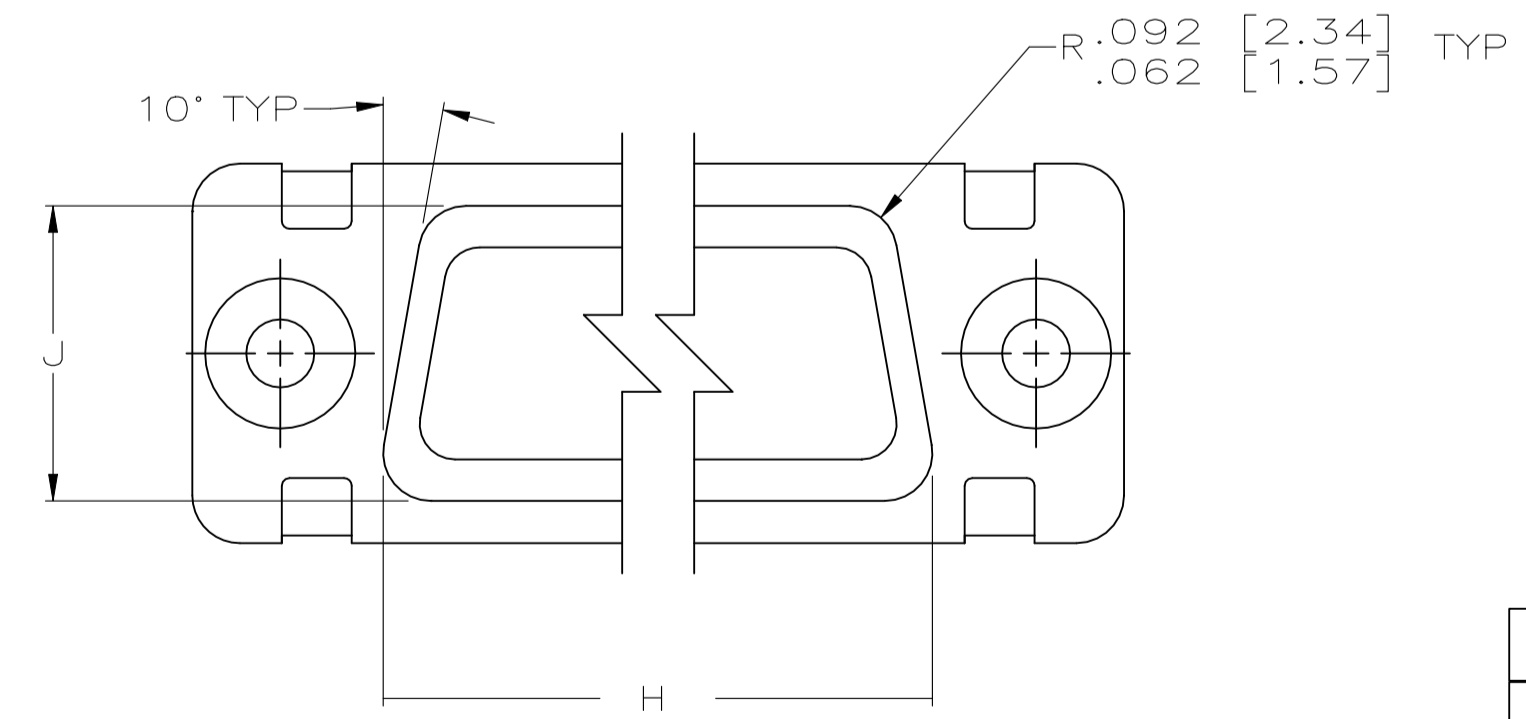
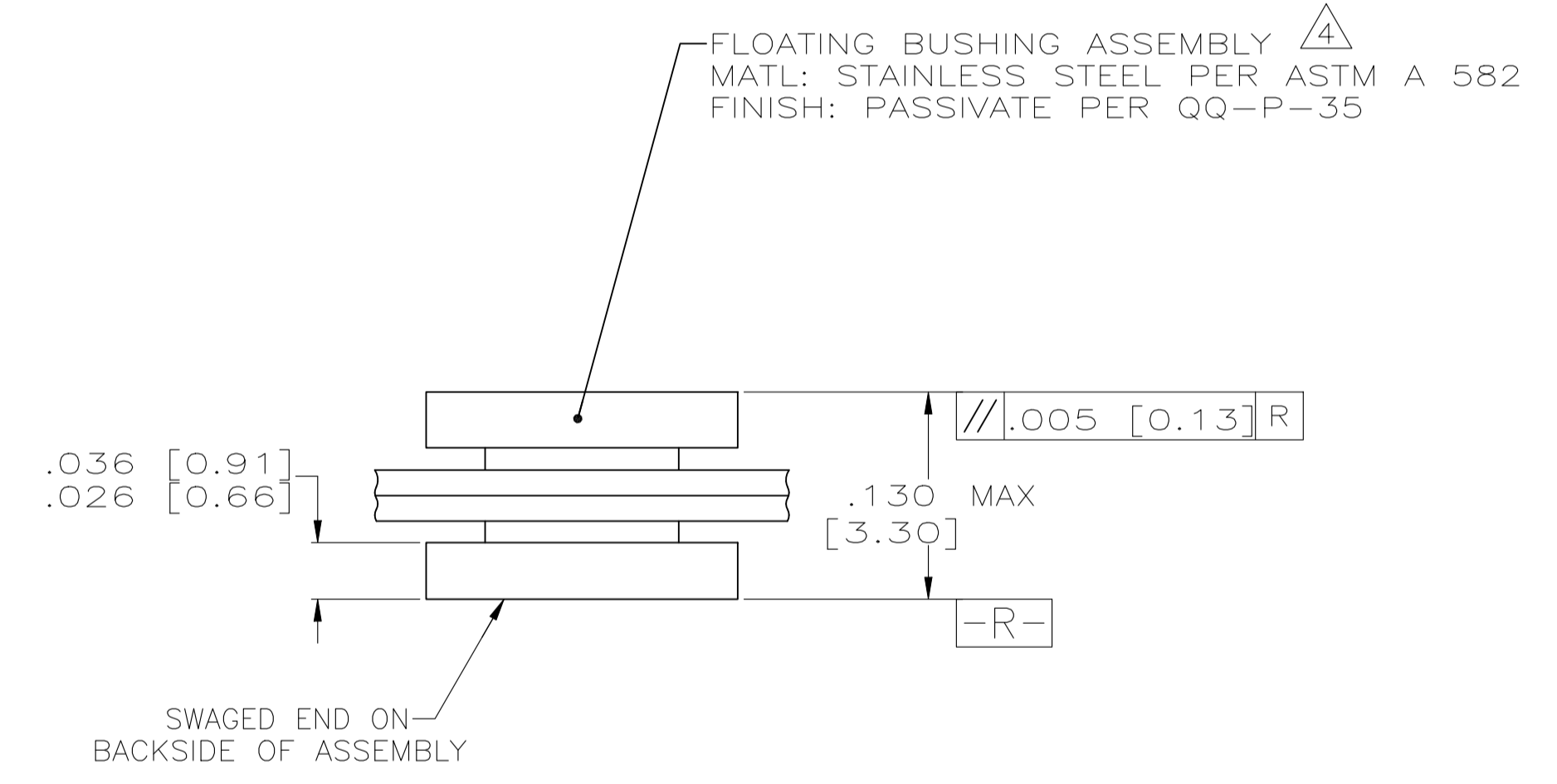
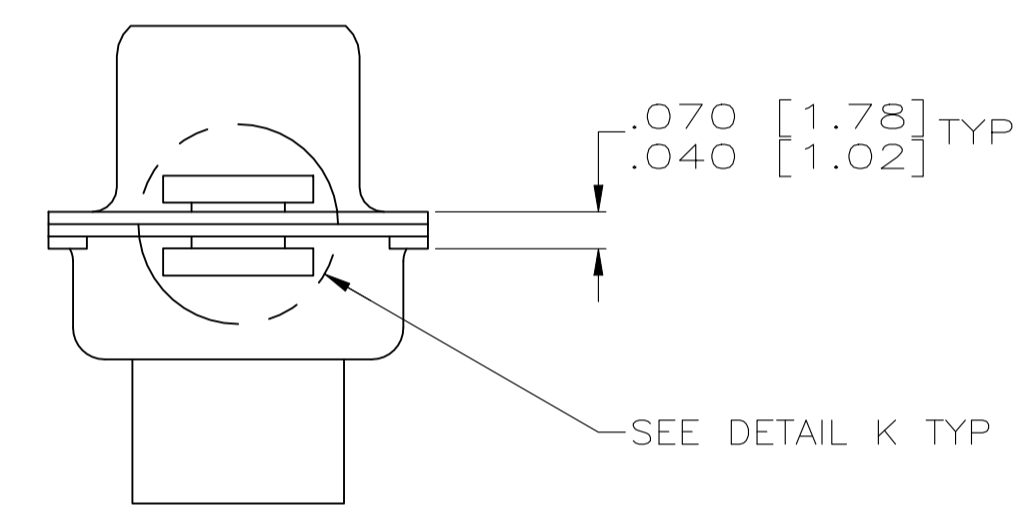
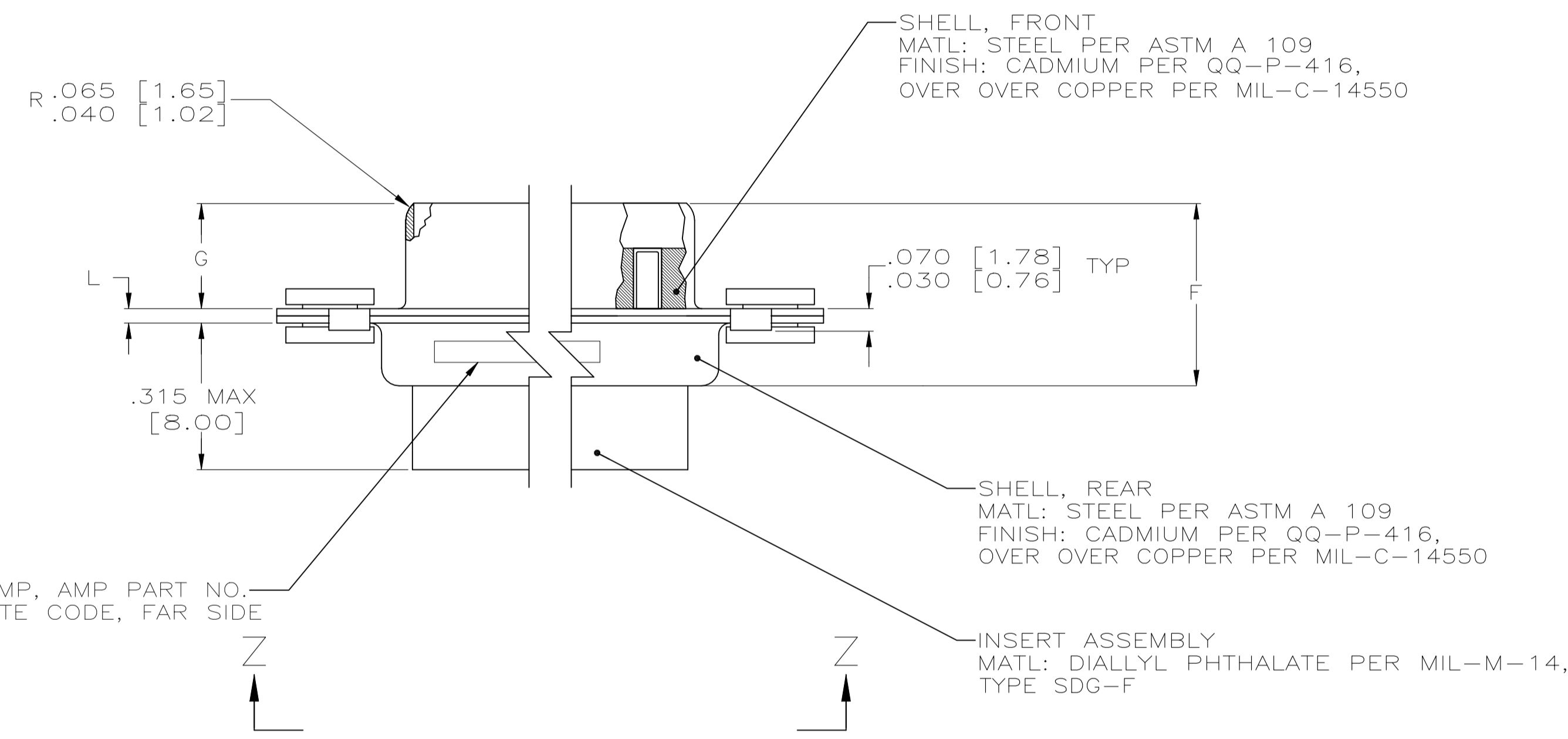


REVISIONS					
REV	DESCRIPTION	DATE	BY	APP'D	
F	REVISED PER ECO-21-000776	25OCT2021	JAB	DM	



CONTACT

- DIMENSIONS AND TOLERANCES PER ANSI Y14.5M-1982.
- SEE SHEET 2 FOR INSERT ARRANGEMENTS.
- MARK WITH .047 [1.19]-.062 [1.57] HIGH CHARACTERS. FAR SIDE REFERS TO THE WIDE SIDE OF THE KEYSTONE. NEAR SIDE REFERS TO THE NARROW SIDE OF THE KEYSTONE. MARK SIZE 1 AND SIZE 2 SHELLS AS FOLLOWS:
 - A. AMP AND DATE CODE ON REAR SHELL, FAR SIDE.
 - B. AMP PART NUMBER ON REAR SHELL, NEAR SIDE
- FLOAT SPECIFICATIONS ARE .004 [0.10]-.012 [0.30] VERTICALLY AND .026 [0.66]-.036 [0.91] HORIZONTALLY.



VIEW Z-Z

OBSOLETE		.544 [13.82] [13.31]	2.188 [55.58] [55.07]			.620 [15.75] [14.99]	.446 [11.33] [11.07]	2.411 [61.24] [60.99]	2.084 [52.93] [52.68]	2.650 [67.31] [66.55]	100	5	593213-5
OBSOLETE	.049 [1.24] [0.74]		2.282 [57.96] [57.45]	.236 [5.99] [5.69]	.436 [11.07] [10.57]			2.505 [63.63] [63.37]	2.187 [55.55] [55.30]	2.744 [69.70] [68.94]	79	4	593213-4
OBSOLETE		.432 [10.97] [10.46]	1.635 [41.53] [41.02]			.509 [12.93] [12.17]	.334 [8.48] [8.23]	1.857 [47.17] [46.91]	1.539 [39.09] [38.84]	2.103 [53.42] [52.65]	52	3	593213-3
	.040 [1.02] [0.51]		1.093 [27.76] [27.25]	.241 [6.12] [5.82]	.432 [10.97] [10.46]			1.317 [33.45] [33.20]	.999 [25.37] [25.12]	1.556 [39.52] [38.76]	31	2	593213-2
			.769 [19.53] [19.02]					.989 [25.12] [24.87]	.671 [17.04] [16.79]	1.228 [31.19] [30.43]	19	1	593213-1
	L	J	H	G	F	E	D	C	B	A	NO OF POS	SHELL SIZE	PART NUMBER

DETAIL K SCALE 10:1

THIS DRAWING IS A CONTROLLED DOCUMENT.

DIMENSIONS: mm [INCHES]	TOLERANCES UNLESS OTHERWISE SPECIFIED:	DW	J.A. BAKER 09-09-95	TE Connectivity DOUBLE DENSITY RECEIPT ASSY WITH SIZE 22 CRIMP TYPE CONTACTS, SHELL SIZES 1 THRU 5
0 PLC ± - 1 PLC ± - 2 PLC ± - 3 PLC ± - 4 PLC ± - ANGLES ± ± -		CHK	G. BIXLER 10-4-95	
MATERIAL	FINISH	APVD	G. BIXLER 10-4-95	NAME
		PRODUCT SPEC		APPLICATION SPEC
		WEIGHT	0.000000	SIZE
		CAGE CODE	A100779	DRAWING NO
		RESTRICTED TO		
		CUSTOMER DRAWING		SCALE 1:1
		SHEET	1 of 2	REV

单击下面可查看定价，库存，交付和生命周期等信息

[>>TE Connectivity\(泰科\)](#)