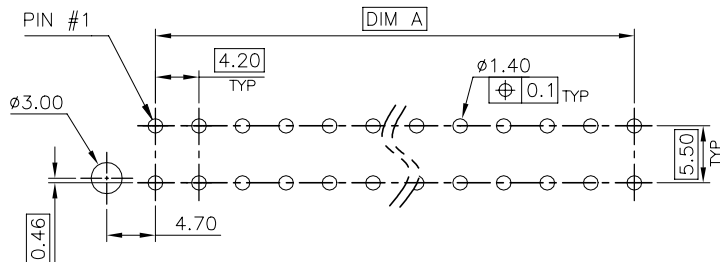
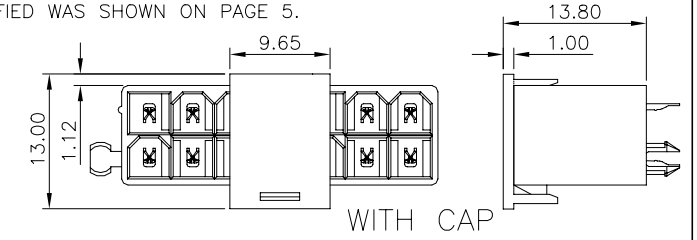
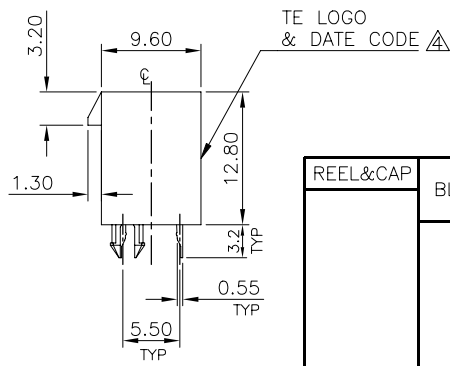
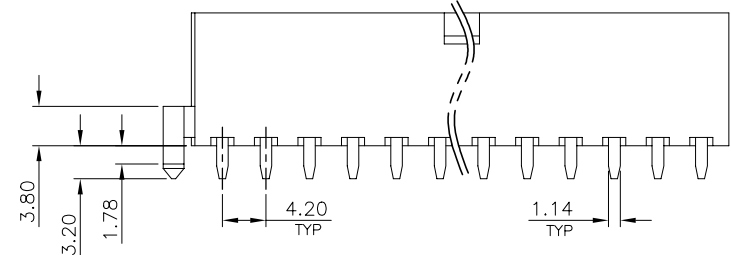
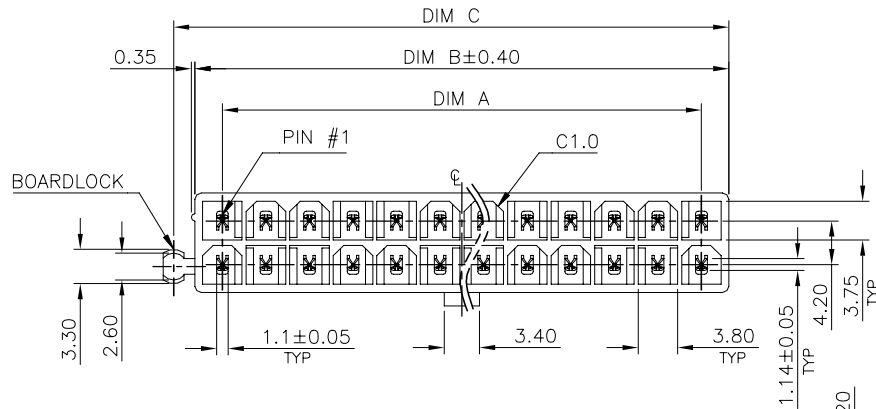


| LOC | DIST | REVISIONS | | | |
|-----|------|-------------|---------------------------|-----------|---------|
| P | LTR | DESCRIPTION | DATE | DWN | APVD |
| DW | | J | REVISED PER ECO-19-018195 | 20OCT2020 | D.S H.L |

- NOTE:
- MATERIAL:
 HOUSING: PA9T, UL94 V-0, COLOR: (SEE TABLE).
 CONTACTS: BRASS.
 CAP: LCP UL94 V-0, COLOR :BLACK.
 - FINISH:
 CONTACTS: 3.05um [120u"] MIN. MATTE-TIN.
 1.27um [50u"] MIN. NICKEL UNDERPLATED ALL OVER.
 - WAVE SOLDER CAPABLE TO 265°C PER TEST SPEC.
 109-202, CONDITION B.
 - NO TE LOGO AND DATE CODE ON THE PRODUCT WITH 4 POS.
 - THE KEY IDENTIFIED WAS SHOWN ON PAGE 5.



ONE BOARDLOCK
(LEFT)

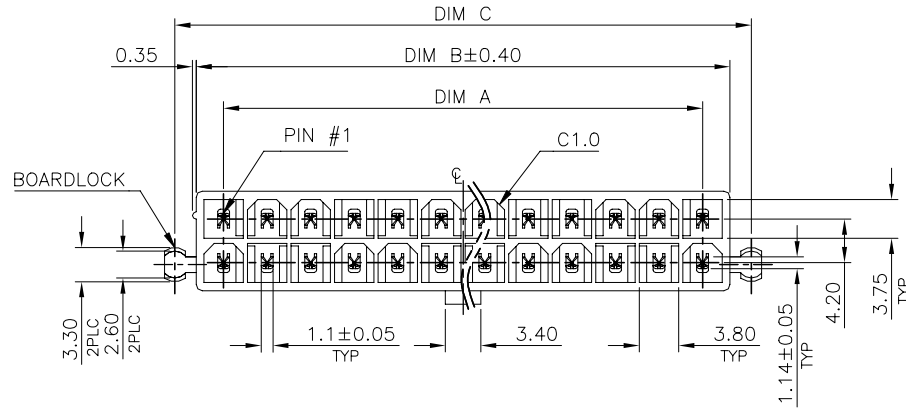
| REEL&CAP | BLACK PA9T | 3.11 | 25.2 | 30.5 | 32.55 | 14 | 6-1775099-9 |
|----------|----------------------|--------|-------|-------|-------|------|-------------|
| TRAY | IVORY PA9T | 1.52 | 8.4 | 13.7 | 15.75 | 6 | 6-1775099-6 |
| | | 5.40 | 46.2 | 51.5 | 53.55 | 24 | 1-1775099-3 |
| | | 1.13 | 4.2 | 9.5 | 11.55 | 4 | 1-1775099-2 |
| | | 4.30 | 37.8 | 43.1 | 45.15 | 20 | 1-1775099-1 |
| | | 3.90 | 33.6 | 38.9 | 40.95 | 18 | 1-1775099-0 |
| | TRANSPARENCY PA9T | 3.11 | 25.2 | 30.5 | 32.55 | 14 | 1775099-9 |
| | | 2.71 | 21.0 | 26.3 | 28.35 | 12 | 1775099-8 |
| | | 2.31 | 16.8 | 22.1 | 24.15 | 10 | 1775099-7 |
| | | 1.52 | 8.4 | 13.7 | 15.75 | 6 | 1775099-6 |
| | | 1.92 | 12.6 | 17.9 | 19.95 | 8 | 1775099-5 |
| PACKAGE | HSG COLOR & MATERIAL | 5.40 | 46.2 | 51.5 | 53.55 | 24 | 1775099-4 |
| | | 1.13 | 4.2 | 9.5 | 11.55 | 4 | 1775099-3 |
| | | 5.40 | 46.2 | 51.5 | 53.55 | 24 | 1775099-2 |
| | | 1.13 | 4.2 | 9.5 | 11.55 | 4 | 1775099-1 |
| | | WEIGHT | DIM A | DIM B | DIM C | POS. | PART NUMBER |

SUPERSEDED TO 1-1775099-3
 SUPERSEDED TO 1-1775099-2
 OBSOLETE

THIS DRAWING IS A CONTROLLED DOCUMENT.

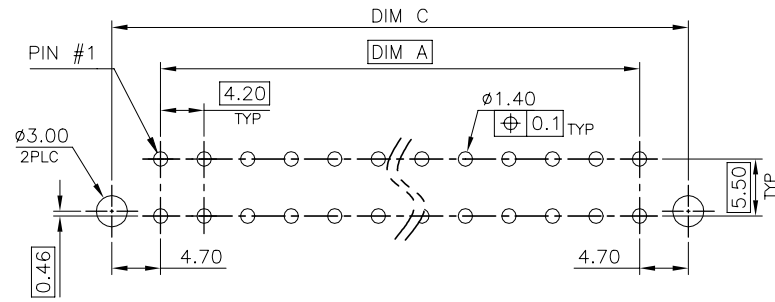
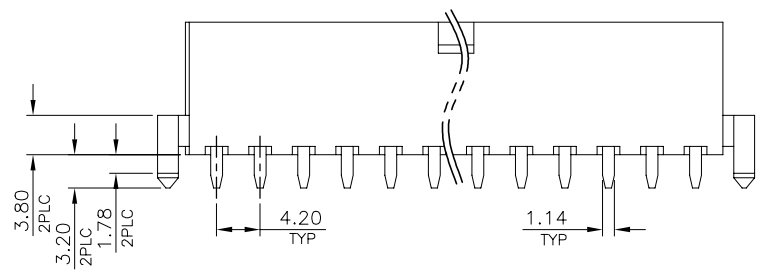
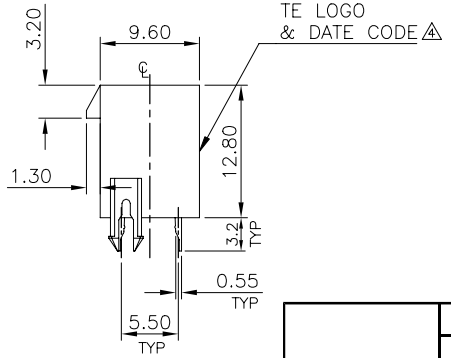
| | | | |
|-------------------|----------------------------------------|--------------------------|---------------------------------------------------------------------------|
| DIMENSIONS: mm | TOLERANCES UNLESS OTHERWISE SPECIFIED: | DWN B. HSING 15JUL2009 | TE Connectivity ATX POWER CONNECTOR 4.2mm PITCH, VERTICAL, DIP TYPE |
| | 0 PLC ± - | CHK S. CHIEN 15JUL2009 | |
| | 1 PLC ± 0.3 | APVD W. KODAMA 15JUL2009 | |
| | 2 PLC ± 0.2 | NAME | |
| 3 PLC ± 0.15 | PRODUCT SPEC | 108-57560 | SIZE A3 |
| 4 PLC ± - | APPLICATION SPEC | SEE TABLE | CAGE CODE 00779 |
| ANGLES ± 3' | | | DRAWING NO C=1775099 |
| MATERIAL SEE NOTE | FINISH SEE NOTE | WEIGHT SEE TABLE | RESTRICTED TO |
| CUSTOMER DRAWING | | | SCALE - SHEET 1 OF 7 REV J |

| LOC | DIST | REVISIONS | | | |
|-----|------|--------------|------|-----|------|
| P | LTR | DESCRIPTION | DATE | DWN | APVD |
| DW | | SEE SHEET 1. | | | |



- NOTE:
- MATERIAL:
HOUSING: PA9T, UL94 V-0, COLOR: (SEE TABLE).
CONTACTS: BRASS.
 - FINISH:
CONTACTS: 3.05um [120u"] MIN. MATTE-TIN.
1.27um [50u"] MIN. NICKEL UNDERPLATED ALL OVER.
 - WAVE SOLDER CAPABLE TO 265°C PER TEST SPEC.
109-202, CONDITION B.
 - NO TE LOGO AND DATE CODE ON THE PRODUCT WITH 4 POS.
 - THE KEY IDENTIFIED WAS SHOWN ON PAGE 5.
 - PACKING WITH TRAY.

TWO BOARDLOCK



RECOMMENDED PCB LAYOUT
 TOLERANCE: ±0.05 T=1.6mm

| IVORY PA9T | 3.54 | 29.4 | 34.7 | 38.8 | 16 | 2-1775099-9 |
|----------------------|--------|-------|-------|-------|-------------|-------------|
| | 5.43 | 46.2 | 51.5 | 55.6 | 24 | 2-1775099-8 |
| | 4.33 | 37.8 | 43.1 | 47.2 | 20 | 2-1775099-7 |
| | 3.93 | 33.6 | 38.9 | 43.0 | 18 | 2-1775099-6 |
| | 3.14 | 25.2 | 30.5 | 34.6 | 14 | 2-1775099-5 |
| | 2.74 | 21.0 | 26.3 | 30.4 | 12 | 2-1775099-4 |
| | 2.34 | 16.8 | 22.1 | 26.2 | 10 | 2-1775099-3 |
| | 1.95 | 12.6 | 17.9 | 22.0 | 8 | 2-1775099-2 |
| | 1.55 | 8.4 | 13.7 | 17.8 | 6 | 2-1775099-1 |
| 1.16 | 4.2 | 9.5 | 13.6 | 4 | 2-1775099-0 | |
| HSG COLOR & MATERIAL | WEIGHT | DIM A | DIM B | DIM C | POS. | PART NUMBER |

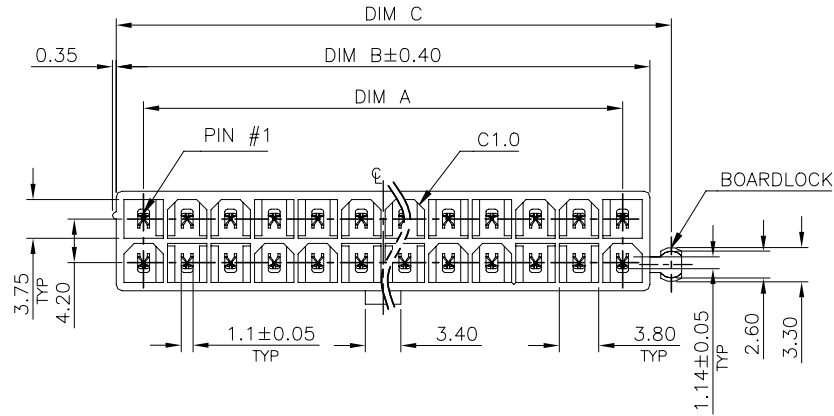
THIS DRAWING IS A CONTROLLED DOCUMENT.

| | | | |
|----------------|----------------------------------------|------------------|---------------------------------------------------------------------------|
| DIMENSIONS: mm | TOLERANCES UNLESS OTHERWISE SPECIFIED: | DWN | TE Connectivity ATX POWER CONNECTOR 4.2mm PITCH, VERTICAL, DIP TYPE |
| | 0 PLC ± - | CHK | |
| | 1 PLC ± 0.3 | APVD | |
| | 2 PLC ± 0.2 | PRODUCT SPEC | |
| MATERIAL | FINISH | APPLICATION SPEC | NAME |
| | | WEIGHT | SIZE A3 CAGE CODE 00779 DRAWING NO C=1775099 RESTRICTED TO |
| | | CUSTOMER DRAWING | SCALE SHEET 2 OF 7 REV J |

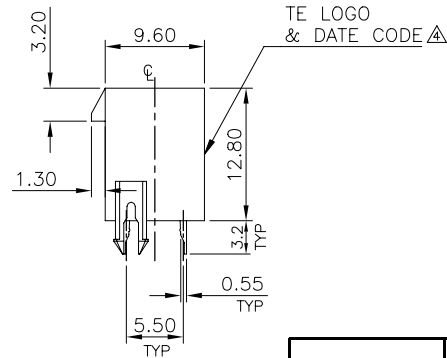
THIS DRAWING IS UNPUBLISHED. RELEASED FOR PUBLICATION

COPYRIGHT 2010 BY TYCO ELECTRONICS CORPORATION. ALL RIGHTS RESERVED.

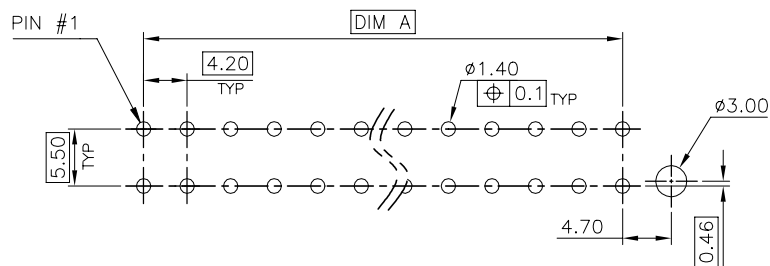
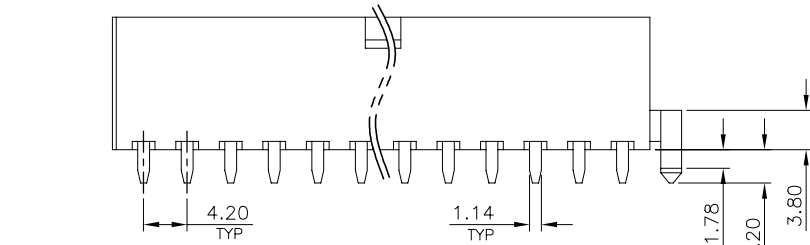
| LOC | | DIST | | REVISIONS | | | |
|--------------|-----|-------------|--|-----------|-----|------|--|
| P | LTR | DESCRIPTION | | DATE | DWN | APVD | |
| SEE SHEET 1. | | | | | | | |



- NOTE:
- MATERIAL:
HOUSING: PA9T, UL94 V-0, COLOR: (SEE TABLE).
CONTACTS: BRASS.
 - FINISH:
CONTACTS: 3.05um [120u"] MIN. MATTE-TIN.
1.27um [50u"] MIN. NICKEL UNDERPLATED ALL OVER.
 - WAVE SOLDER CAPABLE TO 265°C PER TEST SPEC.
109-202, CONDITION B.
 - NO TE LOGO AND DATE CODE ON THE PRODUCT WITH 4 POS.
 - THE KEY IDENTIFIED WAS SHOWN ON PAGE 5.
 - PACKING WITH TRAY.



ONE BOARDLOCK
(RIGHT)



RECOMMENDED PCB LAYOUT
TOLERANCE: ±0.05 T=1.6mm

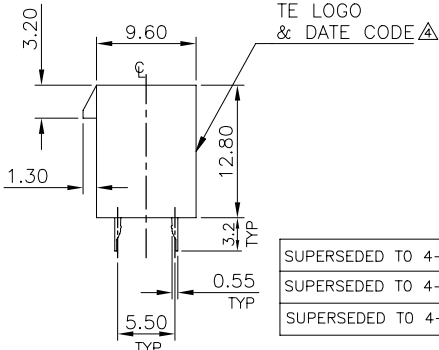
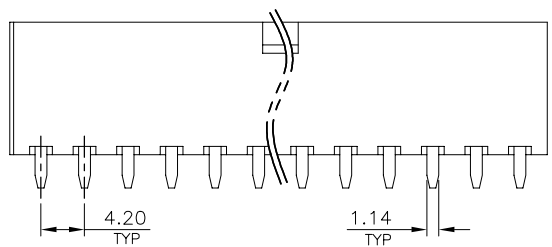
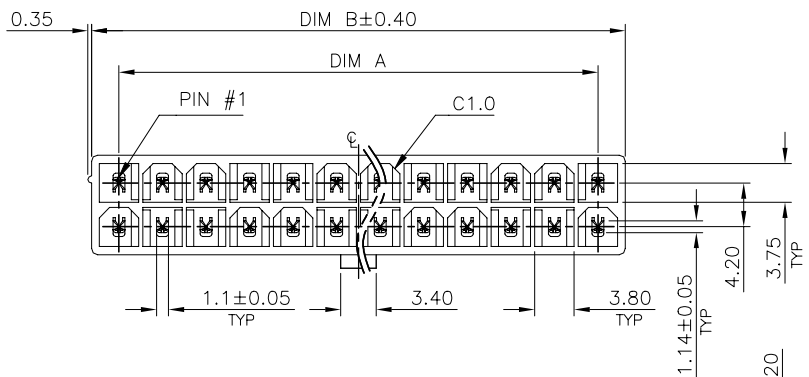
| | | | | | | |
|----------------------|--------|-------|-------|-------|-------------|-------------|
| IVORY PA9T | 5.40 | 46.2 | 51.5 | 53.55 | 24 | 3-1775099-8 |
| | 4.30 | 37.8 | 43.1 | 45.15 | 20 | 3-1775099-7 |
| | 3.90 | 33.6 | 38.9 | 40.95 | 18 | 3-1775099-6 |
| | 3.11 | 25.2 | 30.5 | 32.55 | 14 | 3-1775099-5 |
| | 2.71 | 21.0 | 26.3 | 28.35 | 12 | 3-1775099-4 |
| | 2.31 | 16.8 | 22.1 | 24.15 | 10 | 3-1775099-3 |
| | 1.92 | 12.6 | 17.9 | 19.95 | 8 | 3-1775099-2 |
| | 1.52 | 8.4 | 13.7 | 15.75 | 6 | 3-1775099-1 |
| 1.13 | 4.2 | 9.5 | 11.55 | 4 | 3-1775099-0 | |
| HSG COLOR & MATERIAL | WEIGHT | DIM A | DIM B | DIM C | POS. | PART NUMBER |

THIS DRAWING IS A CONTROLLED DOCUMENT.

| | | | | | | |
|-------------------|-------------------------------------------------------------------------------------|------------------|--------------------------------------------------------|-----------|------------|---------------|
| DIMENSIONS: mm | TOLERANCES UNLESS OTHERWISE SPECIFIED: | DWN | TE Connectivity | | | |
| | 0 PLC ± - 1 PLC ± 0.3 2 PLC ± 0.2 3 PLC ± 0.15 4 PLC ± - ANGLES ± 3° | CHK | NAME | | | |
| MATERIAL | FINISH | APVD | ATX POWER CONNECTOR 4.2mm PITCH, VERTICAL, DIP TYPE | | | |
| | | PRODUCT SPEC | SIZE | CAGE CODE | DRAWING NO | RESTRICTED TO |
| | | APPLICATION SPEC | A3 | 00779 | C=1775099 | |
| | | WEIGHT | SEE TABLE | | | |
| | | CUSTOMER DRAWING | SCALE | SHEET | 3 OF 7 | REV J |

THIS DRAWING IS UNPUBLISHED. RELEASED FOR PUBLICATION
 © COPYRIGHT 2010 BY TYCO ELECTRONICS CORPORATION. ALL RIGHTS RESERVED.

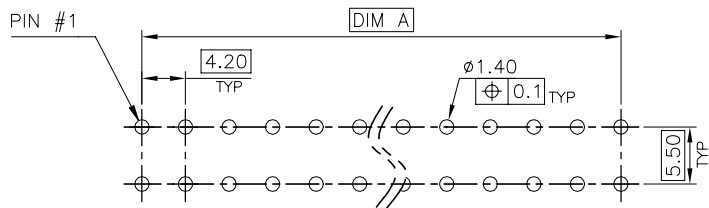
| LOC | DIST | REVISIONS | | | |
|-----|------|--------------|------|-----|------|
| P | LTR | DESCRIPTION | DATE | DWN | APVD |
| DW | | SEE SHEET 1. | | | |



NO BOARDLOCK

- NOTE:
- MATERIAL:
HOUSING: PA9T, UL94 V-0, COLOR: (SEE TABLE).
CONTACTS: BRASS.
 - FINISH:
CONTACTS: 3.05um [120u"] MIN. MATTE-TIN.
1.27um [50u"] MIN. NICKEL UNDERPLATED ALL OVER.
 - WAVE SOLDER CAPABLE TO 265°C PER TEST SPEC.
109-202, CONDITION B.
 - NO TE LOGO AND DATE CODE ON THE PRODUCT WITH 4 POS.
 - THE KEY IDENTIFIED WAS SHOWN ON PAGE 5.
 - PACKING WITH TRAY.

| IVORY PA9T | 2.28 | 16.8 | 22.1 | 10 | 5-1775099-3 |
|---------------------------|--------|-------|-------|------|-------------|
| SUPERSEDED TO 4-1775099-3 | | | | | |
| SUPERSEDED TO 4-1775099-2 | 1.89 | 12.6 | 17.9 | 8 | 5-1775099-2 |
| SUPERSEDED TO 4-1775099-1 | 1.49 | 8.4 | 13.7 | 6 | 5-1775099-1 |
| IVORY PA9T | 5.37 | 46.2 | 51.5 | 24 | 4-1775099-8 |
| | 4.27 | 37.8 | 43.1 | 20 | 4-1775099-7 |
| | 3.87 | 33.6 | 38.9 | 18 | 4-1775099-6 |
| | 3.08 | 25.2 | 30.5 | 14 | 4-1775099-5 |
| | 2.68 | 21.0 | 26.3 | 12 | 4-1775099-4 |
| | 2.28 | 16.8 | 22.1 | 10 | 4-1775099-3 |
| | 1.89 | 12.6 | 17.9 | 8 | 4-1775099-2 |
| | 1.49 | 8.4 | 13.7 | 6 | 4-1775099-1 |
| | 1.10 | 4.2 | 9.5 | 4 | 4-1775099-0 |
| HSG COLOR & MATERIAL | WEIGHT | DIM A | DIM B | POS. | PART NUMBER |



RECOMMENDED PCB LAYOUT
 TOLERANCE: ±0.05 T=1.6mm

THIS DRAWING IS A CONTROLLED DOCUMENT.

DIMENSIONS: mm

TOLERANCES UNLESS OTHERWISE SPECIFIED:

| | |
|--------|--------|
| 0 PLC | ± - |
| 1 PLC | ± 0.3 |
| 2 PLC | ± 0.2 |
| 3 PLC | ± 0.15 |
| 4 PLC | ± - |
| ANGLES | ± 3' |

MATERIAL: _____ FINISH: _____

STE TE Connectivity

ATX POWER CONNECTOR
 4.2mm PITCH, VERTICAL, DIP TYPE

SIZE: A3 CAGE CODE: 00779 C=1775099 DRAWING NO: _____ RESTRICTED TO: _____

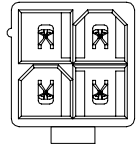
WEIGHT: SEE TABLE

CUSTOMER DRAWING

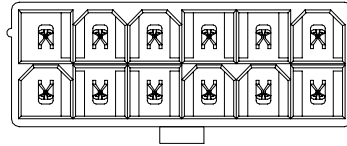
SCALE: _____ SHEET: 4 OF 7 REV: J

THIS DRAWING IS UNPUBLISHED. RELEASED FOR PUBLICATION
 © COPYRIGHT 2010 BY TYCO ELECTRONICS CORPORATION. ALL RIGHTS RESERVED.

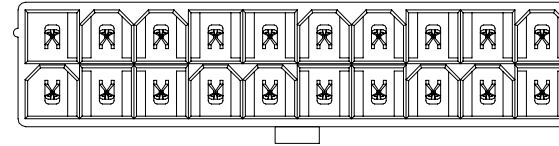
| LOC | | DIST | | REVISIONS | | | |
|--------------|-----|-------------|--|-----------|-----|------|--|
| P | LTR | DESCRIPTION | | DATE | DWN | APVD | |
| SEE SHEET 1. | | | | | | | |



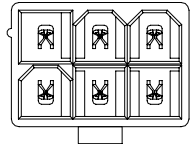
4 POS



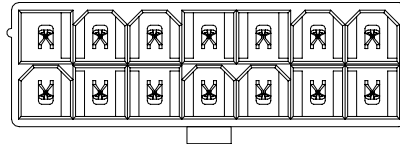
12 POS



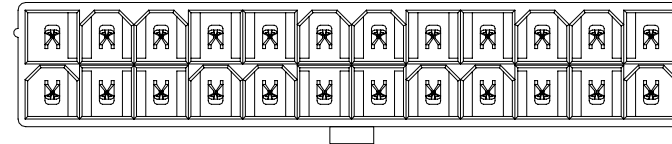
20 POS



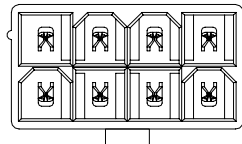
6 POS



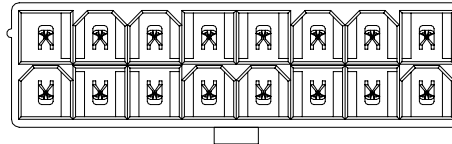
14 POS



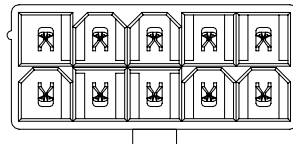
24 POS



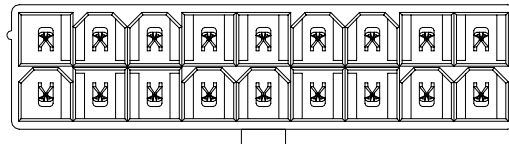
8 POS



16 POS



10 POS



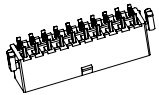
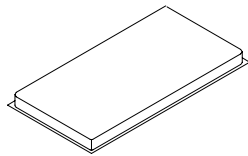
18 POS

KEY POSITION IDENTIFIED
(TOP VIEW)

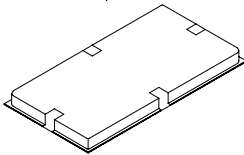
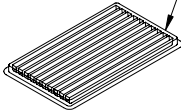
| | | | | |
|----------------------------------------|--------|------------------|--------------------------------------------------------|---------------|
| THIS DRAWING IS A CONTROLLED DOCUMENT. | | DWN | TE Connectivity | |
| DIMENSIONS: mm | | CHK | NAME | |
| TOLERANCES UNLESS OTHERWISE SPECIFIED: | | APVD | ATX POWER CONNECTOR 4.2mm PITCH, VERTICAL, DIP TYPE | |
| 0 PLC ± - | | PRODUCT SPEC | SIZE | RESTRICTED TO |
| 1 PLC ± 0.3 | | APPLICATION SPEC | A3 | |
| 2 PLC ± 0.2 | | WEIGHT | CAGE CODE | |
| 3 PLC ± 0.15 | | CUSTOMER DRAWING | 00779 | |
| 4 PLC ± - | | SCALE | DRAWING NO | |
| ANGLES ± 3' | | SHEET | C=1775099 | |
| MATERIAL | FINISH | 5 OF 7 | REV | J |

THIS DRAWING IS UNPUBLISHED. RELEASED FOR PUBLICATION
 © COPYRIGHT 2010 BY TYCO ELECTRONICS CORPORATION. ALL RIGHTS RESERVED.

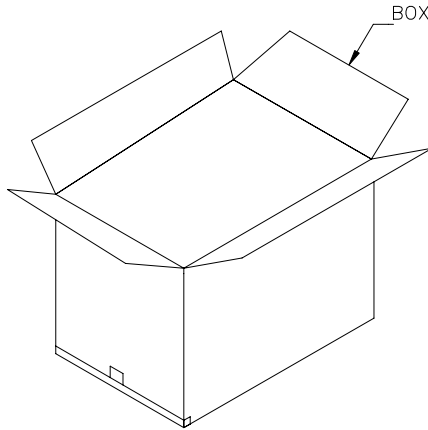
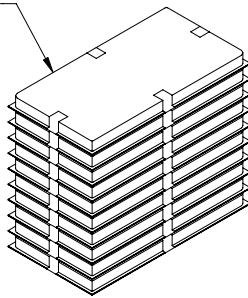
| LOC | | DIST | | REVISIONS | | | |
|-----|-----|--------------|--|-----------|-----|------|--|
| P | LTR | DESCRIPTION | | DATE | DWN | APVD | |
| | | SEE SHEET 1. | | | | | |



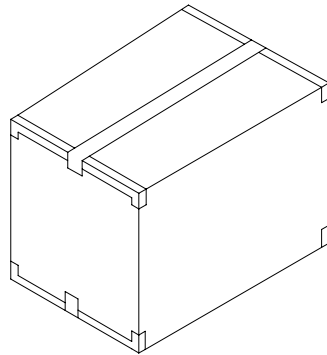
QUANTITY SEE TABLE



10 TRAY



BOX



NOTES:

- 1. TRAY : PVC, SIZE: 330mm(L)X 265mm(W)X 22mm(H).
- 2. BOX : CORRUGATED, SIZE: 350mm(L)X 279mm(W)X 195mm(H).
- 3. QUANTITY: SEE TABLE.

| GROSS WEIGHT | NET WEIGHT | PCS /TRAY | TRAYS /BOX | PCS /BOX | POS. | NO. OF BOARDLOCK |
|--------------|------------|-----------|------------|----------|------|------------------|
| 5.94 | 4.34 | 80 | 10 | 800 | 24 | 2 |
| 5.93 | 4.33 | 100 | 10 | 1000 | 20 | |
| 5.53 | 3.93 | 100 | 10 | 1000 | 18 | |
| 5.85 | 4.25 | 120 | 10 | 1200 | 16 | |
| 6.00 | 4.40 | 140 | 10 | 1400 | 14 | |
| 5.98 | 4.38 | 160 | 10 | 1600 | 12 | |
| 5.81 | 4.21 | 180 | 10 | 1800 | 10 | |
| 5.89 | 4.29 | 220 | 10 | 2200 | 8 | |
| 5.94 | 4.34 | 280 | 10 | 2800 | 6 | |
| 5.78 | 4.18 | 360 | 10 | 3600 | 4 | |
| 5.92 | 4.32 | 80 | 10 | 800 | 24 | 1 |
| 5.90 | 4.30 | 100 | 10 | 1000 | 20 | |
| 6.28 | 4.68 | 120 | 10 | 1200 | 18 | |
| 5.95 | 4.35 | 140 | 10 | 1400 | 14 | |
| 5.94 | 4.34 | 160 | 10 | 1600 | 12 | |
| 6.22 | 4.62 | 200 | 10 | 2000 | 10 | |
| 6.21 | 4.61 | 240 | 10 | 2400 | 8 | |
| 6.16 | 4.56 | 300 | 10 | 3000 | 6 | |
| 6.35 | 4.75 | 420 | 10 | 4200 | 4 | |
| 5.90 | 4.30 | 80 | 10 | 800 | 24 | |
| 5.87 | 4.27 | 100 | 10 | 1000 | 20 | |
| 6.24 | 4.64 | 120 | 10 | 1200 | 18 | |
| 5.91 | 4.31 | 140 | 10 | 1400 | 14 | |
| 6.42 | 4.82 | 180 | 10 | 1800 | 12 | |
| 6.16 | 4.56 | 200 | 10 | 2000 | 10 | |
| 6.51 | 4.91 | 260 | 10 | 2600 | 8 | |
| 6.67 | 5.07 | 340 | 10 | 3400 | 6 | |
| 6.88 | 5.28 | 480 | 10 | 4800 | 4 | |

THIS DRAWING IS A CONTROLLED DOCUMENT.

| | | | |
|----------------|--|----------------------------------------|--------|
| DIMENSIONS: mm | | TOLERANCES UNLESS OTHERWISE SPECIFIED: | |
| | | 0 PLC | ± - |
| | | 1 PLC | ± 0.3 |
| | | 2 PLC | ± 0.2 |
| | | 3 PLC | ± 0.15 |
| MATERIAL | | FINISH | |
| | | 4 PLC ANGLES ± 3° | |

DWN _____
 CHK _____
 APVD _____
 PRODUCT SPEC _____
 APPLICATION SPEC _____
 WEIGHT _____
 CUSTOMER DRAWING _____

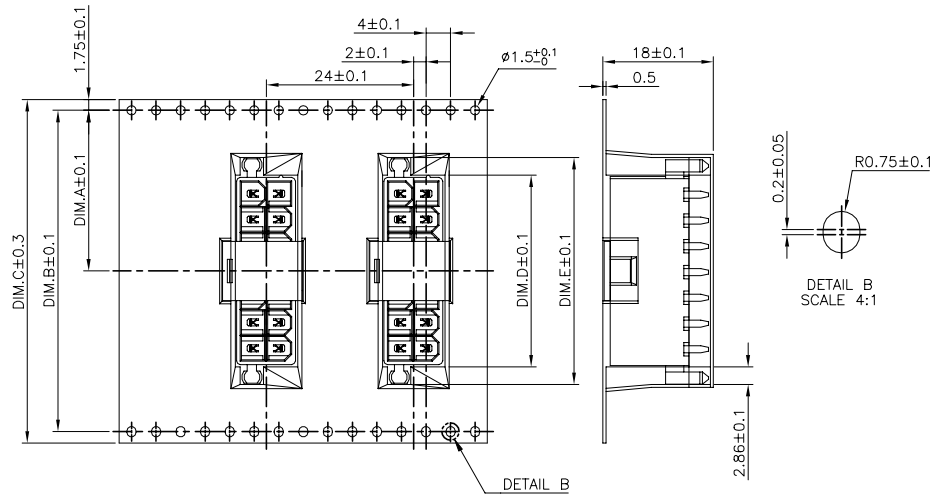
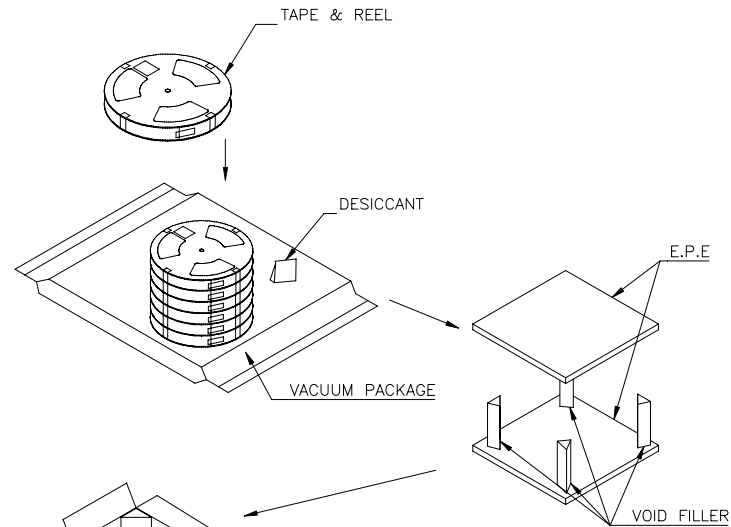
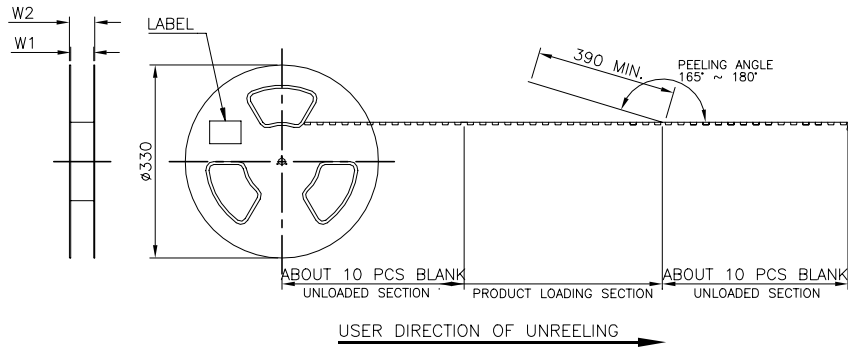
STE TE Connectivity

ATX POWER CONNECTOR
 4.2mm PITCH, VERTICAL, DIP TYPE

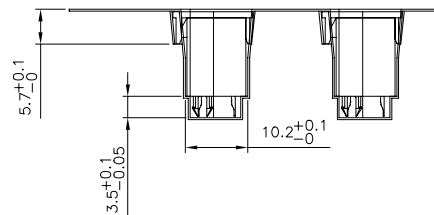
SIZE: A3 CAGE CODE: 00779 DRAWING NO: C=1775099 RESTRICTED TO: _____

SCALE: _____ SHEET: 6 OF 7 REV: J

| LOC | DIST | REVISIONS | | | |
|-----|------|--------------|------|-----|------|
| P | LTR | DESCRIPTION | DATE | DWN | APVD |
| DW | | SEE SHEET 1. | | | |



- NOTES:
- MATERIAL:
 BOX: FIBREBOARD, CORRUGATED, DOUBLE WALL.
 COVER TAPE: PET, TRANSPARENT COLOR.
 CARRIER TAPE: POLYSTYRENES, BLACK COLOR.
 REEL: POLYSTYRENES, BLUE COLOR.
 BAG: POLYETHYLENE.
 - PEELING STRENGTH: 0.1 ~ 1.3 N (10 ~ 130 GRAMS)
 - PEELING SPEED: 300 mm/min.
 - EACH BAG SHALL BE INCLUDED DESICCANT.



| | | | | | | | | | | | | | |
|------|------|--------|--------|--------|--------|--------|--------------|------------|-----------|-----------|----------|------|-------------|
| 60.4 | 56.4 | 37.0 | 31.28 | 56.0 | 52.4 | 26.2 | 5.7 KG | 2.40 KG | 140 | 5 | 700 | 14 | 6-1775099-9 |
| W2 | W1 | DIM. E | DIM. D | DIM. C | DIM. B | DIM. A | GROSS WEIGHT | NET WEIGHT | PCS/ REEL | REEL/ BOX | PCS/ BOX | POS. | PART NUMBER |

THIS DRAWING IS A CONTROLLED DOCUMENT.

| | | | |
|-------------------|-------------------------------------------------------------------------------------------------------------------------------|--------------------------------------------------------------------------------------|--------------------------------------------------------------------------------------------------|
| DIMENSIONS: mm | TOLERANCES UNLESS OTHERWISE SPECIFIED: 0 PLC ± - 1 PLC ± 0.3 2 PLC ± 0.2 3 PLC ± 0.15 4 PLC ± - ANGLES ± 3' | DWN CHK APVD PRODUCT SPEC APPLICATION SPEC WEIGHT CUSTOMER DRAWING | TE Connectivity ATX POWER CONNECTOR 4.2mm PITCH, VERTICAL, DIP TYPE |
| MATERIAL | FINISH | SIZE A3 | CAGE CODE 00779 DRAWING NO C=1775099 RESTRICTED TO SCALE SHEET 7 OF 7 REV J |

单击下面可查看定价，库存，交付和生命周期等信息

[>>TE Connectivity\(泰科\)](#)