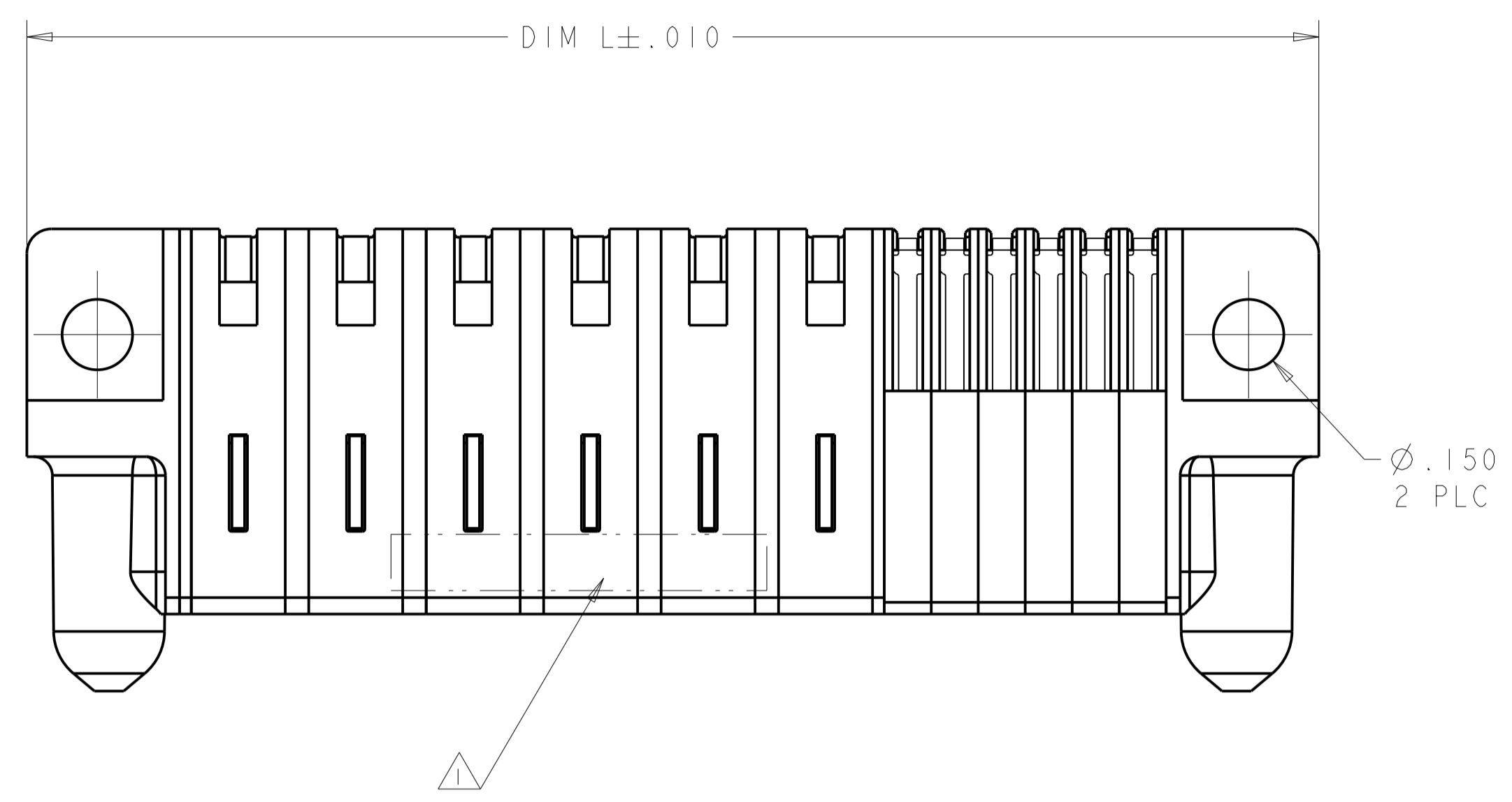
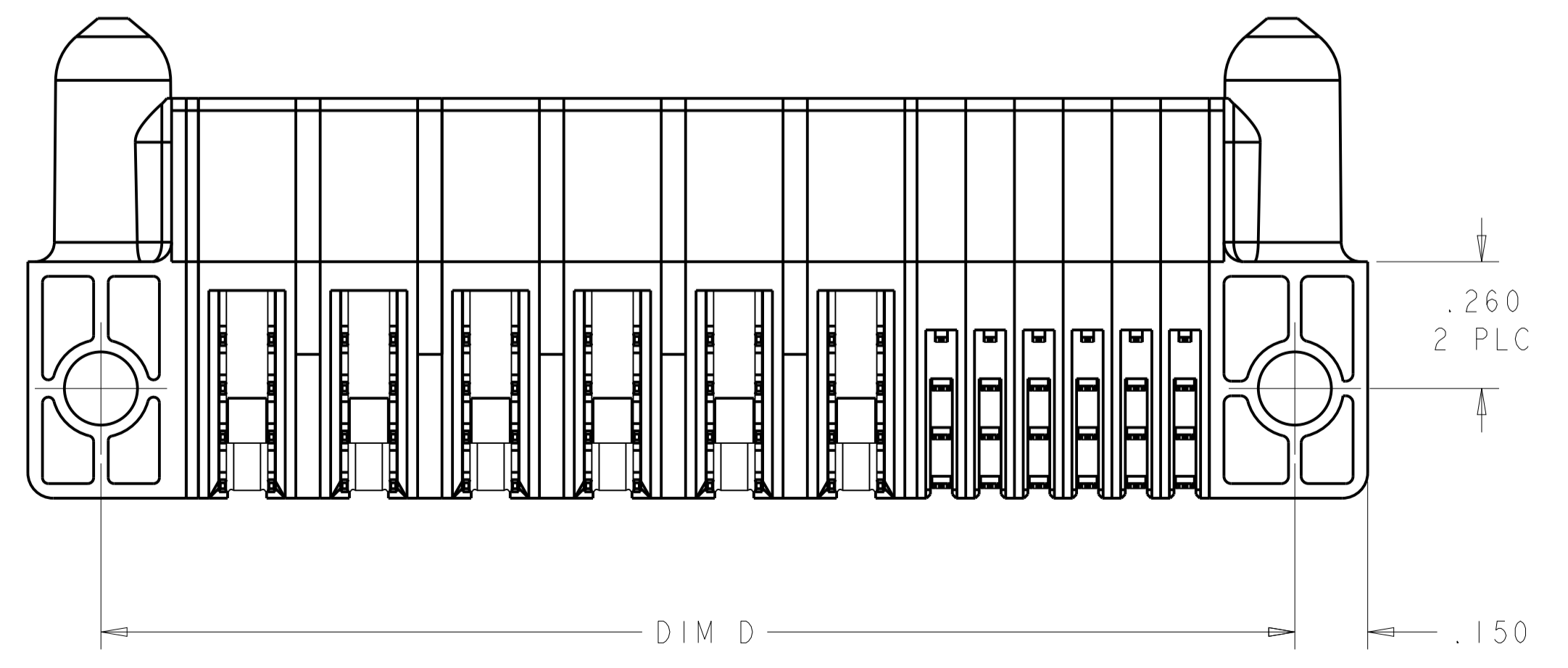
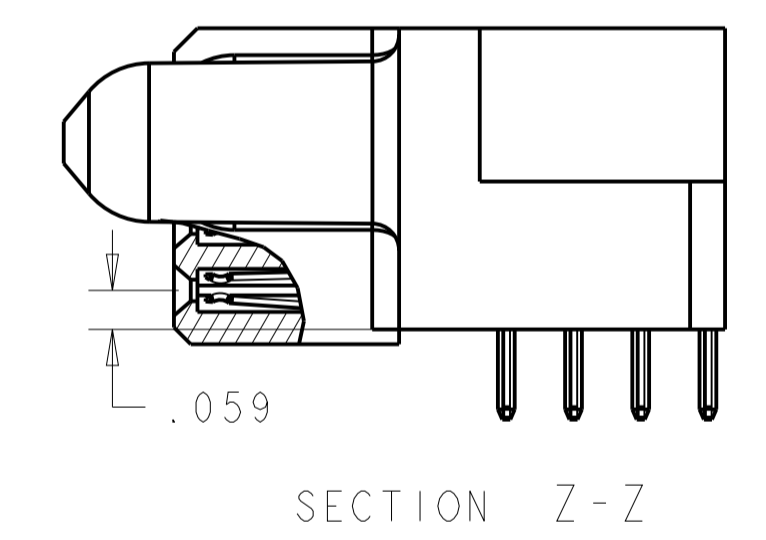
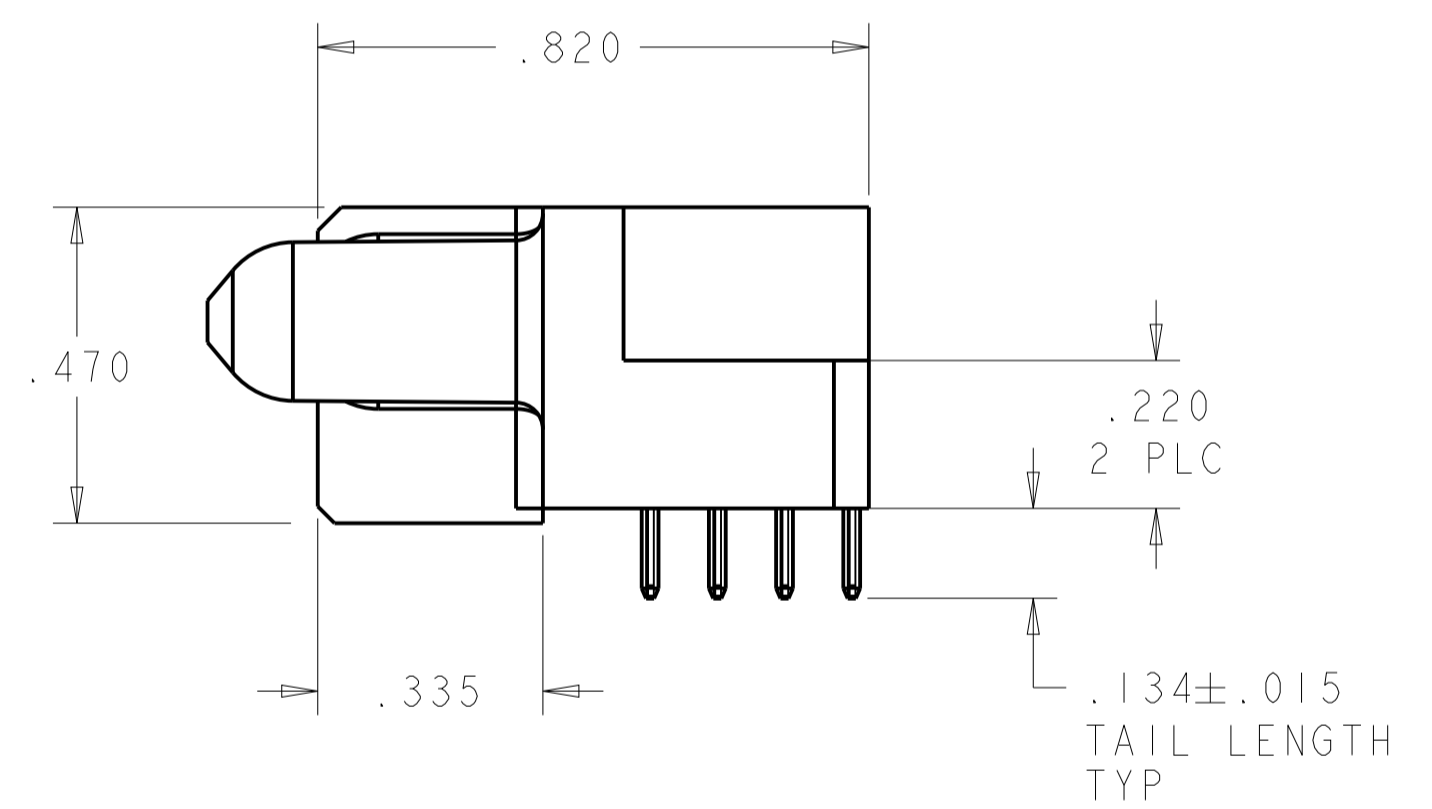
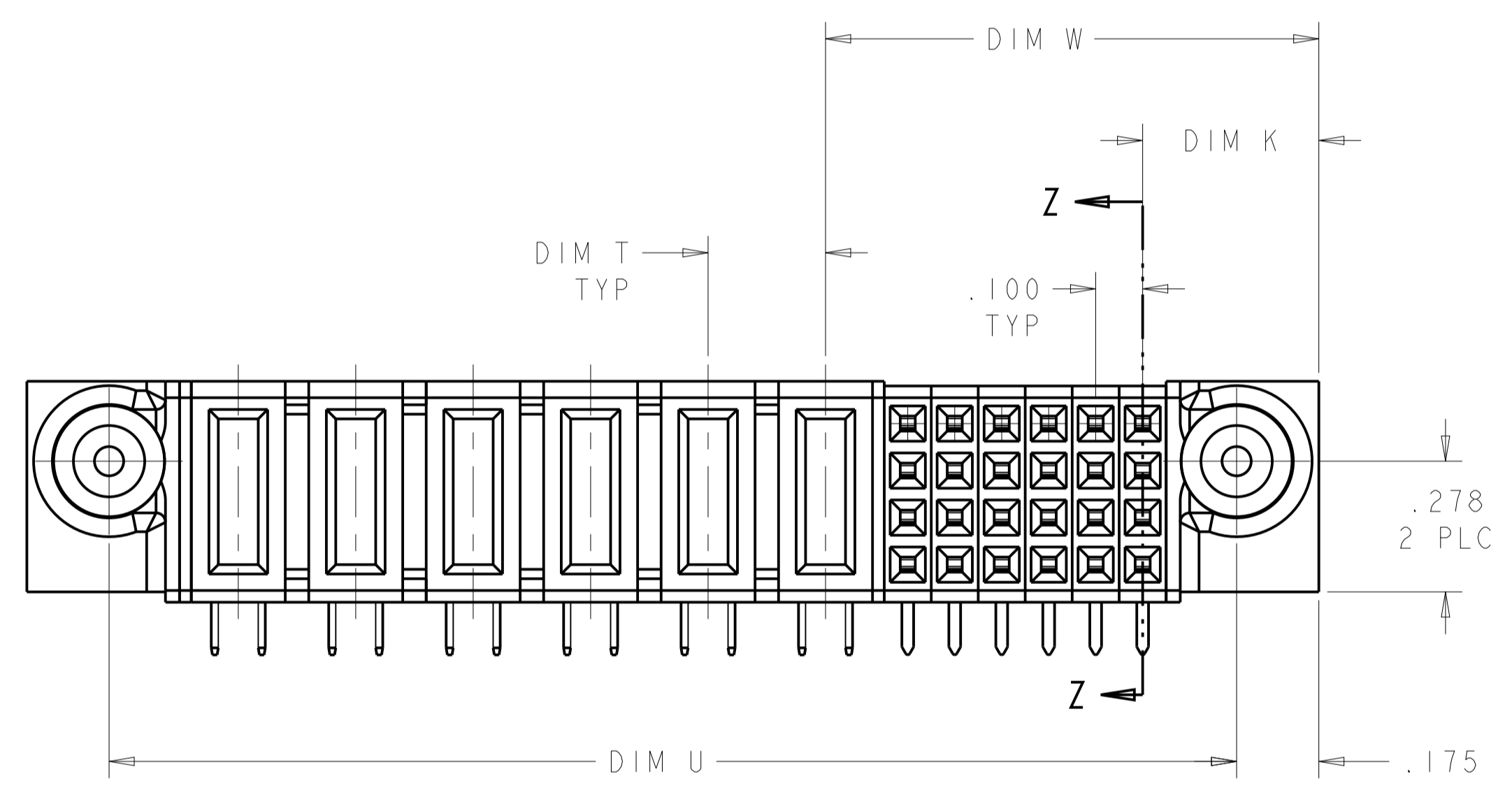


LOC		DIST		REVISIONS			
ES	00	P	LTN	DESCRIPTION	DATE	DWN	APVD
		A7		REVISE -6	17SEP2014	AL	SZ



- 1 "AMP", PART NUMBER AND DATE CODE TO BE MARKED IN AREA SHOWN.
- 2 MATERIAL: HOUSING - GLASS FILLED HIGH TEMP THERMO PLASTIC, UL94 V-0.
SIGNAL CONTACT - HIGH CONDUCTIVITY COPPER ALLOY
POWER CONTACT - HIGH CONDUCTIVITY COPPER ALLOY
- 3 CONTACT PLATING: NOBLE METAL PLATING ON CONTACT FUNCTIONAL AREA OF POWER AND SIGNAL CONTACTS
- 4 MECHANICAL CONNECTOR KEEP OUT ZONE.
- 5 DATUM AND BASIC DIMENSIONS ESTABLISHED BY CUSTOMER.
- 6 PCB - ALL HOLE DIAMETERS ARE FINISHED HOLE SIZES
- 7 PCB - .0453±.0010 DRILLED HOLES PLATED WITH .0003 MIN Sn OVER .001 TO .003 Cu PLATING TO ACHIEVE A .040 DIAMETER HOLE



DIM D	DIM U	DIM T	DIM W	DIM K	DIM L	DESCRIPTION	PART NUMBER
1.750	1.700	-	-	.375	2.050	56S	6450361-6
1.650	1.600	.250	0.750	.375	1.950	12S + 4P	6450361-5
6.050	6.000	.250	1.650	.375	6.350	48S + 18P	6450361-4
1.350	1.300	.250	.950	.375	1.650	20S + 2P	6450361-3
2.450	2.400	.250	1.050	.375	2.750	24S + 6P	6450361-1

THIS DRAWING IS A CONTROLLED DOCUMENT. DWN C.ZHOU 26FEB2009
 CHK S.ZHAO 26FEB2009
 APVD S.ZHAO

DIMENSIONS: INCHES
 TOLERANCES UNLESS OTHERWISE SPECIFIED:
 0 PLC ±.
 2 PLC ±.01
 3 PLC ±.005
 4 PLC ±.0020
 ANGLES ±.0°

MATERIAL FINISH

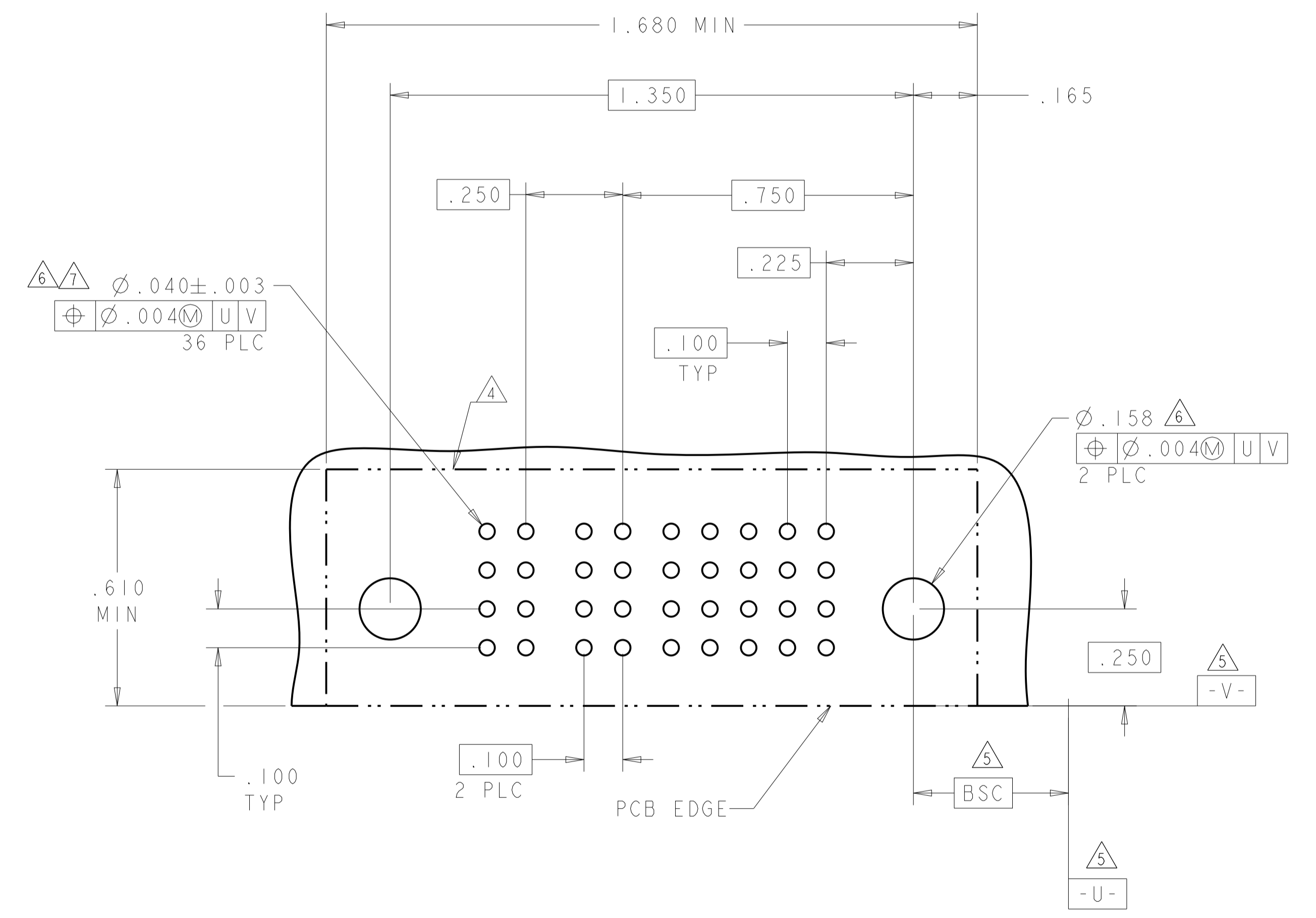
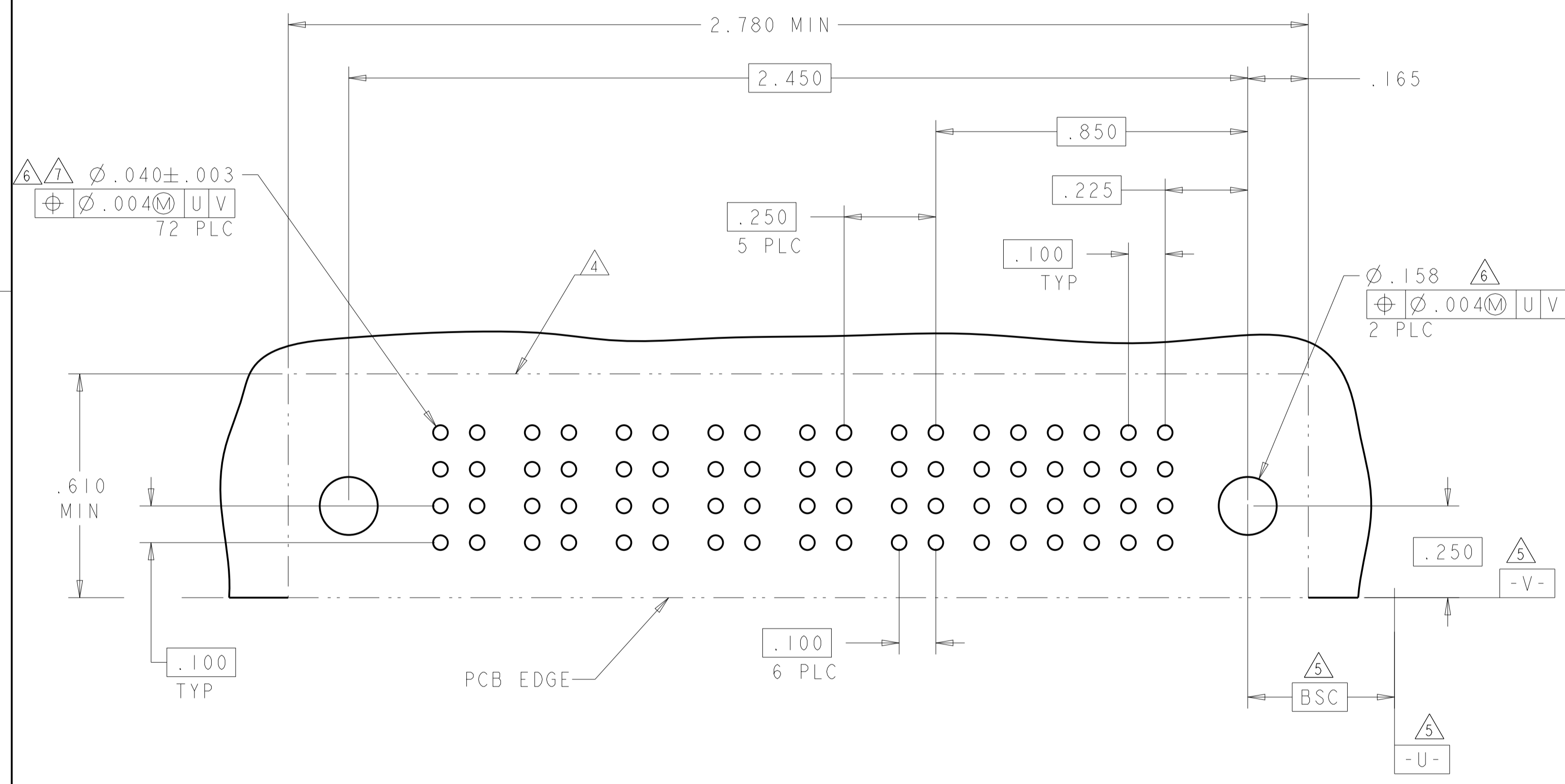
Customer Drawing

TE Connectivity
 NAME: RIGHT ANGLE RECEPTACLE ASSEMBLY WITH GUIDES, SOLDER TYPE MULTI-BEAM XL
 PRODUCT SPEC: 108-1973
 APPLICATION SPEC: 114-13038
 SIZE: A1
 CAGE CODE: 6450361
 DRAWING NO: 100779
 SCALE: 4:1
 SHEET: 1 OF 4
 REV: A7

LOC	DIST	REVISIONS			
ES	00	REV	DATE	BY	APPV
		1	SEE SHEET 1		

PART NUMBER	ROWS	POWER						SIGNAL					
		P6	P5	P4	P3	P2	P1	6	5	4	3	2	1
6450361-1	D C B A	RM	RM	RM	RM	RM	RM	H	H	H	H	H	H
								G	G	G	G	G	G
								F	F	F	F	F	F
								E	E	E	E	E	E
24S + 6P													

PART NUMBER	ROWS	POWER		SIGNAL				
		P2	P1	5	4	3	2	1
6450361-3	D C B A	RM	RM	H	H	H	H	H
				G	G	G	G	G
				F	F	F	F	F
				E	E	E	E	E
20S + 2P								



CODE	DESCRIPTION	ROW
H	SIGNAL CONTACT	D
G	SIGNAL CONTACT	C
F	SIGNAL CONTACT	B
E	SIGNAL CONTACT	A
RM	POWER CONTACT, STD	-
CONTACT		

THIS DRAWING IS A CONTROLLED DOCUMENT.

STE TE Connectivity

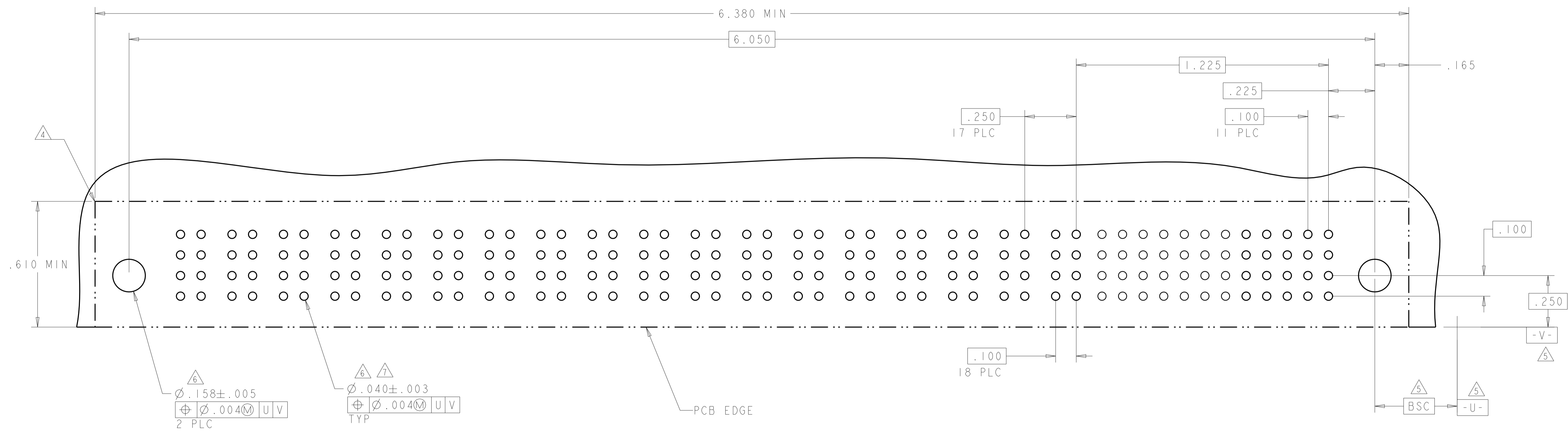
RIGHT ANGLE RECEPTACLE ASSEMBLY WITH GUIDES, SOLDER TYPE MULTI-BEAM XL

Customer Drawing

SCALE 4:1 SHEET 2 OF 4 REV A7

LOC	DIST	REVISIONS			
P	LTN	DESCRIPTION	DATE	DWN	APVD
-	-	SEE SHEET 1	-	-	-

PART NUMBER	ROWS	POWER																		SIGNAL										
		P18	P17	P16	P15	P14	P13	P12	P11	P10	P9	P8	P7	P6	P5	P4	P3	P2	P1	12	11	10	9	8	7	6	5	4	3	2
6450361-4	D C B A	RM	RM	RM	RM	RM	RM	RM	RM	RM	RM	RM	RM	RM	RM	RM	RM	RM	RM	H	H	H	H	H	H	H	H	H	H	H
		RM	RM	RM	RM	RM	RM	RM	RM	RM	RM	RM	RM	RM	RM	RM	RM	RM	RM	G	G	G	G	G	G	G	G	G	G	G
		RM	RM	RM	RM	RM	RM	RM	RM	RM	RM	RM	RM	RM	RM	RM	RM	RM	RM	F	F	F	F	F	F	F	F	F	F	F
		RM	RM	RM	RM	RM	RM	RM	RM	RM	RM	RM	RM	RM	RM	RM	RM	RM	RM	E	E	E	E	E	E	E	E	E	E	E
48S + 18P																														



$\phi .158 \pm .005$
 $\phi .004 \text{ (M)}$ U V
 2 PLC

$\phi .040 \pm .003$
 $\phi .004 \text{ (M)}$ U V
 TYP

THIS DRAWING IS A CONTROLLED DOCUMENT.

DIMENSIONS: INCHES
 TOLERANCES UNLESS OTHERWISE SPECIFIED:
 0 PLC ±
 1 PLC ±.01
 2 PLC ±.01
 3 PLC ±.005
 4 PLC ±.0020
 ANGLES ±.5°

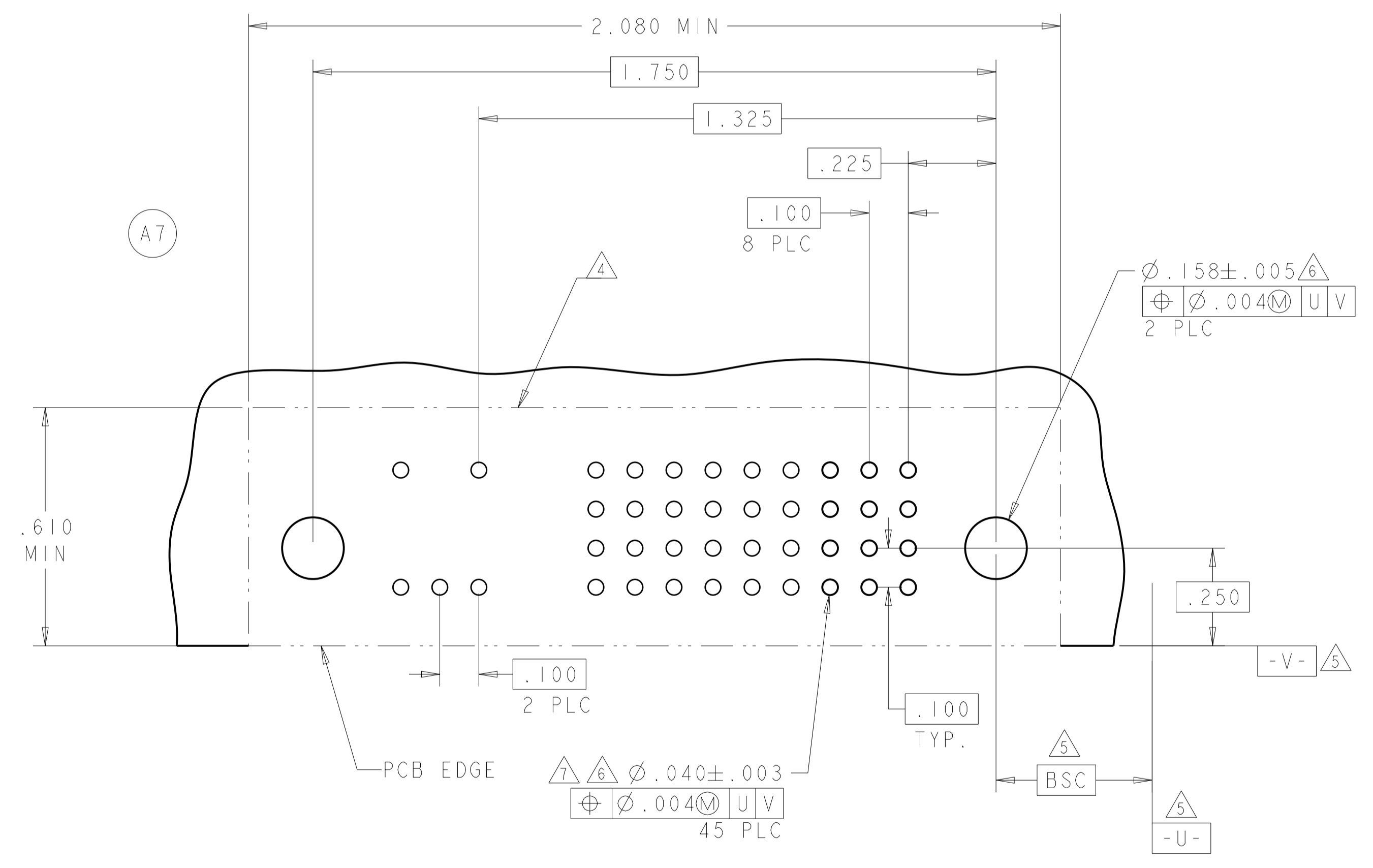
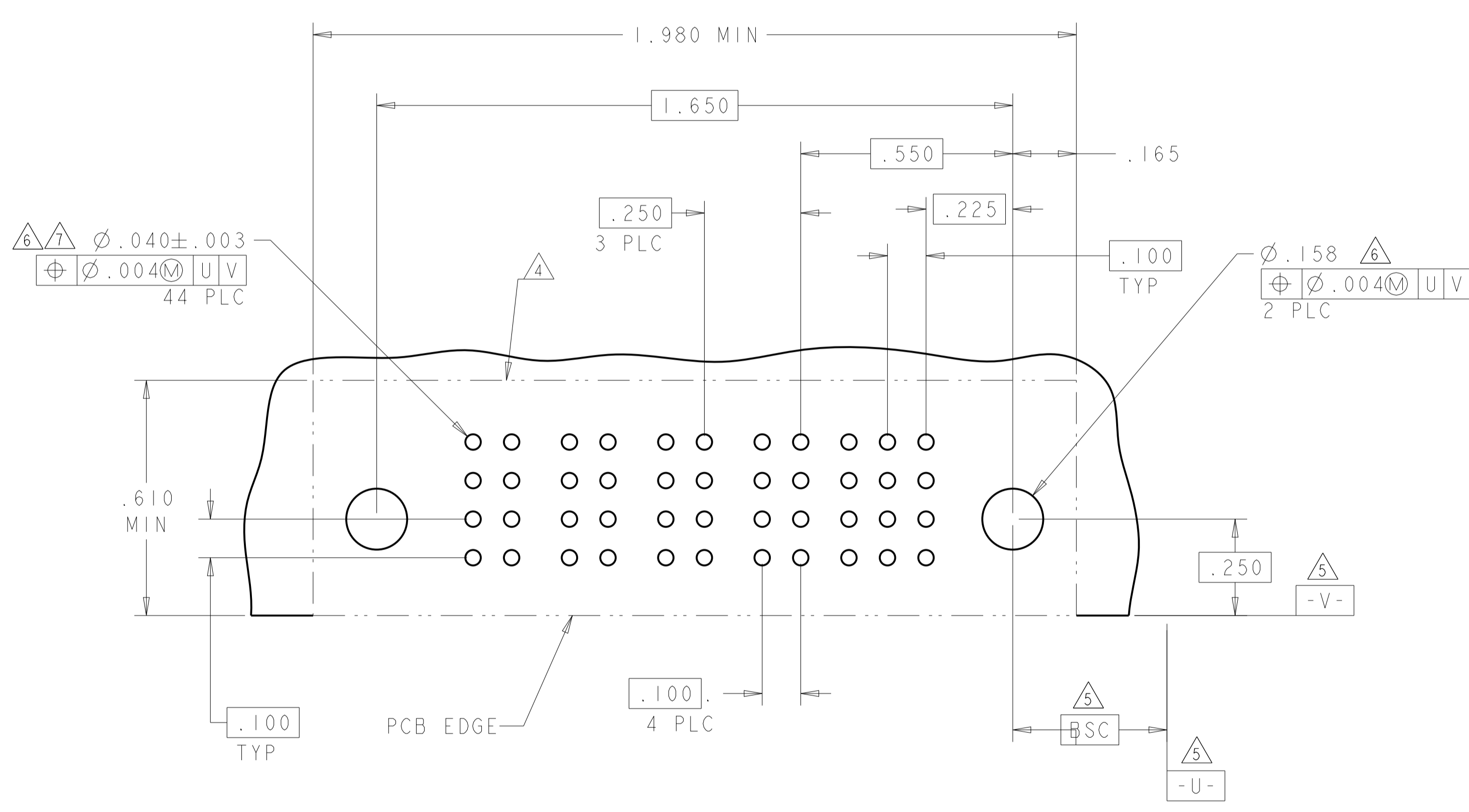
DWN: C. ZHOU 26FEB2009
 CHK: S. ZHAO 26FEB2009
 APVD: S. ZHAO

STE TE Connectivity
 NAME: RIGHT ANGLE RECEPTACLE ASSEMBLY WITH GUIDES, SOLDER TYPE MULTI-BEAM XL
 PRODUCT SPEC: 108-1973
 APPLICATION SPEC: 114-13038
 SIZE: A1
 CAGE CODE: 100779
 DRAWING NO: 6450361
 WEIGHT: -
 FINISH: -
 MATERIAL: -
 SCALE: 4:1
 SHEET: 3 OF 4
 REV: A7

LOC	DIST	REV	DATE	BY	APPV
ES	00				
		REVISIONS			
		DESCRIPTION	DATE	BY	APPV
		SEE SHEET 1			

PART NUMBER	ROWS	POWER				SIGNAL		
		P4	P3	P2	P1	3	2	1
6450361-5	D C B A	RM	RM	RM	RM	H	H	H
						G	G	G
						F	F	F
						E	E	E
12S + 4P								

PART NUMBER	ROWS	SIGNAL														
		14	13	12	11	10	9	8	7	6	5	4	3	2	1	
6450361-6	D C B A	H	H			H	H	H	H	H	H	H	H	H	H	H
						G	G	G	G	G	G	G	G	G	G	G
						F	F	F	F	F	F	F	F	F	F	F
						E	E	E	E	E	E	E	E	E	E	E
56S																



THIS DRAWING IS A CONTROLLED DOCUMENT.		OWN C. ZHOU CHK S. ZHAO	26FEB2009 26FEB2009	STE TE Connectivity
DIMENSIONS: INCHES		TOLERANCES UNLESS OTHERWISE SPECIFIED: 0 PLC ±. 2 PLC ±.01 3 PLC ±.005 4 PLC ±.0020 ANGLES ±.020		
MATERIAL		FINISH		NAME RIGHT ANGLE RECEPTACLE ASSEMBLY WITH GUIDES, SOLDER TYPE MULTI-BEAM XL
Customer Drawing		SIZE 114-13038	WEIGHT	RESTRICTED TO
SCALE 4:1		SHEET 4 OF 4		REV A7

单击下面可查看定价，库存，交付和生命周期等信息

[>>TE Connectivity\(泰科\)](#)