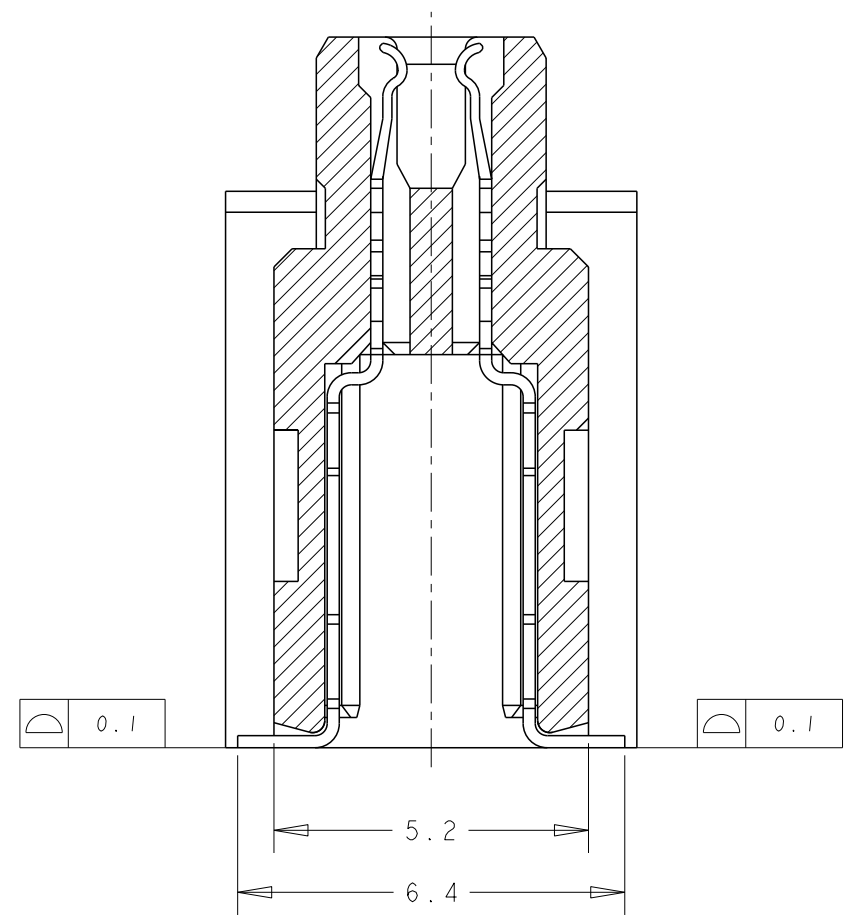
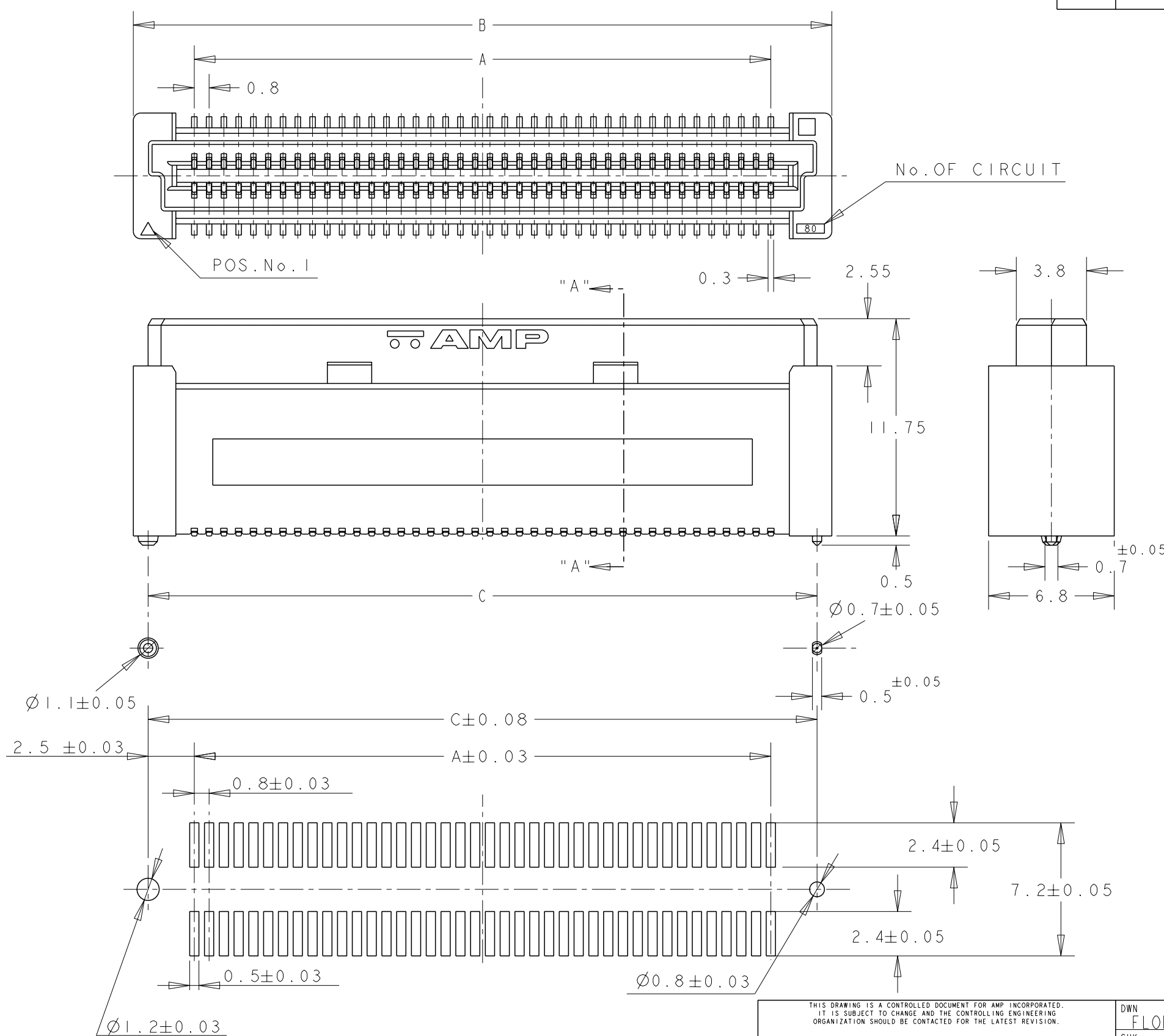


THIS DRAWING IS UNPUBLISHED. RELEASED FOR PUBLICATION .19
 BY AMP INCORPORATED. ALL RIGHTS RESERVED.

LOC DY	DIST -	REVISIONS		
P	LTR	DESCRIPTION	DATE	DWN I.T
		PI REVISED PER ECR-15-002052	11FEB2015	APVD W.H

PROJ NO. 593-312



SECT "A" - "A"
(SCALE: 8-1)

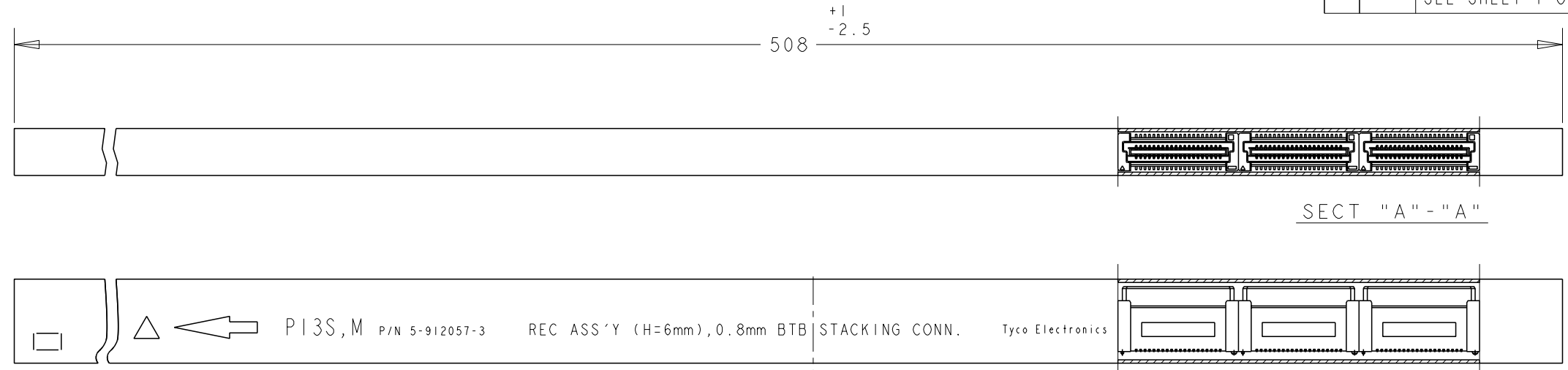
- NOTES:
- 1. MATERIALS:
HOUSING: L.C.P (HIGH TEMP THERMO-PLASTIC)
UL 94V-0, NATURAL.
CONTACT: COPPER ALLOY.
 - 2. FINISH:
ENGAGEMENT AREA: 0.0002 MIN GOLD
SOLDERING AREA: 0.0020 MIN MATTE TIN
UNDERCOAT: 0.0013 MIN NICKEL ALL OVER
 - 3. POSITION SERIES; SEE TABLE. (SHEET 2)
 - 4. CONN STACK HEIGHT COMBINE OF PLUG "Y"H VS REC "X"H.
STACK HEIGHT = Y + X - 5
 - 5. OBSOLETE PARTS: OBSOLETE CIS STREAMLINING PER D.RENAUD/D.SINISI

RECOMMENDED P.C.BOARD LAYOUT

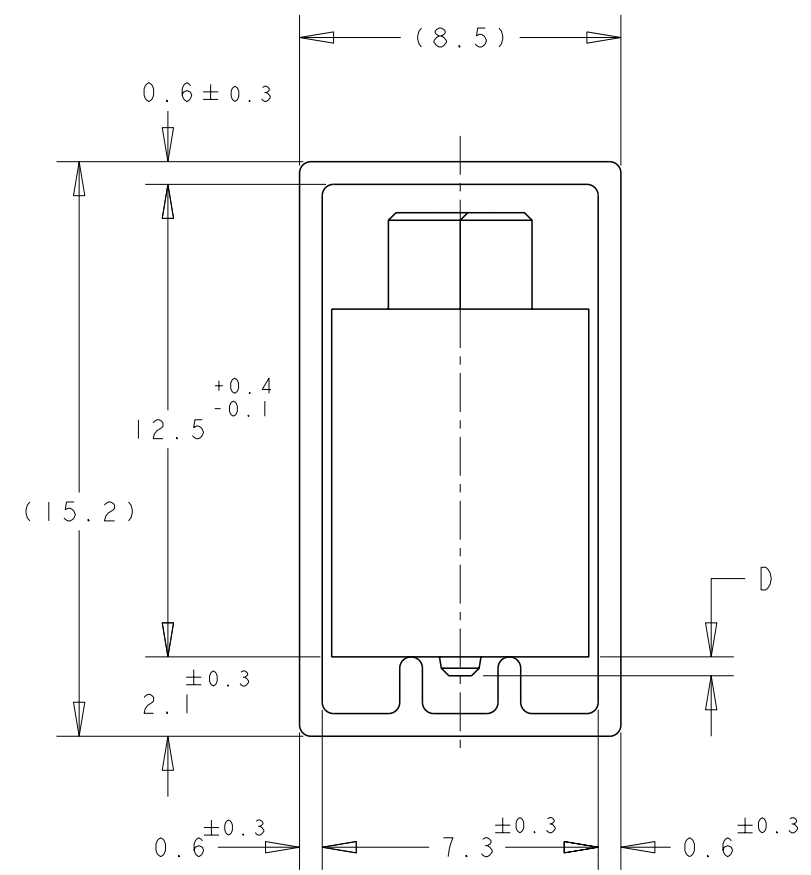
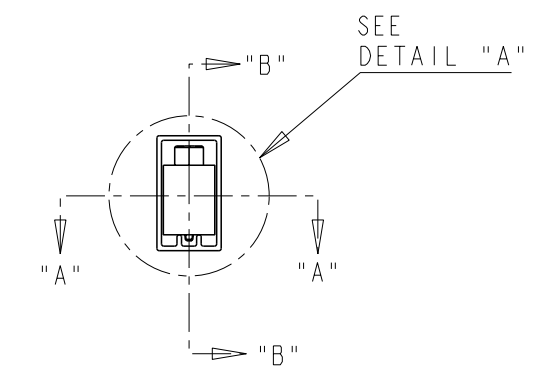
THIS DRAWING IS A CONTROLLED DOCUMENT FOR AMP INCORPORATED. IT IS SUBJECT TO CHANGE AND THE CONTROLLING ENGINEERING ORGANIZATION SHOULD BE CONTACTED FOR THE LATEST REVISION.		DWN FLORENCE 16AUG04	Tyco Electronics Corporation Singapore
DIMENSIONS: mm		CHK ERIC TNG	
TOLERANCES UNLESS OTHERWISE SPECIFIED: 0 PLC ±- 1 PLC ±0.30 2 PLC ±0.25 3 PLC ±0.20 4 PLC ±- ANGLES ±3°		APVD SE LEONG	NAME RECEPTACLE ASSEMBLY 13H TYPE FOR FH 0.8mm PITCH B-T-B CONNECTOR
MATERIAL		PRODUCT SPEC 108-5390	SIZE A3
FINISH		APPLICATION SPEC 114-5254	CAGE CODE 00779
1		WEIGHT -	DRAWING NO C-5179010
2		CUSTOMER DRAWING	SCALE 4:1 SHEET 1 OF 2 REV PI

THIS DRAWING IS UNPUBLISHED. RELEASED FOR PUBLICATION .19 .
 BY AMP INCORPORATED. ALL RIGHTS RESERVED.

LOC DY	DIST -	REVISIONS			
P	LTR	DESCRIPTION	DATE	DWN	APVD
-	-	SEE SHEET 1 OF 2	-	-	-



PI3S, M P/N 5-912057-3 REC ASS'Y (H=6mm), 0.8mm BTB STACKING CONN. Tyco Electronics



DETAIL "A"
(SCALE 5-1)

	84.20	85.80	79.20	200	6-	-0
	76.20	77.80	71.20	180	5-	-9
	68.20	69.80	63.20	160	5-	-8
	60.20	61.80	55.20	140	5-	-6
	52.20	53.80	47.20	120	5-	-5
	44.20	45.80	39.20	100	5-	-4
	36.20	37.80	31.20	80	5-	-3
	28.20	29.80	23.20	60	5-	-2
0.5	20.20	21.80	15.20	40	5-	-1
	84.20	85.80	79.20	200	1-	-0
5 OBSOLETE	76.20	77.80	71.20	180		-9
	68.20	69.80	63.20	160		-8
	60.20	61.80	55.20	140		-6
	52.20	53.80	47.20	120		-5
	44.20	45.80	39.20	100		-4
	36.20	37.80	31.20	80		-3
	28.20	29.80	23.20	60		-2
0.8	20.20	21.80	15.20	40		5179010-1
D	C	B	A	POS.	PART No.	

THIS DRAWING IS A CONTROLLED DOCUMENT FOR AMP INCORPORATED. IT IS SUBJECT TO CHANGE AND THE CONTROLLING ENGINEERING ORGANIZATION SHOULD BE CONTACTED FOR THE LATEST REVISION.		DWN FLORENCE TAN 16AUG04	STE Tyco Electronics Corporation Singapore
DIMENSIONS: mm		CHK ERIC TNG	
TOLERANCES UNLESS OTHERWISE SPECIFIED: 0 PLC ±- 1 PLC ±0.30 2 PLC ±0.25 3 PLC ±0.20 4 PLC ±- ANGLES ±3°		APVD SE LEONG	NAME RECEPTACLE ASSEMBLY 13H TYPE FOR FH 0.8mm PITCH B-T-B CONNECTOR
MATERIAL		PRODUCT SPEC 108-5390	
FINISH		APPLICATION SPEC 114-5254	SIZE A3
		WEIGHT -	CAGE CODE 00779
		CUSTOMER DRAWING	DRAWING NO C-5179010
			SCALE 4:1 SHEET 2 OF 2 REV PI

单击下面可查看定价，库存，交付和生命周期等信息

[>>TE Connectivity\(泰科\)](#)