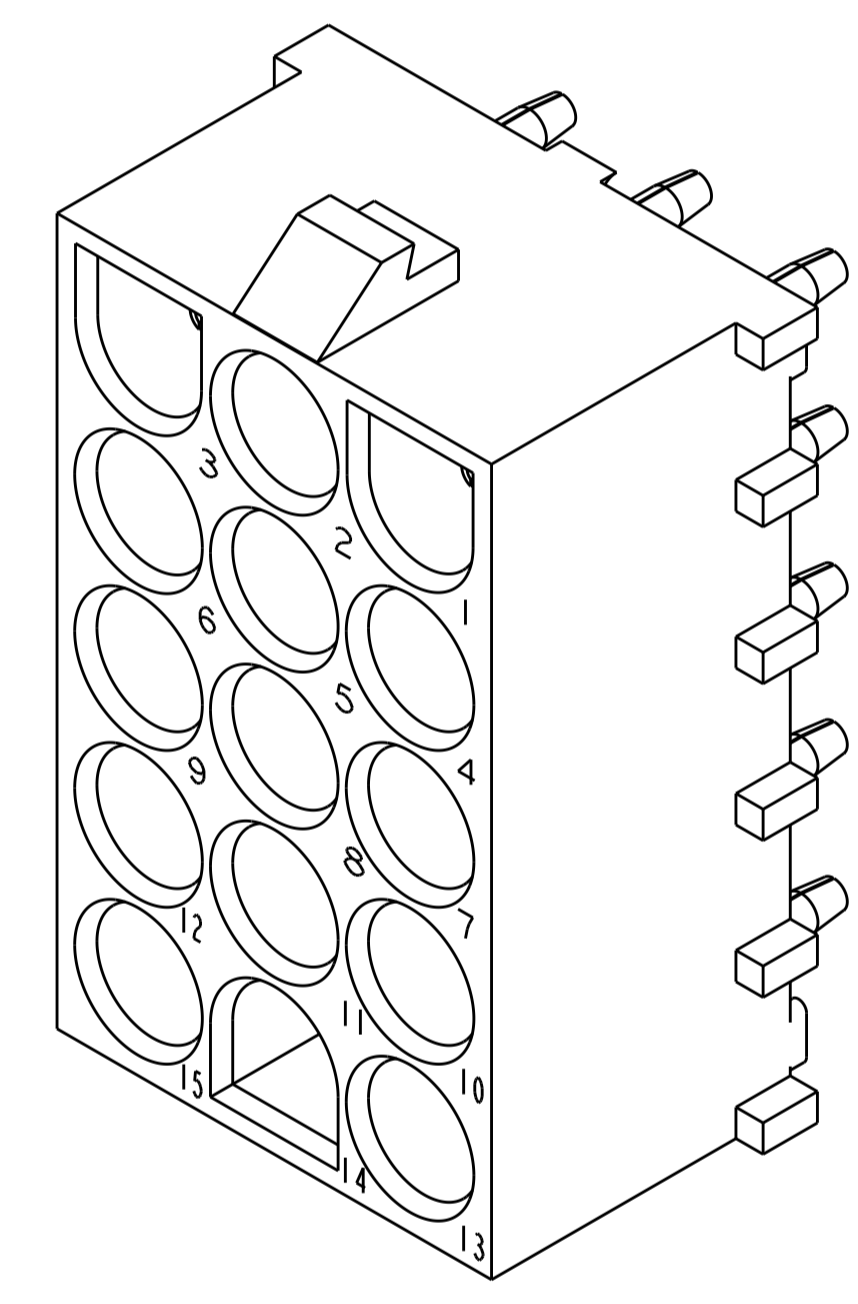
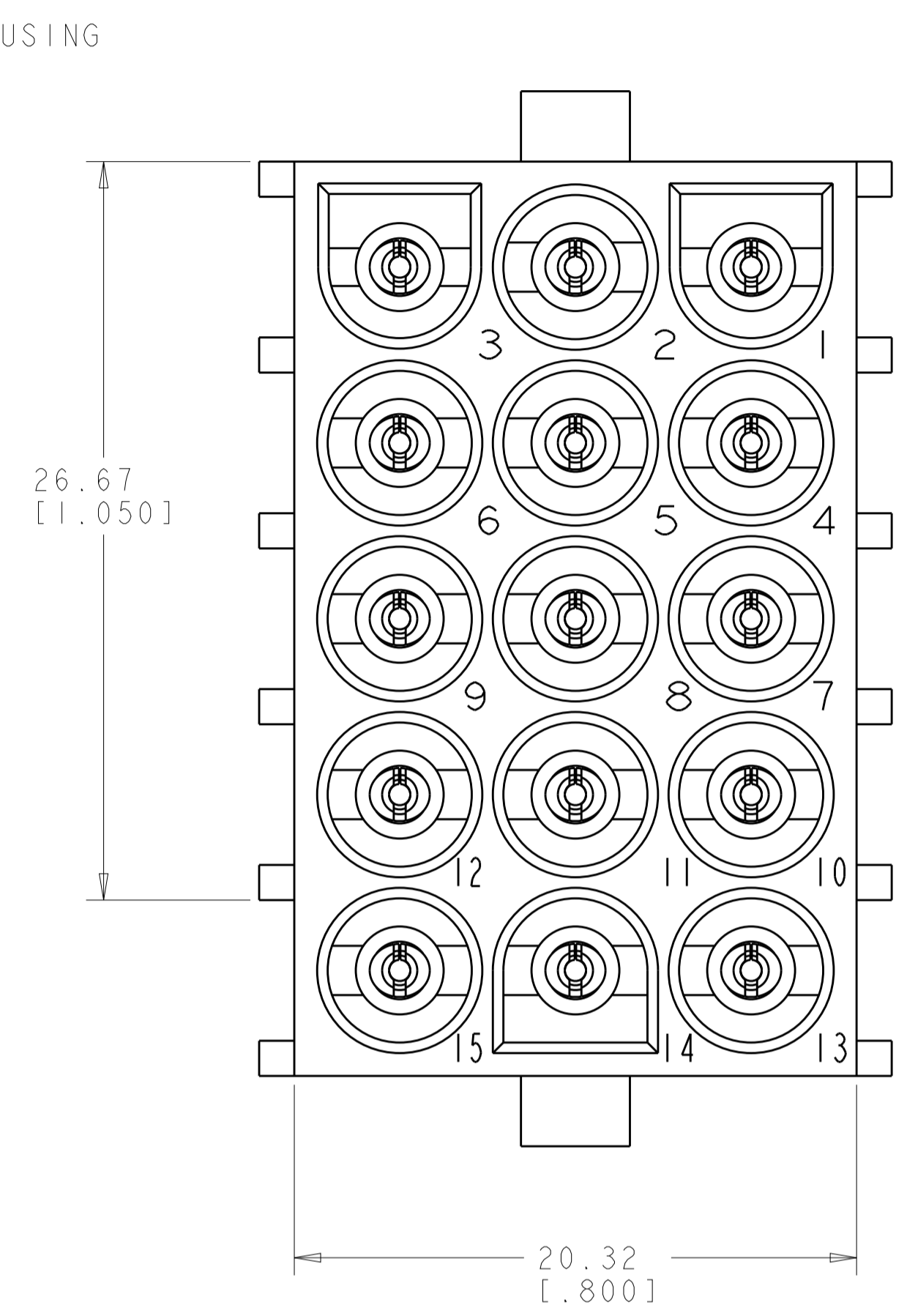
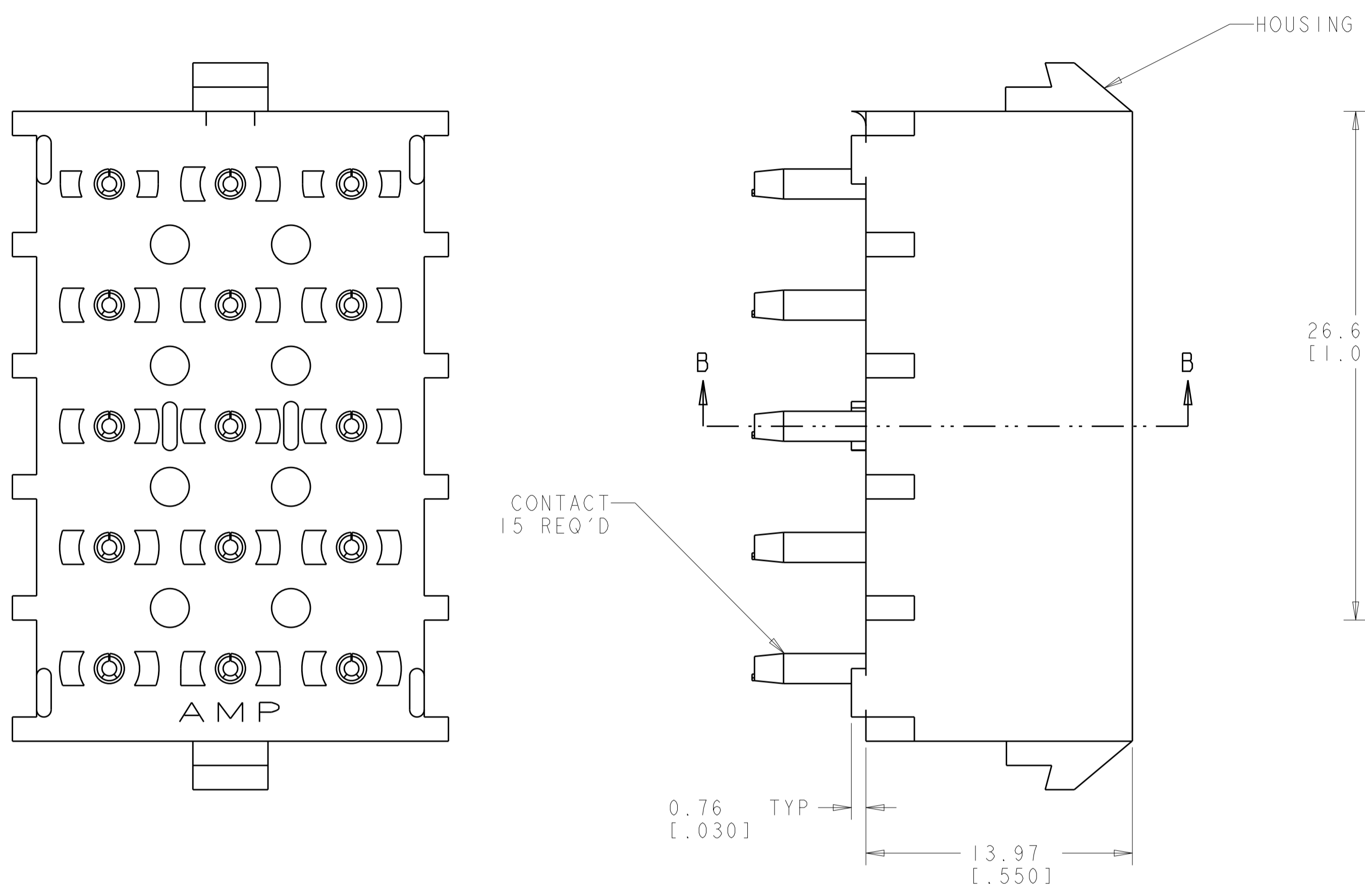
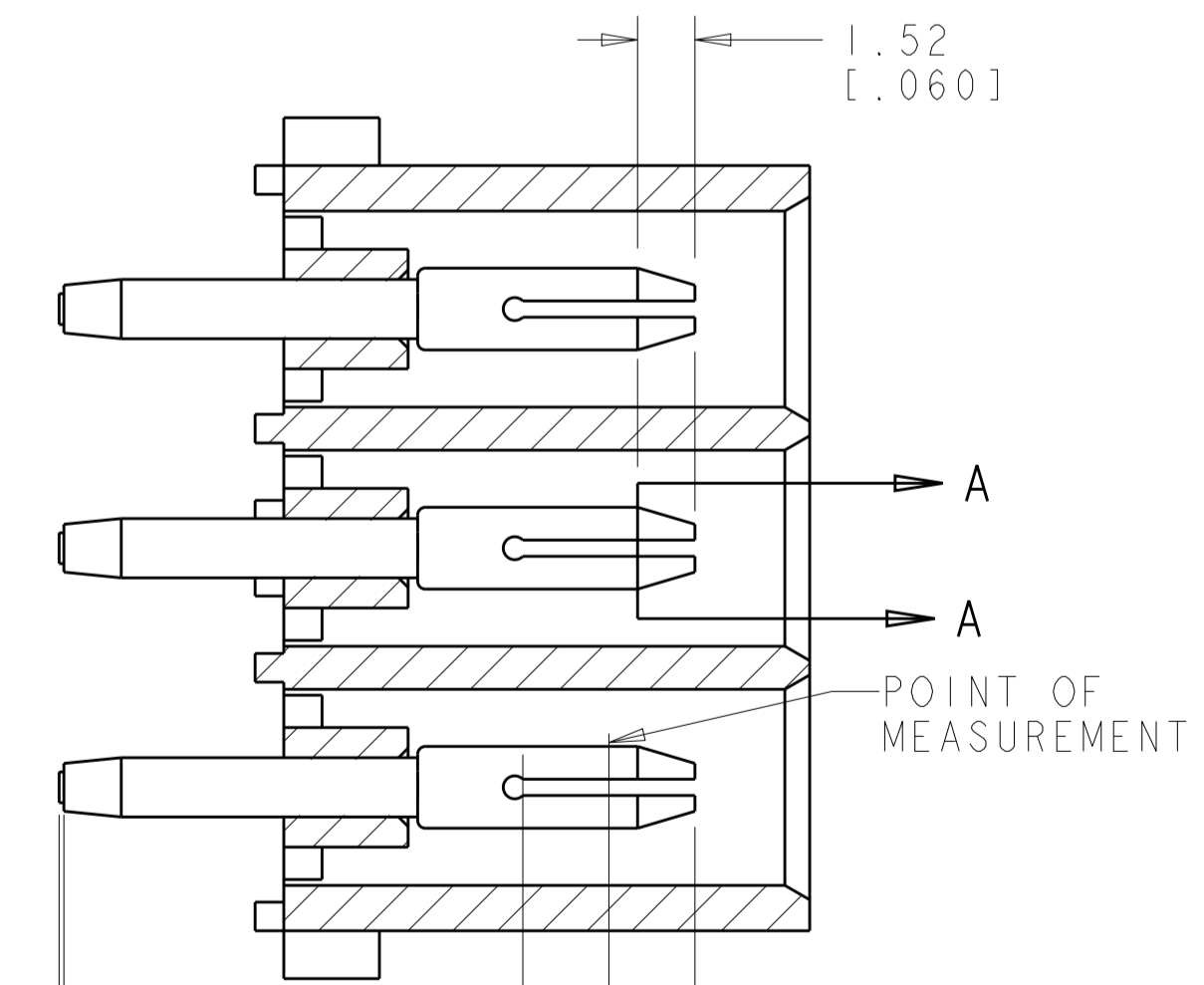
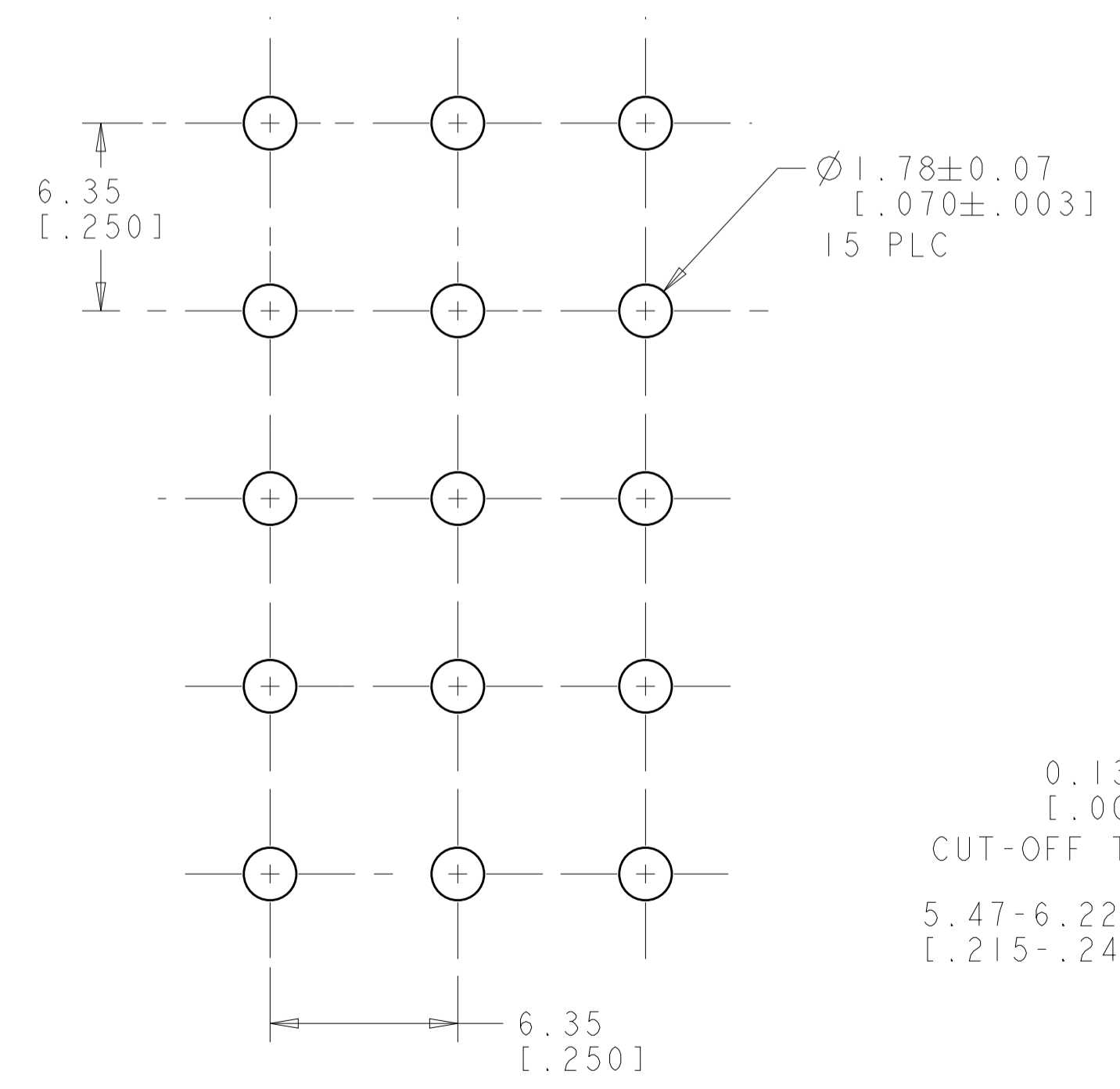


LOC	DIST	REV	DATE	BY	APPV
CM	00	M2	24JAN2013	KH	TM

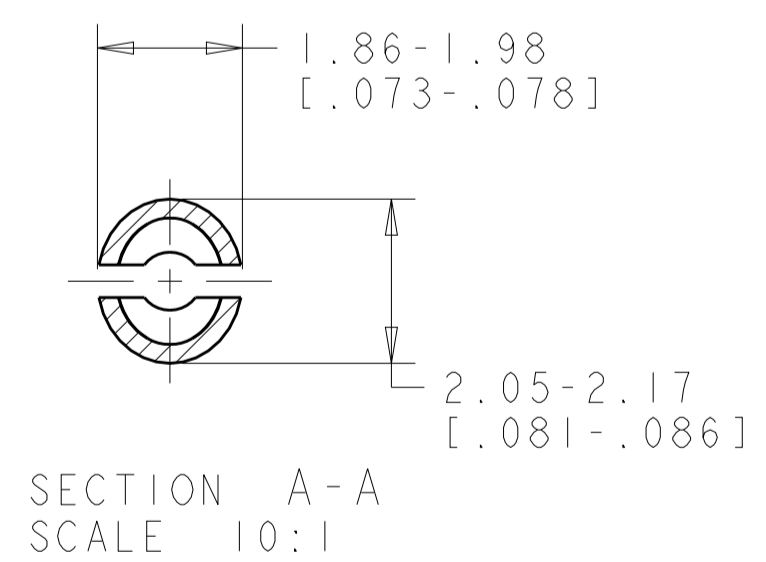
- MATES WITH HOUSING 350736.
- PARTS COMPLY TO AMP SOLDERABILITY SPECIFICATION 109-11-3.
- CONTACT IS PLATED OVERALL WITH 0.00127 [.000050] NICKEL, THEN 0.00076 [.000030] GOLD OVER CONTACT LENGTH INDICATED AND TIN LEAD ON SOLDER TAIL END.
- CIRCUIT IDENTIFICATION CHARACTERS ARE ADJACENT TO THE INDICATED CAVITIES, BUT LOCATION AND ORIENTATION MAY DIFFER FROM PRINT.
- CONTACT IS PLATED OVERALL WITH 0.00127 [.000050] NICKEL, THEN 0.00076 [.000030] GOLD OVER CONTACT LENGTH INDICATED AND MATTE TIN ON SOLDER TAIL END.
- DIMENSIONS IN BRACKETS ARE IN INCHES.
- SUPERSEDED BY 350738-4



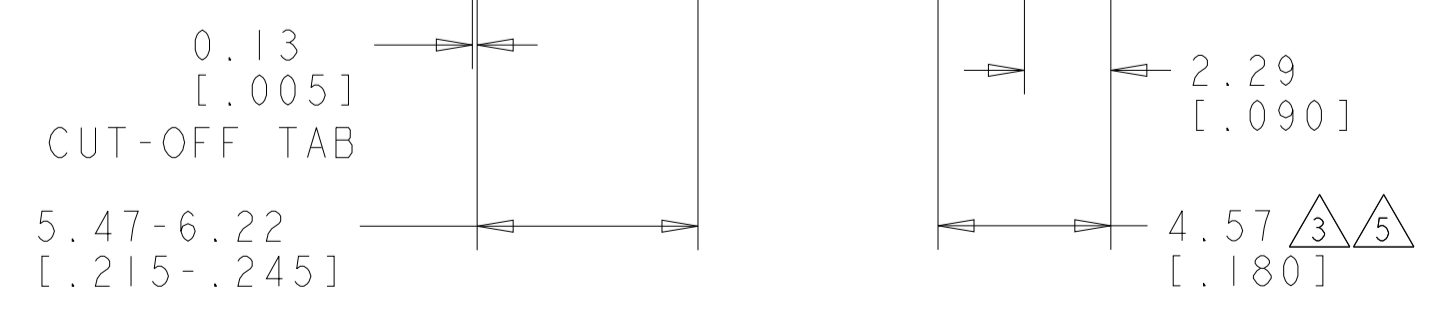
3 DIMENSIONAL MODEL
SCALE 4:1



SECTION B-B

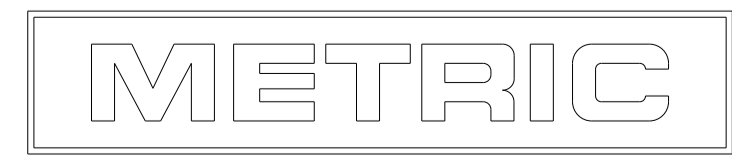


SECTION A-A
SCALE 10:1



PIN CONTACT MATERIAL AND FINISH	HOUSING MATERIAL AND COLOR	PART NUMBER
PHOSPOR BRONZE, GOLD	NYLON, UL94V-0, NATURAL	350738-4
PHOSPOR BRONZE, GOLD	NYLON, UL94V-0, NATURAL	350738-2
PHOSPOR BRONZE, PRE-TIN	NYLON, UL94V-0, NATURAL	350738-1

RECOMMENDED MOUNTING HOLE PATTERN FOR 1.57 [.062] THICK P.C. BOARD HOLE THAT CORRESPONDS TO REMOVED CONTACT CAN BE OMITTED



THIS DRAWING IS A CONTROLLED DOCUMENT.

DIMENSIONS: mm [INCHES]	TOLERANCES UNLESS OTHERWISE SPECIFIED:	0 PLC ± .013 [.005]	1 PLC ± .013 [.005]	2 PLC ± .013 [.005]	3 PLC ± .013 [.005]	4 PLC ± .013 [.005]	5 PLC ± .013 [.005]
MATERIAL: SEE TABLE	FINISH: SEE TABLE	ANGLES: 40°/30°	WEIGHT: -	SIZE: A1	CAGE CODE: 350738	DRAWING NO: 050CT2005	REV: M2

TE Connectivity
PIN HEADER ASSEMBLY, 15 CIRCUIT, UNIVERSAL MATE-N-LOK(TM)
SCALE 1:1 SHEET 1 OF 1

单击下面可查看定价，库存，交付和生命周期等信息

[>>TE Connectivity\(泰科\)](#)