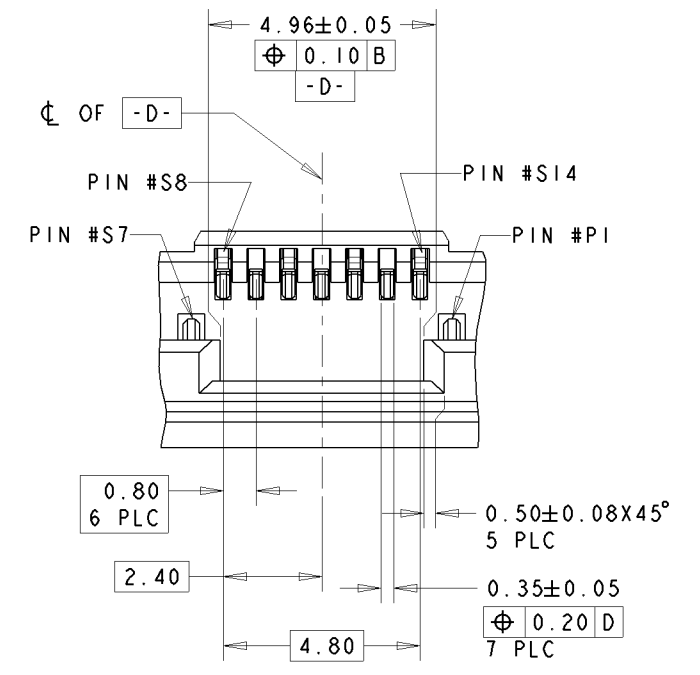
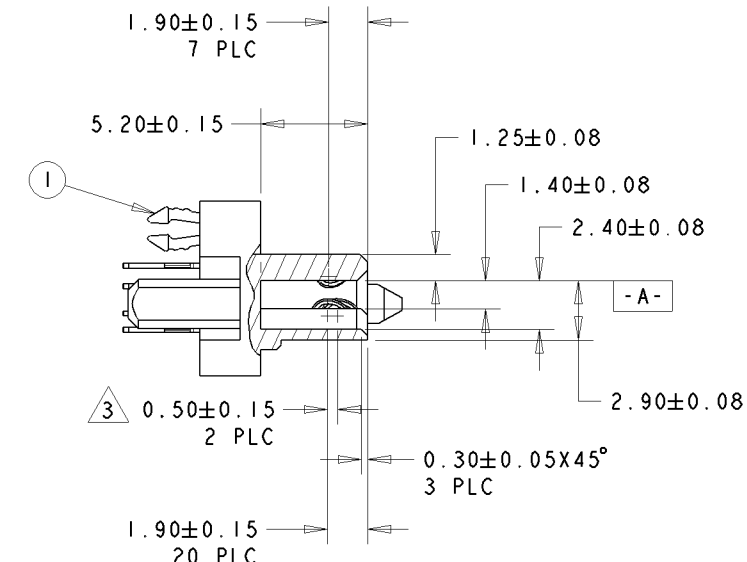
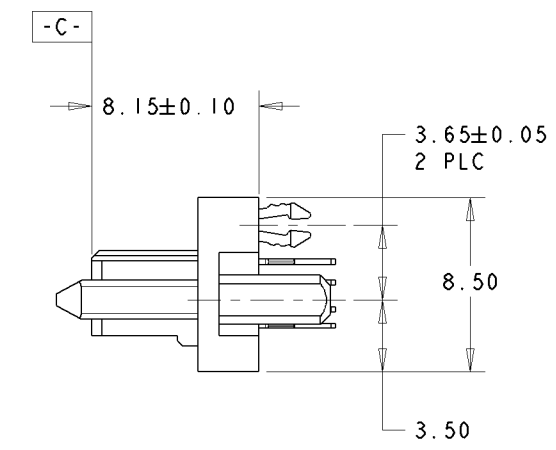
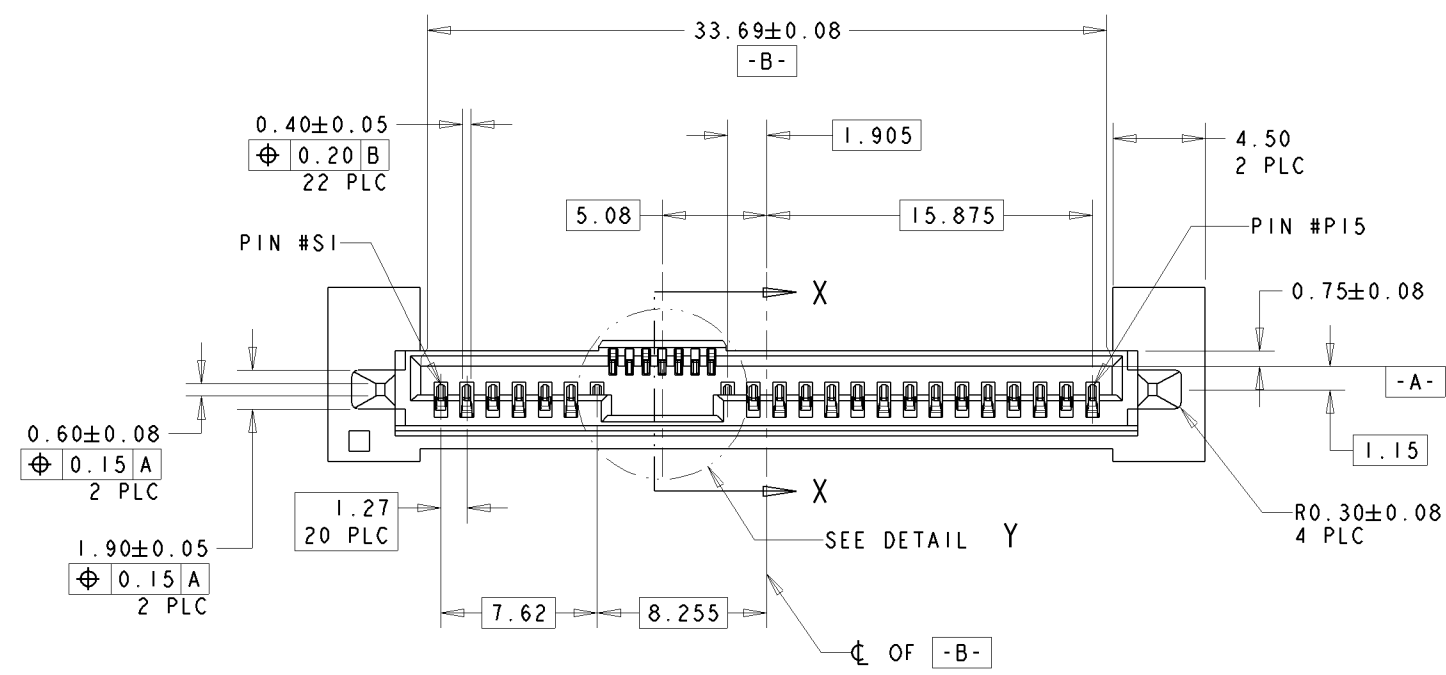


THIS DRAWING IS UNPUBLISHED. RELEASED FOR PUBLICATION .19  
 BY AMP INCORPORATED. ALL RIGHTS RESERVED.

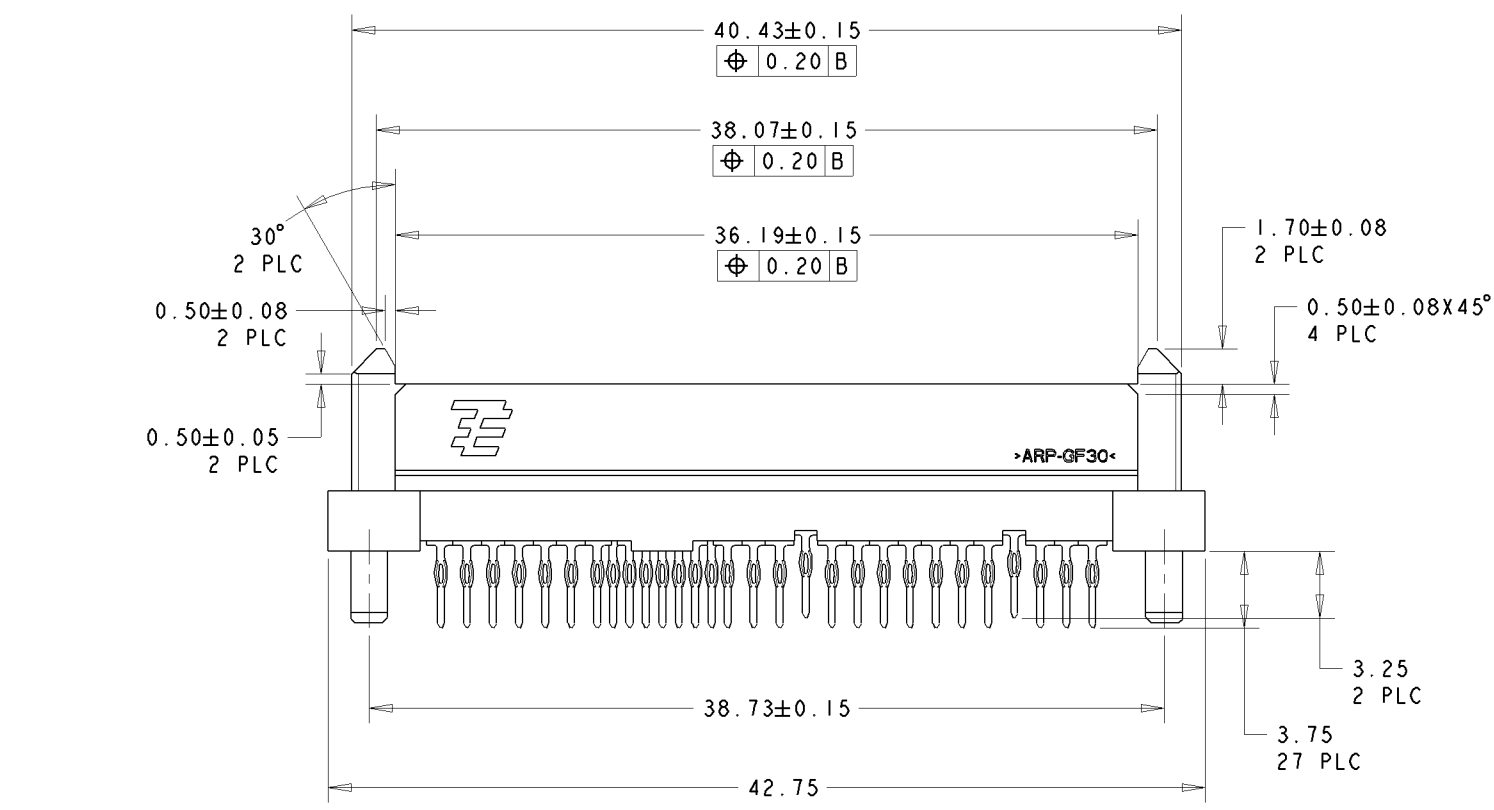
LOC	DIST	REVISIONS					
		P	LTR	DESCRIPTION	DATE	DWN	APVD
DY	-	B		REVISED ECR-10-012418	11JUN10	LSK	LSF

NOTES:

- 1 MATERIAL:  
 HOUSING: HIGH TEMP THERMOPLASTIC, UL94V-0,  
 COLOR: BLACK  
 CONTACT: COPPER ALLOY  
 BOARDLOCK: COPPER ALLOY
- 2 FINISH:  
 CONTACT AREA: MIN 0.76um GOLD PLATING  
 SOLDER TAIL: MIN 2.54um MATTE TIN PLATING  
 UNDERPLATE: MIN 1.27um NICKEL PLATING
- 3 PIN #P4 AND #P12 ONLY



DETAIL Y  
 SCALE 8:1



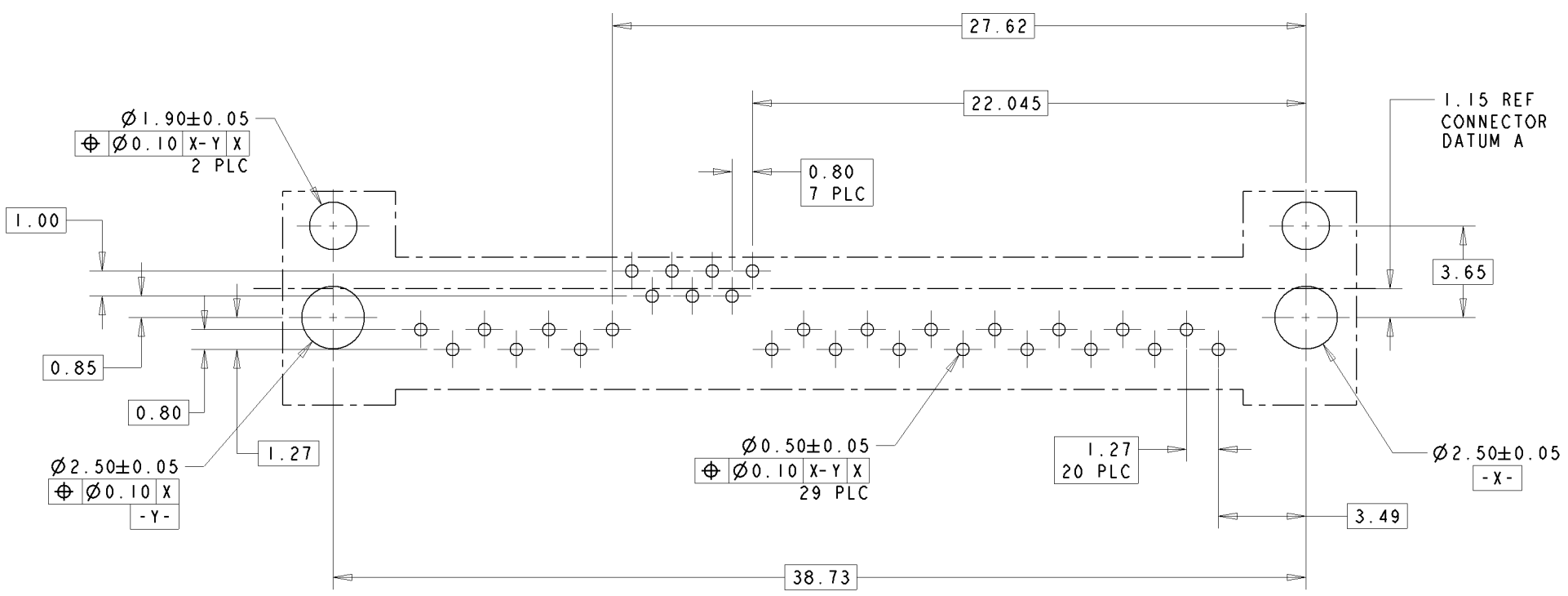
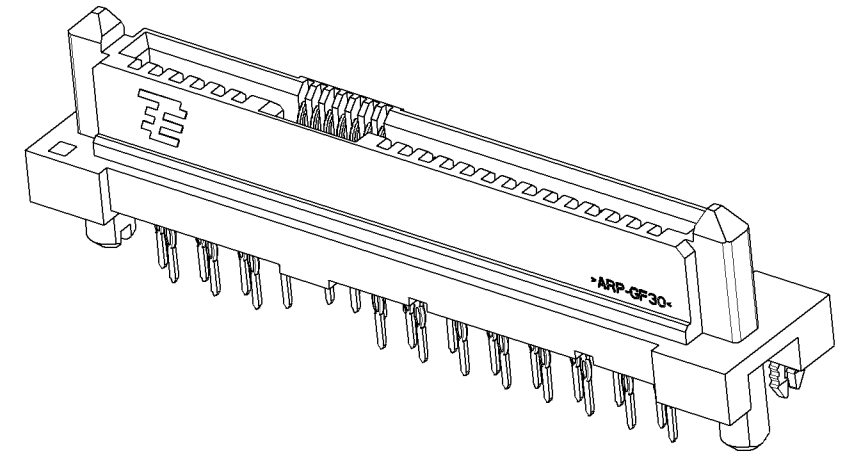
DIMENSIONS - mm		TOLERANCES UNLESS OTHERWISE SPECIFIED:	
0 PLC	±	1 PLC	±
1 PLC	±	2 PLC	±0.20
2 PLC	±	3 PLC	±
3 PLC	±	4 PLC	±
4 PLC	±	ANGLES	±3°
MATERIAL	1	FINISH	2

DWN	SK LEAW	10JUN2005	Tyco Electronics Singapore Pte. Ltd.	
CHK	SF LEONG	10JUN2005	NAME	
APVD	SF LEONG	10JUN2005	SAS BACKPLANE RECEPTACLE, VERTICAL, PRESS-FIT	
PRODUCT SPEC	108-51067	APPLICATION SPEC	SIZE	A2
114-51013	WEIGHT	-	CAGE CODE	00779
CUSTOMER DRAWING	DRAWING NO		C=1735164	SCALE
	4:1	SHEET	1	OF 2
		REV	B	

NO	1735164-2
YES	1735164-1
BOARDLOCK (1)	PART NUMBER

THIS DRAWING IS UNPUBLISHED. RELEASED FOR PUBLICATION .19  
 © COPYRIGHT 19 BY AMP INCORPORATED. ALL RIGHTS RESERVED.

LOC	DIST	REVISIONS			
P	LTR	DESCRIPTION	DATE	DWN	APVD
DY	-	SEE SHEET 1	-	-	-



RECOMMENDED PCB LAYOUT  
 SCALE 6:1

<small>THIS DRAWING IS A CONTROLLED DOCUMENT FOR AMP INCORPORATED. IT IS SUBJECT TO CHANGE AND THE CONTROLLING ENGINEERING ORGANIZATION SHOULD BE CONTACTED FOR THE LATEST REVISION.</small>		DWN SK LEAW 10JUN2005 CHK SF LEONG 10JUN2005 APVD SF LEONG 10JUN2005	Tyco Electronics Singapore Pte. Ltd.
DIMENSIONS - mm 		PRODUCT SPEC 108-51067 APPLICATION SPEC 114-51013	NAME SAS BACKPLANE RECEPTACLE, VERTICAL, PRESS-FIT SIZE A2 CAGE CODE 00779 DRAWING NO C=1735164
TOLERANCES UNLESS OTHERWISE SPECIFIED: 0 PLC ± 1 PLC ± 2 PLC ±0.20 3 PLC ± 4 PLC ± ANGLES ±3° FINISH -		WEIGHT - CUSTOMER DRAWING	SCALE 4:1 SHEET 2 of 2 REV B

单击下面可查看定价，库存，交付和生命周期等信息

[>>TE Connectivity\(泰科\)](#)