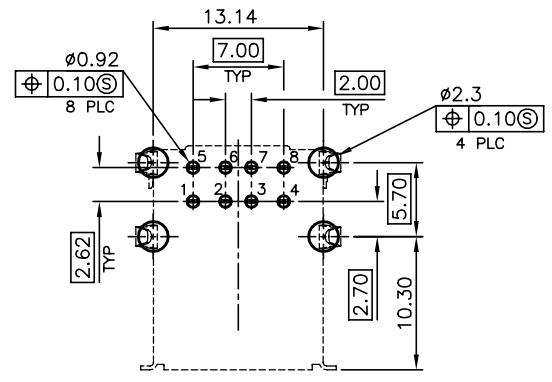
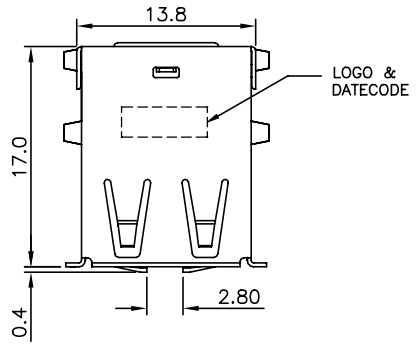
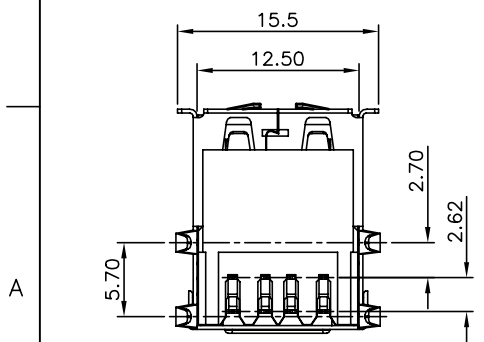
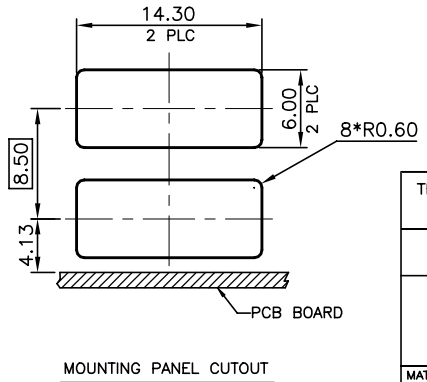
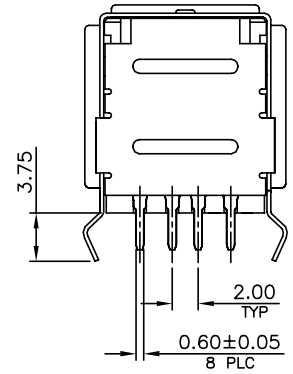
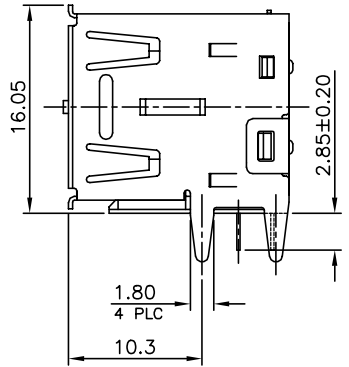
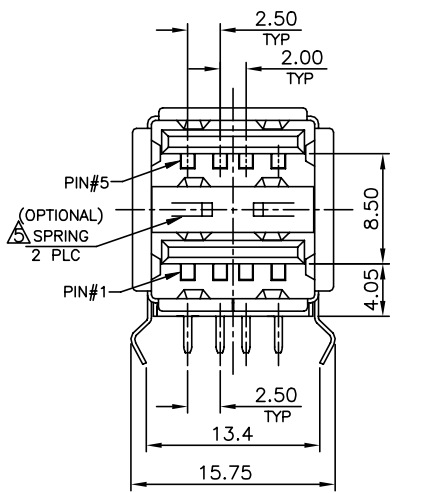


LOC		DIST		REVISIONS			
P	LTR	DESCRIPTION		DATE	DWN	APVD	
	C2	REVISED PER ECR-20-007978		31MAY2021	R.M	S.Z	



RECOMMENDED P.C.B LAYOUT
 TOP VIEW(TOLERANCE: ±0.05)



NOTES:

- MATERIAL:
 - HOUSING: SEE TABLE
 (PA66 WITH 30% G.F, UL94 V-0, BLACK OR WHITE COLOR.
 OR LCP WITH 30% G.F, UL94 V-0, BLACK COLOR.)
 - CONTACT: BRASS, T=0.25.
 - SHELL: SPCC.
 - REAR SHELL: SPCC.
 - SPRING: SPCC.
 - FINISH:
 - CONTACT:
 - GOLD PLATING (SEE TABLE) ON CONTACT AREA,
 2.54um [100u"] MIN. BRIGHT-TIN PLATING ON SOLDER TAIL AREA,
 1.27um [50u"] MIN. NICKEL UNDERPLATING OVERALL.
 - SHELL:
 - 2.54um [100u"] MIN. BRIGHT-TIN PLATING,
 1.27um [50u"] MIN. NICKEL UNDERPLATING OVERALL.
 - REAR SHELL: 1.27um [50u"] MIN. NICKEL PLATING.
 - SPRING : 1.27um [50u"] MIN. NICKEL PLATING.
 - RECOMMENDED P.C.B THICKNESS :1.6mm.
 - WAVE SOLDER CAPABLE TO 265°C PER TE SPEC. 109-202, CONDITION B.
- ⚠ THE SPRING IS OPTIONAL.
 ⚠ OBSOLETE

⚠	W/ O	PA66(BLACK)	1-1775468-2
⚠	W/	PA66(BLACK)	1-1775468-1
⚠	W/	PA66(WHITE)	1775468-3
	W/ O	LCP	1775468-2
⚠	W/	PA66	1775468-1
	MIN. GOLD THICKNESS	⚠ SPRING	HSG MATERIAL PART NUMBER

THIS DRAWING IS A CONTROLLED DOCUMENT.

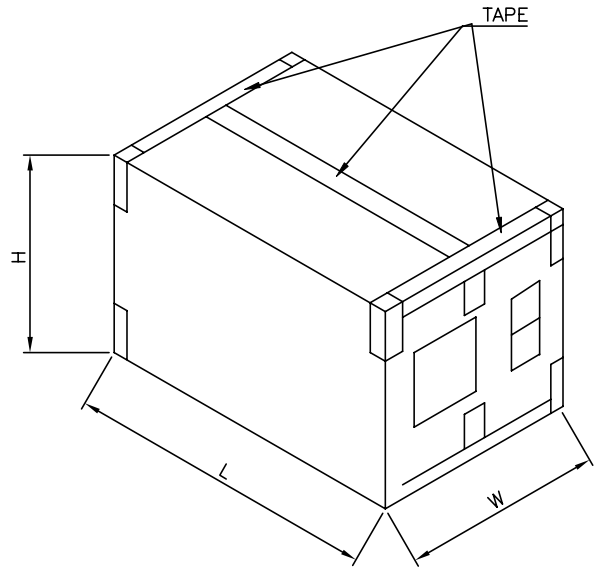
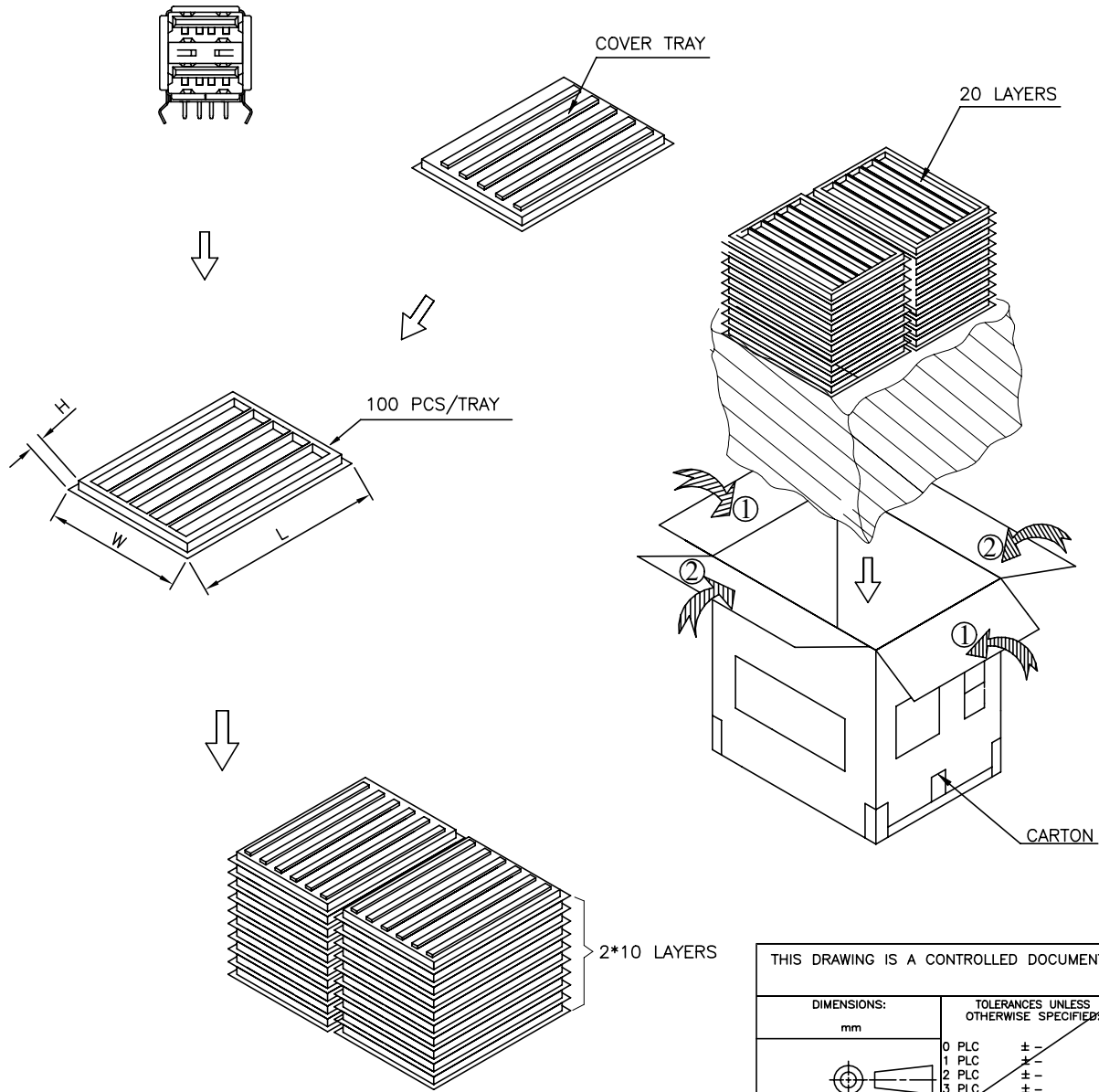
DIMENSIONS: mm	TOLERANCES UNLESS OTHERWISE SPECIFIED: 0 PLC ± - 1 PLC ± 0.3 2 PLC ± 0.2 3 PLC ± 0.15 4 PLC ± - ANGLES ± 3°	DWN J. LEE 30MAR2007		
MATERIAL SEE NOTE	FINISH SEE NOTE	CHK S. HOU 30MAR2007		
		APVD W.J. KE 30MAR2007	NAME	
		PRODUCT SPEC 108-57519	USB A TYPE, RECEPTACLE DUAL PORT, R/A, DIP CONNECTOR	
		APPLICATION SPEC	SIZE A3	CAGE CODE 00779
		WEIGHT 5.31 GRAMS	DRAWING NO C=1775468	RESTRICTED TO
		CUSTOMER DRAWING	SCALE -	SHEET 1 of 2
				REV C2

THIS DRAWING IS UNPUBLISHED. RELEASED FOR PUBLICATION
 © COPYRIGHT 2010 BY TYCO ELECTRONICS CORPORATION. ALL RIGHTS RESERVED.

LOC	DIST	REVISIONS			
P	LTR	DESCRIPTION	DATE	DWN	APVD
		SEE SHEET 1.			

NOTES:

- DIMENSION:
 TRAY: L= 270, W=235, H=25
 SHIPPING CARTON: L= 485, W=280, H=210
- QUANTITY: (SEE TABLE)
- CARTON WEIGHT: (SEE TABLE)
- PE BAGS SEALED AND ADD DESICCANT.



11.6	10.6	100	20	2000
GROSS WEIGHT	NET WEIGHT	PCS/ TRAY	TRAYS/ CARTON	PCS/ CARTON

THIS DRAWING IS A CONTROLLED DOCUMENT.

DWN	---	TE Connectivity
CHK	---	
APVD	---	
PRODUCT SPEC	---	
APPLICATION SPEC	---	NAME
WEIGHT	---	SIZE: A3 CAGE CODE: 00779 C=1775468
CUSTOMER DRAWING	---	RESTRICTED TO:
SCALE: ---		SHEET: 2 of 2 REV: C2

DIMENSIONS:		TOLERANCES UNLESS OTHERWISE SPECIFIED:	
mm			
0 PLC	± -		
1 PLC	± -		
2 PLC	± -		
3 PLC	± -		
4 PLC	± -		
ANGLES	± -		

单击下面可查看定价，库存，交付和生命周期等信息

[>>TE Connectivity\(泰科\)](#)