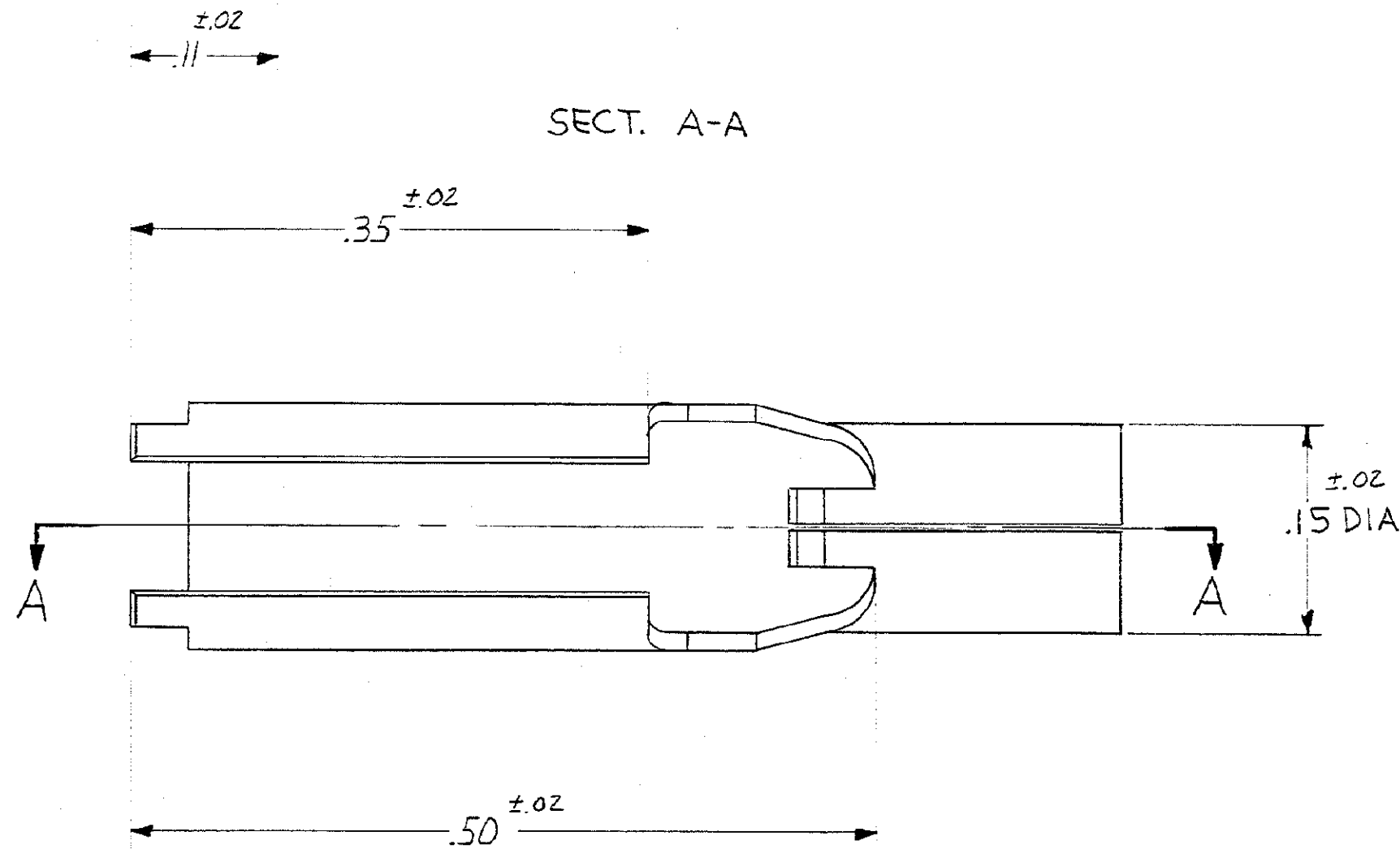


SECT. A-A



- MATL: 1/2 HARD BERYLLIUM COPPER PER QQ-C-533.
- PLATING: .000030 MIN. GOLD PER MIL-G-45204 OVER .0001 NICKEL PER QQ-N-290.

DIMENSIONS IN INCHES. DO NOT SCALE PRINT.

435096-1 AS SHOWN

REV	DESCRIPTION	DATE	BY	CHKD
1	REVISED PLATING	3-15-71	Cliff Baker	
2	ADDED DIMS. 1, 2, 3, 4, 5, 6, 7, 8, 9, 10, 11, 12, 13, 14, 15, 16, 17, 18, 19, 20, 21, 22, 23, 24, 25, 26, 27, 28, 29, 30, 31, 32, 33, 34, 35, 36, 37, 38, 39, 40, 41, 42, 43, 44, 45, 46, 47, 48, 49, 50, 51, 52, 53, 54, 55, 56, 57, 58, 59, 60, 61, 62, 63, 64, 65, 66, 67, 68, 69, 70, 71, 72, 73, 74, 75, 76, 77, 78, 79, 80, 81, 82, 83, 84, 85, 86, 87, 88, 89, 90, 91, 92, 93, 94, 95, 96, 97, 98, 99, 100			

REQD PER ASSEMBLY	DESCRIPTION	CLASS	WIRE RANGE	AREA	HEAT TREAT	REMARKS	ITEM NO
SEE NOTE 1		TYPE REMOVABLE CONTACT			REMOVE BURRS. BREAK SHARP EDGES .015 R MAX DECIMALS: .00 = ±.02, .000 = ±.005, .0000 = ±.0005	SEE NOTE 2	
		AMP INCORPORATED HARRISBURG, PENNA.					
		LOC S C					
		NO. 435096					
		SCALE 10:1					
		RECEPTACLE, SHIELD					

CUSTOMER DRAWING

单击下面可查看定价，库存，交付和生命周期等信息

[>>TE Connectivity\(泰科\)](#)