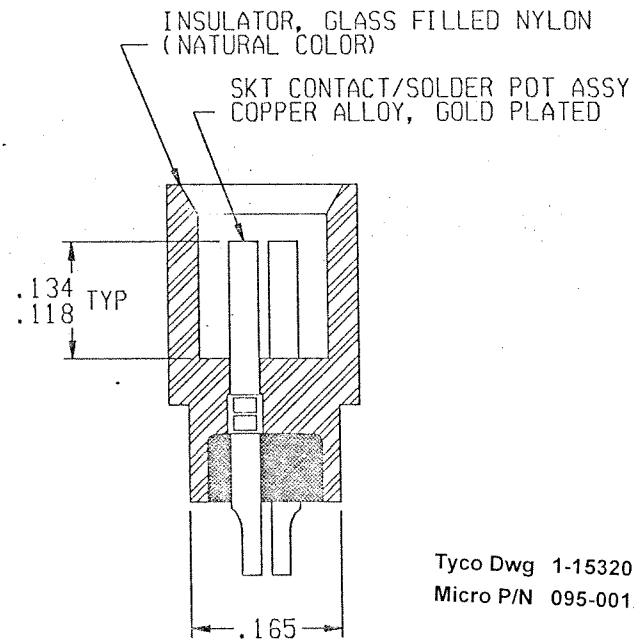
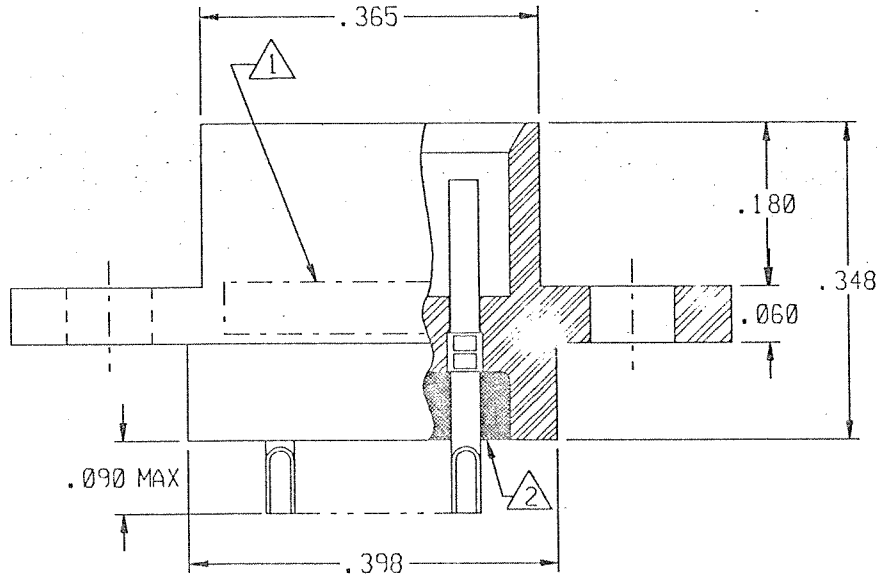
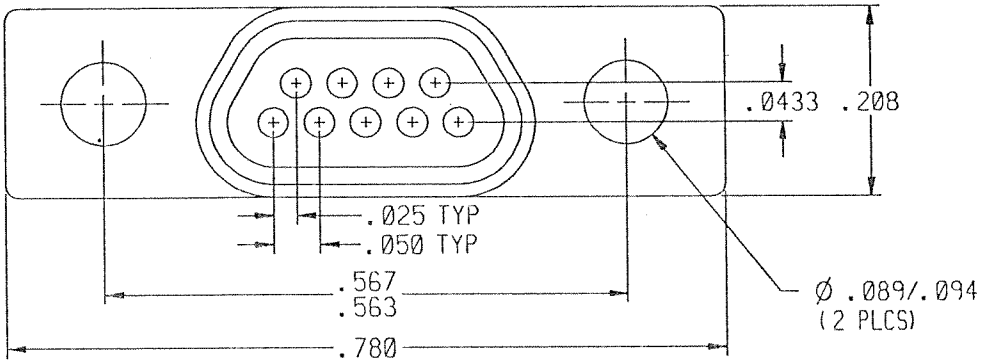


REVISION					
ZONE	LTR	ECN	DESCRIPTION	DATE	APPROVED
	B	38485	UPDATE NOTE 1 FOR MARKING	1/19/77	<i>[Signature]</i>



Tyco Dwg 1-1532017-3
Micro P/N 095-0012-1013

- NOTES: UNLESS OTHERWISE SPECIFIED
- 1 MARKING AREA AS SHOWN MARK PER TIS.
 - 2 EPOXY AS SHOWN USING 194-8102-6215/6225.
 - 3 CRIMPED SOLDER POT ADAPTER INTO CONTACTS PER MEP 302-05.
 - 4 CHAMFERS ON SOLDER POT ADAPTERS ARE TO BE PARALLEL TO THE SIDE OF INSULATOR WITHIN 10°.

UNLESS OTHERWISE SPECIFIED DIMENSIONS ARE IN INCHES. TOLERANCE ARE:			APPROVALS		MALCO A MICRODOT COMPANY, INC. 306 PASADENA AVE., SO. PASADENA, CA 91030	I.D. CODE 824 CODE CDM
FRACTIONS ± 1/8	DECIMALS .XX ± .01 .XXX ± .005	ANGLES ± 2°	SIGNATURE	DATE		
MATERIAL:			DRAWN	MEL F. CAMPOS	01/05/74	RACK & PANEL CONNECTOR MC02-B-PSS
			CHECKED			
			PROL. ENG.	<i>[Signature]</i>	1/19/77	
			APPROVED			
FINISH:			THIS DOCUMENT IS THE PROPERTY OF MALCO, A MICRODOT CO. USE OF THIS DOCUMENT OR ANY PART OF THEREOF IS STRICTLY FORBIDDEN WITHOUT THE EXPRESS WRITTEN PERMISSION OF MALCO, A MICRODOT COMPANY.			SIZE A
			CODE IDENT NO. 98278		DRAWING NO. 095-0012-1013	SCALE: NONE SHEET 1 OF 1

单击下面可查看定价，库存，交付和生命周期等信息

[>>TE Connectivity\(泰科\)](#)