

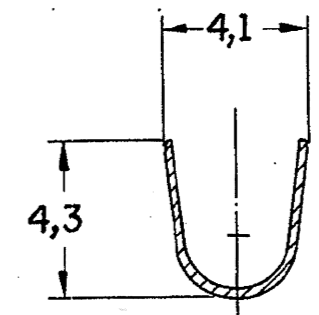
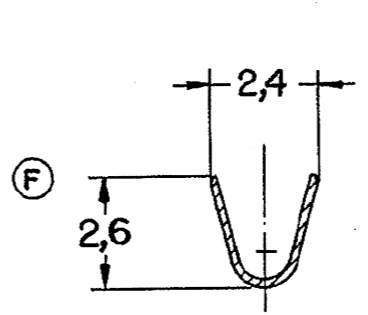
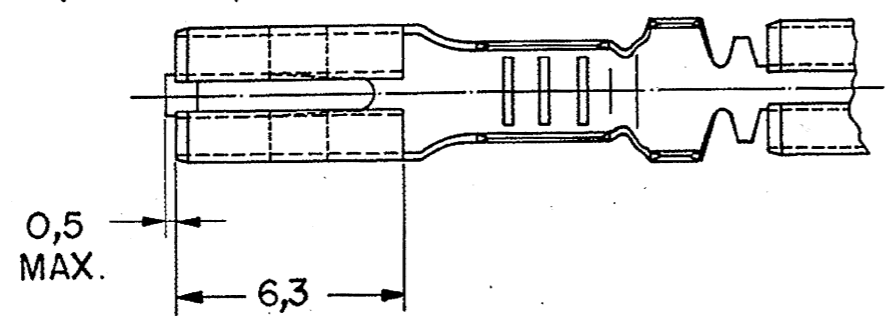
DWG NO.				
REQ. PER ASSY				

DO NOT SCALE
DIMENSIONS IN mm.

METRIC



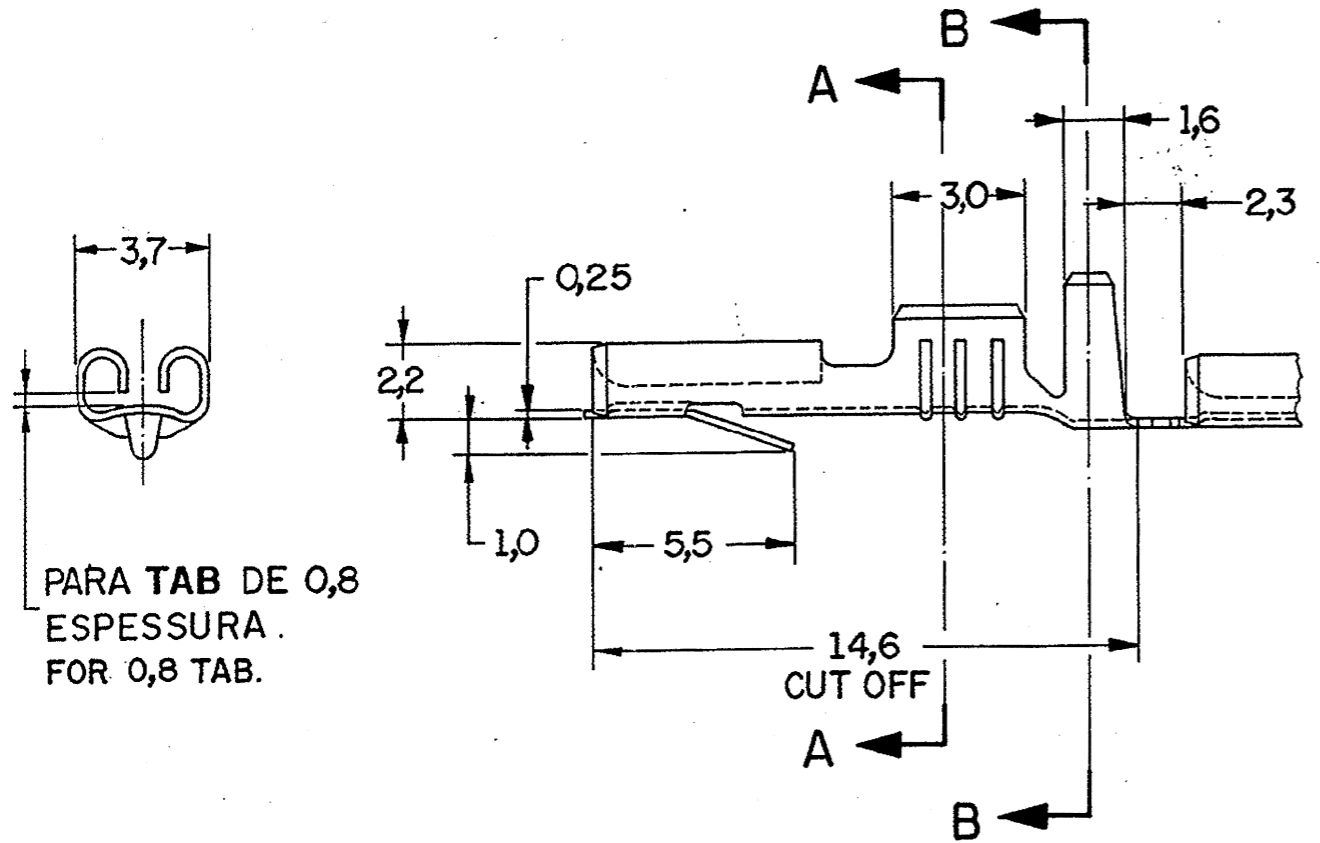
REQ. PER ASSY	ITEM	DESCRIPTION	MATERIAL	FINISH
---------------	------	-------------	----------	--------



SECCÃO A-A
SECTION

SECCÃO B-B
SECTION

△ OBSOLETE PARTS.



LOOSE PIECE	FINISH	MATERIAL	PART NUMBER
7	PRATEADO	LATÃO	880634 -7
6	PRÉ ESTANHADO	BRONZE FOSFOROSO	880634 -6
5	PRÉ ESTANHADO	LATÃO	880634 -5
3	/	BRONZE FOSFOROSO	880634 -3
2	ESTANHADO	LATÃO	880634 -2
1	/	LATÃO	880634 -1

CUSTOMER DWG
for REFERENCE ONLY

THIS DRAWING IS UNPUBLISHED. RELEASED FOR PUBLICATION 19
© COPYRIGHT 19 BY AMP DO BRASIL LTDA S.P. ALL INTERNATIONAL RIGHTS RESERVED AMP PRODUCTS MAY BE COVERED BY U.S. AND FOREIGN PATENTS AND/OR PATENTS PENDING.

TOLERANCES UNLESS OTHERWISE STATED:
INS. DIA. RANGE 2,0-3,3 mm WIRE RANGE 2 SCALE
DEC. ± 0,3
ANGLES ± 1°

DR. N.C. LAPRESA
OS - JUL - 93

TE Connectivity

DESCRIPTION: .110 SERIES RECEPTACLE FASTIN - FASTON

ISS	REVISION	RECORD	ECN	DR	CHK	DATE	APP.

A3 DWG NO C 880634 SHEET 1 OF 1

单击下面可查看定价，库存，交付和生命周期等信息

[>>TE Connectivity\(泰科\)](#)