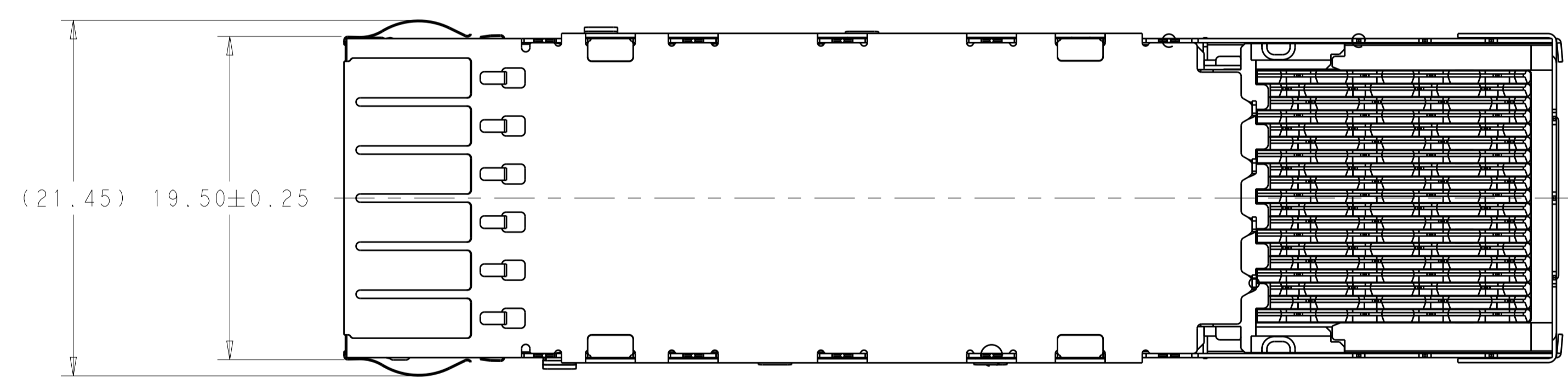
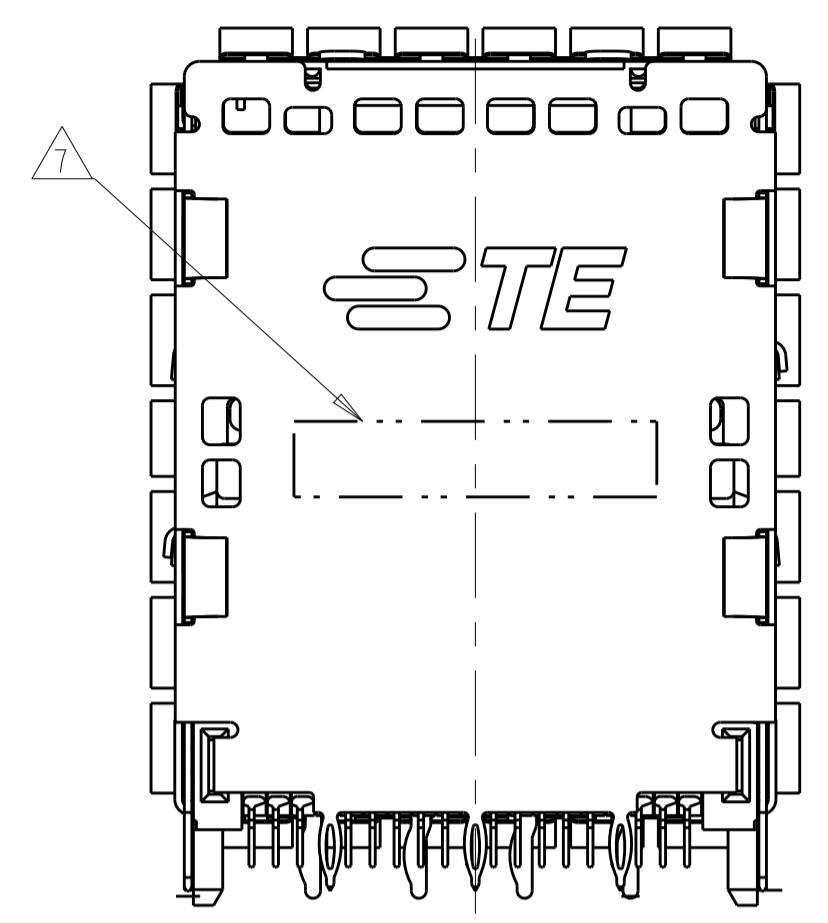
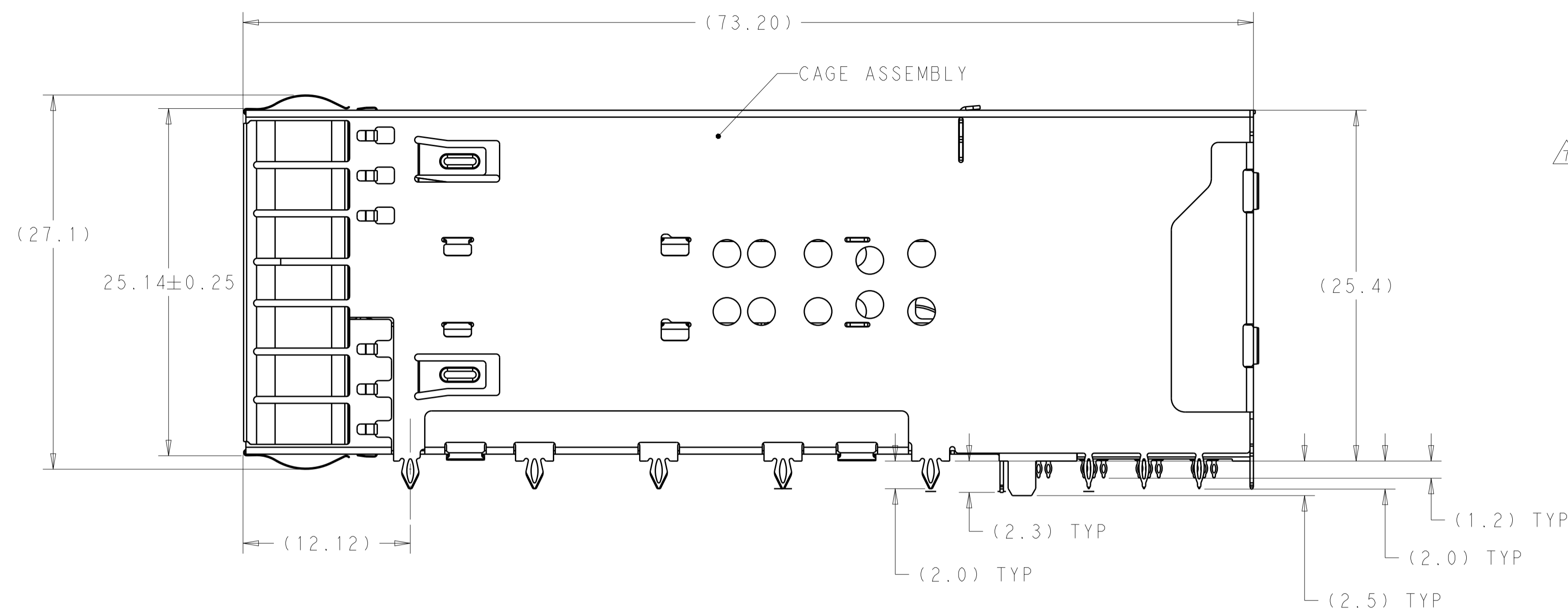
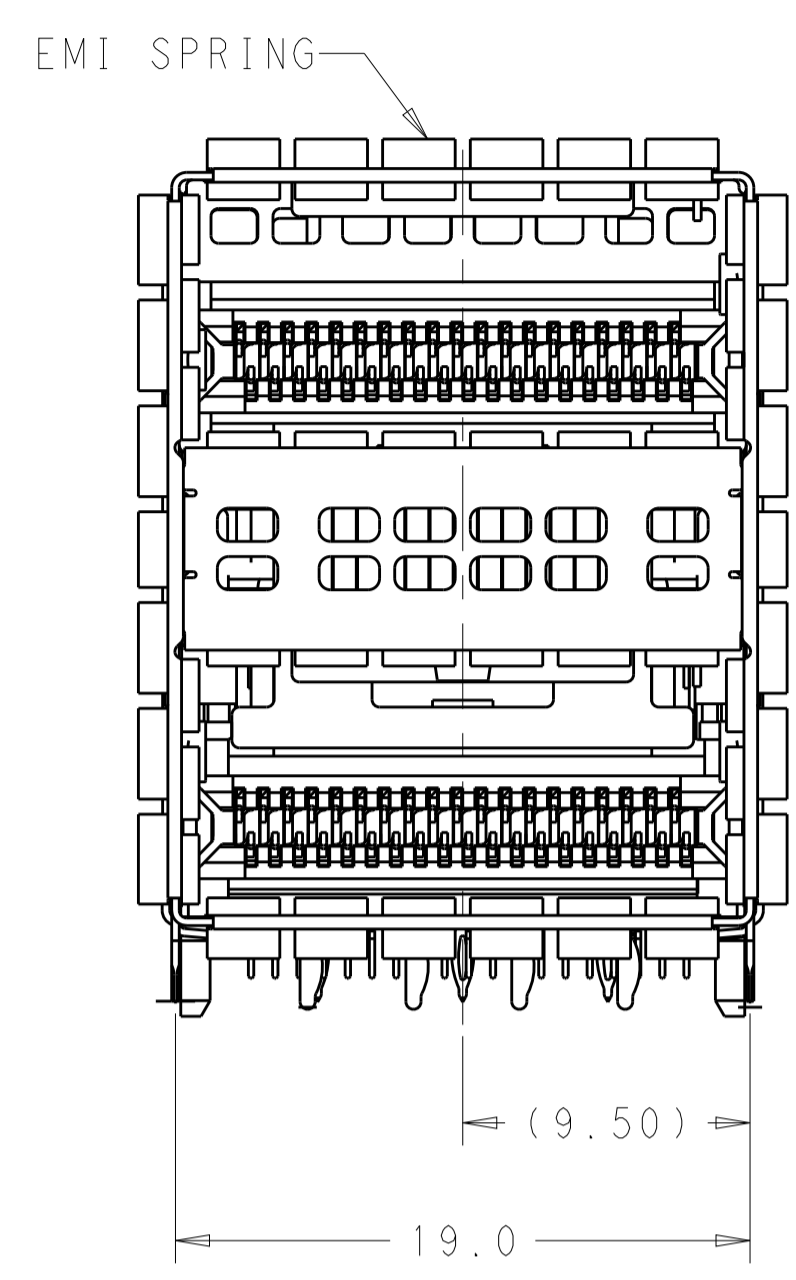


LOC	DIST	REVISIONS					
GP	00	P	LTN	DESCRIPTION	DATE	DWN	APVD
		E		REVISED PER ECR-19-013341	28AUG2019	RM	SH
		F		REVISED PER ECR-20-004478	31MAR2020	RM	SH



- MATERIALS:  
 CAGE ASSEMBLY- NICKEL SILVER ALLOY PER ASTM B 122.  
 EMI SPRING- COPPER ALLOY, NICKEL PLATED.  
 HOUSING- POLYESTER LCP WITH 94V-0.  
 CHICKLET- POLYESTER LCP WITH 94V-0.  
 CONTACT- COPPER ALLOY.  
 LIGHTPIPE- POLYCARBONATE WITH 94V-0.
- ② CONTACT FINISH: 0.76µm GOLD ON MATING END, 0.7-1.5µm MATT TIN ON COMPLIANT AREA, ALL OVER 1.27µm NICKEL.
  - ③ DATUM AND BASIC DIMENSION ESTABLISHED BY CUSTOMER.
  - 4. MINIMUM PCB THICKNESS OF 1.57.
  - ⑤ THE ENTIRE AREA OF THE CONNECTOR FOOTPRINT, INDICATED BY THE DASHED LINE, TO BE CONSIDERED THE KEEPOUT AREA FOR COMPONENTS.
  - ⑥ CROSS-HATCHED AREAS REPRESENT ZONES ON THE PCB THAT COME IN CONTACT WITH OR BE IN CLOSE PROXIMITY TO THE PLASTIC HOUSING OR THE CONNECTOR CAGE. INDICATED AREAS TO BE CONSIDERED TRACE FREE.
  - ⑦ PART NUMBER AND DATE CODE MADE IN APPROXIMATE AREA SHOWN.
  - ⑧ CONTACT FINISH: 0.08µm MINIMUM GOLD OVER 0.68µm PALLADIUM-NICKEL ON MATING AREA, 0.7-1.5µm MATT TIN ON COMPLIANT AREA, ALL OVER 1.27µm NICKEL.
  - ⑨ HATCHED AREA IS PLACEMENT ZONE FOR LED. LED SHOULD BE CENTERED WITHIN ZONE. RECOMMEND 0805 PACKAGE.
  - ⑩ THE ORDER FOR LED LOACTION, CORRESPONDING TO THE LIGHT PIPES
  - ⑪ LOW Br/Cl AS DEFINED IN TEC-138-702.
  - ⑫ CAGE ASSEMBLY WITH 1.27µm NICKEL PLATED.

②	②	ROUND INDICATOR, 4LP	4-2227669-1
②	②	LEFT INDICATOR UP	3-2227669-0
②	②	ROUND INDICATOR, 8LP	2-2227669-5
②	②	4 UPPER LP	2-2227669-4
①	②	② ROUND INDICATOR, 8LP	2-2227669-3
②	②	ALL INDICATOR DOWN, 8LP	2-2227669-2
②	②	ROUND INDICATOR, 8LP	2-2227669-1
②	②	LEFT INDICATOR UP	2-2227669-0
①	②	② LEFT INDICATOR DOWN, 4LP	1-2227669-9
①	②	② ALL INDICATOR UP, 4LP	1-2227669-7
②	②	ROUND INDICATOR, 4LP	1-2227669-1
②	②	ALL INDICATOR DOWN, 4LP	1-2227669-0
②	②	LEFT INDICATOR DOWN, 4LP	2227669-9
②	②	LEFT INDICATOR UP, 4LP	2227669-8
②	②	ALL INDICATOR UP, 4LP	2227669-7
⑧	②	LEFT INDICATOR DOWN	2227669-6
⑧	②	LEFT INDICATOR UP	2227669-5
⑧	②	NO LIGHT PIPE	2227669-4
②	②	LEFT INDICATOR DOWN	2227669-3
②	②	LEFT INDICATOR UP	2227669-2
②	②	NO LIGHTPIPE	2227669-1
CONTACT FINISH		DESCRIPTION	PART NUMBER

THIS DRAWING IS A CONTROLLED DOCUMENT. DWN: M. SHIRK 16JAN2013  
 CHK: D. SZCZESNY 16JAN2013  
 APVD: -

**STE** TE Connectivity

NAME: CAGE AND CONNECTOR ASSEMBLY, WITH EMI SPRING FINGERS, THRU BEZEL, 2X1, ZQSFP+ STACKED

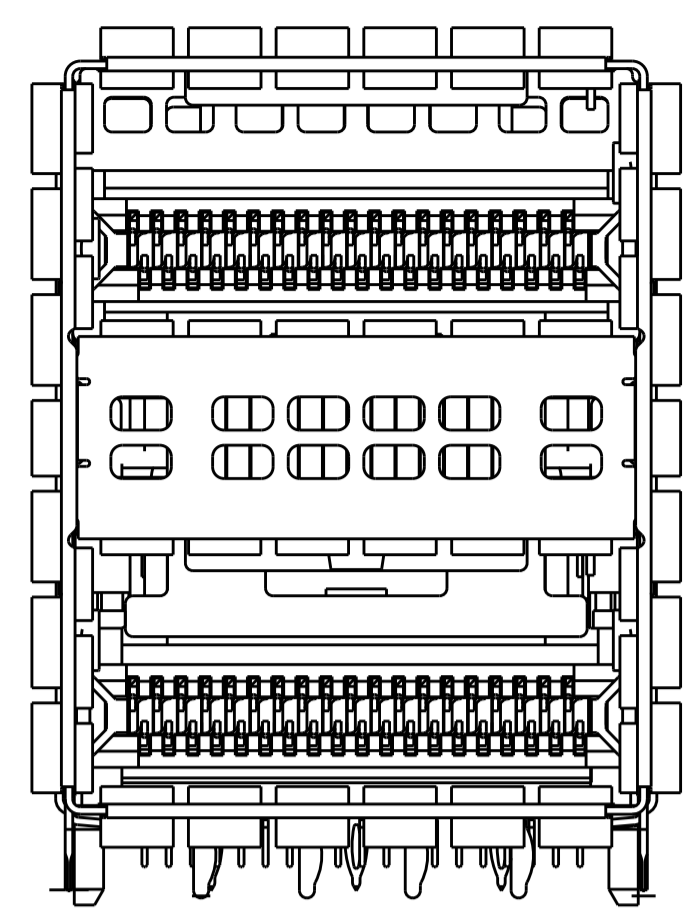
PRODUCT SPEC: 108-60102  
 APPLICATION SPEC: 114-60015

SIZE: A1  
 CAGE CODE: 00779  
 DRAWING NO: C=2227669

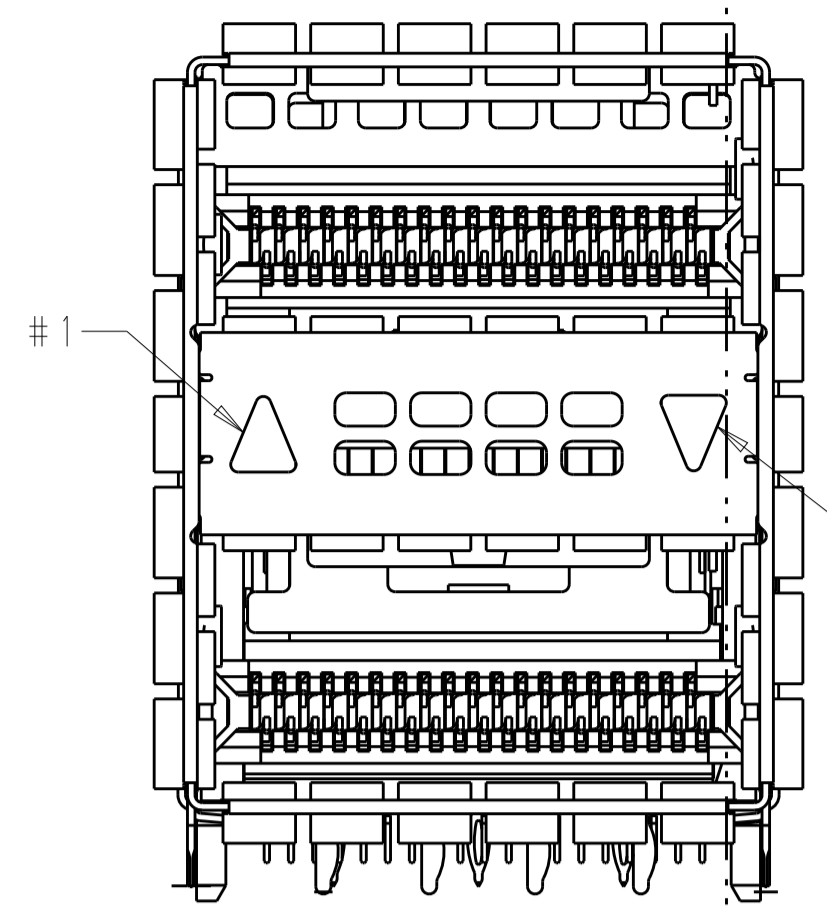
MATERIAL: SEE NOTE 1  
 FINISH: -  
 WEIGHT: -  
 CUSTOMER DRAWING

SCALE: 4:1 SHEET 1 OF 8 REV F

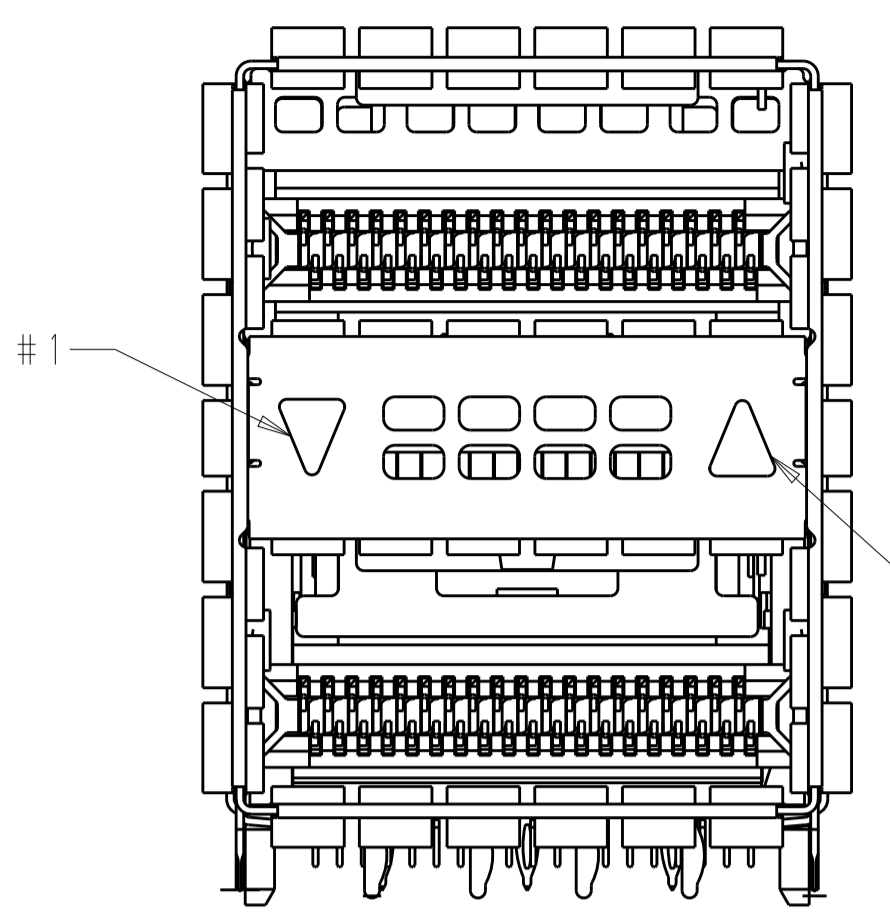
LOC		DIST		REVISIONS			
GP	00	P	LTN	DESCRIPTION	DATE	OWN	APVD
		-		SEE SHEET 1			



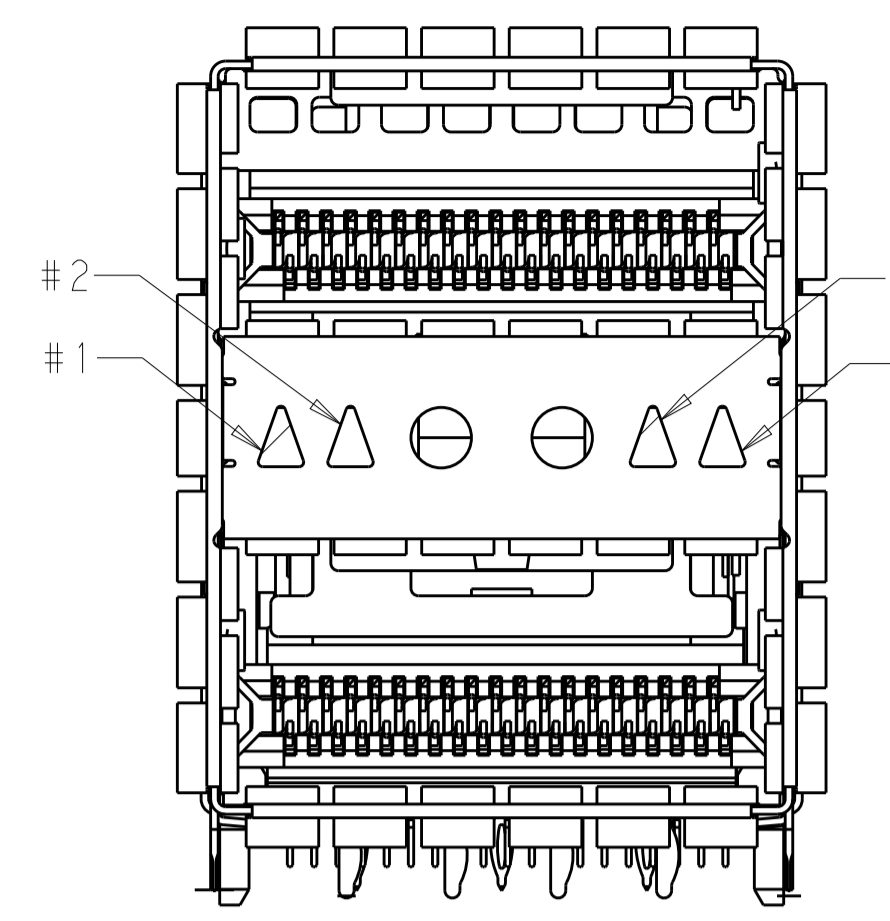
2227669-1  
 2227669-4  
 NO LIGHTPIPE IN ASSEMBLY



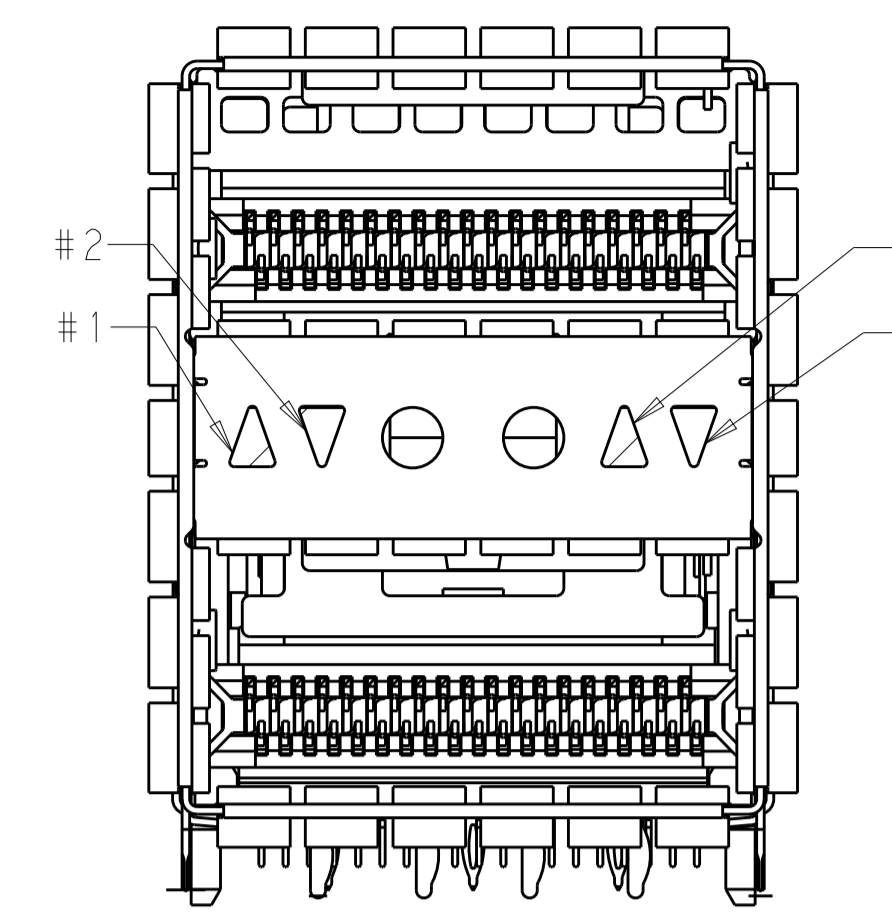
2227669-2  
 2227669-5  
 LEFT INDICATOR UP



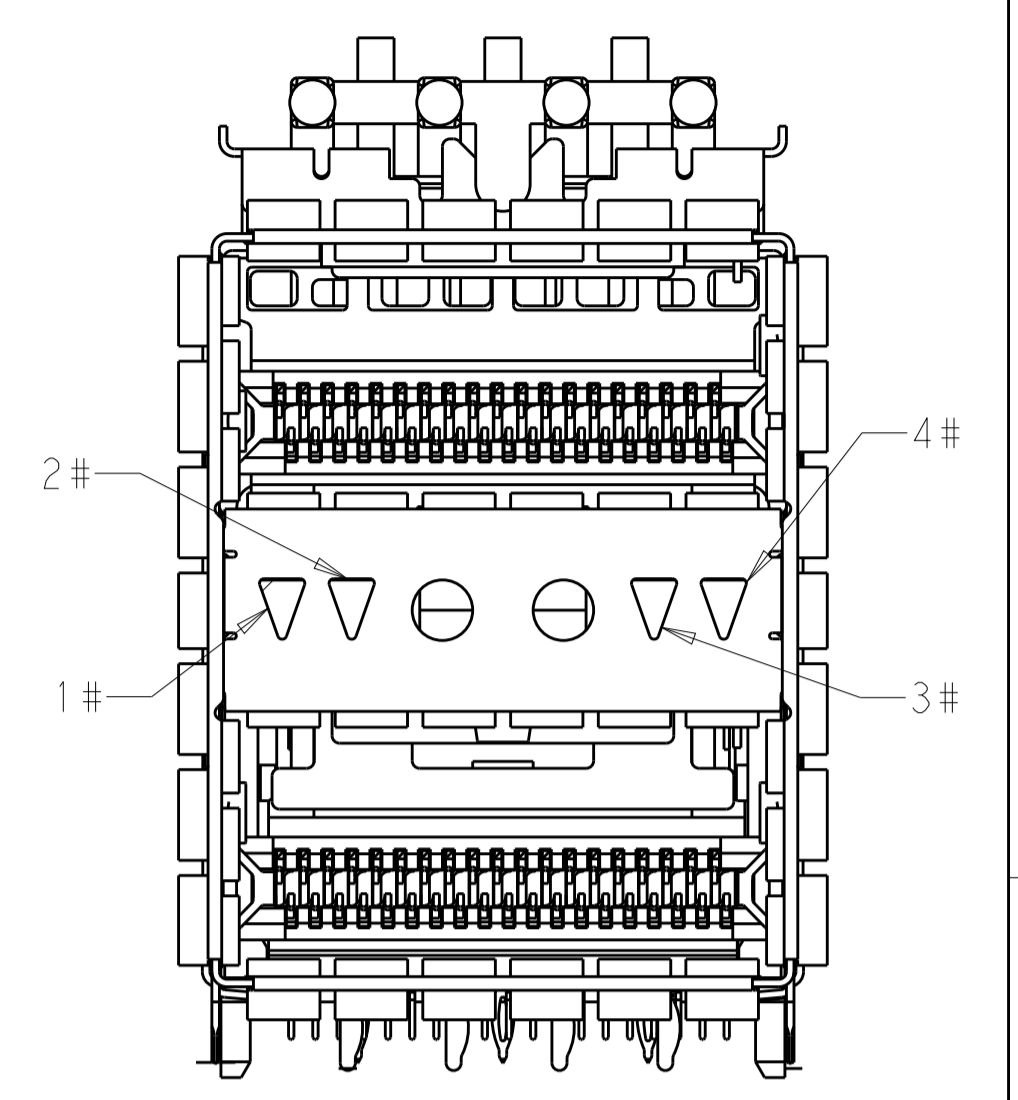
2227669-3  
 2227669-6  
 LEFT INDICATOR DOWN



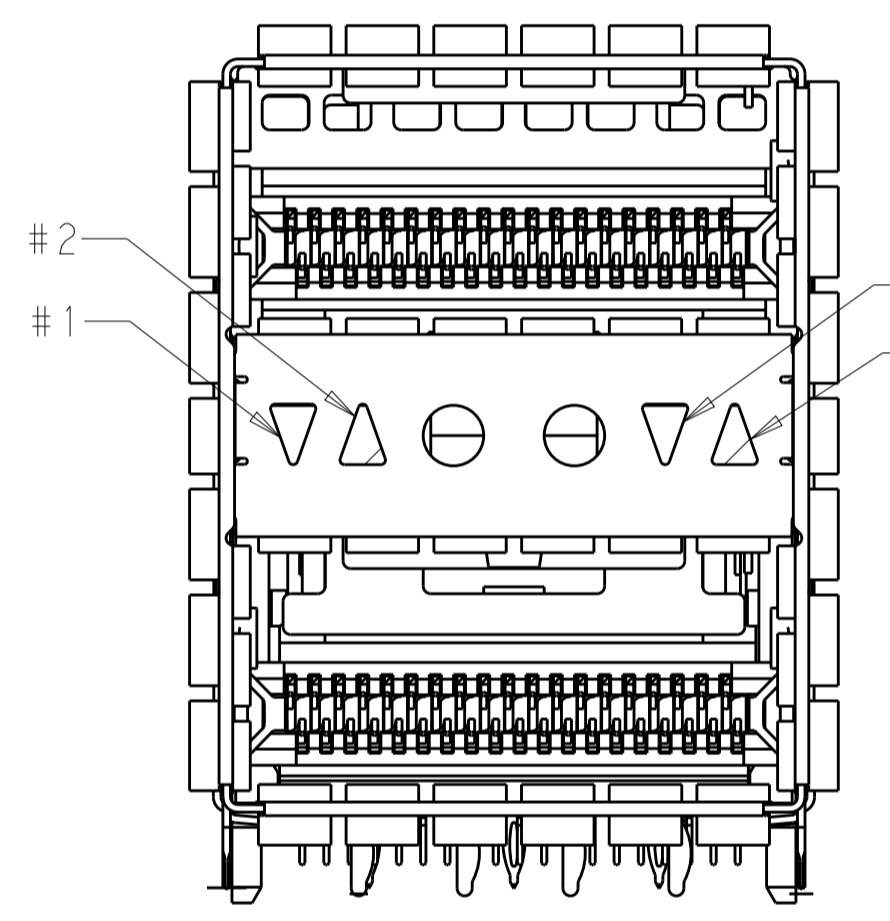
2227669-7  
 1-2227669-7  
 ALL INDICATOR UP, 4LP



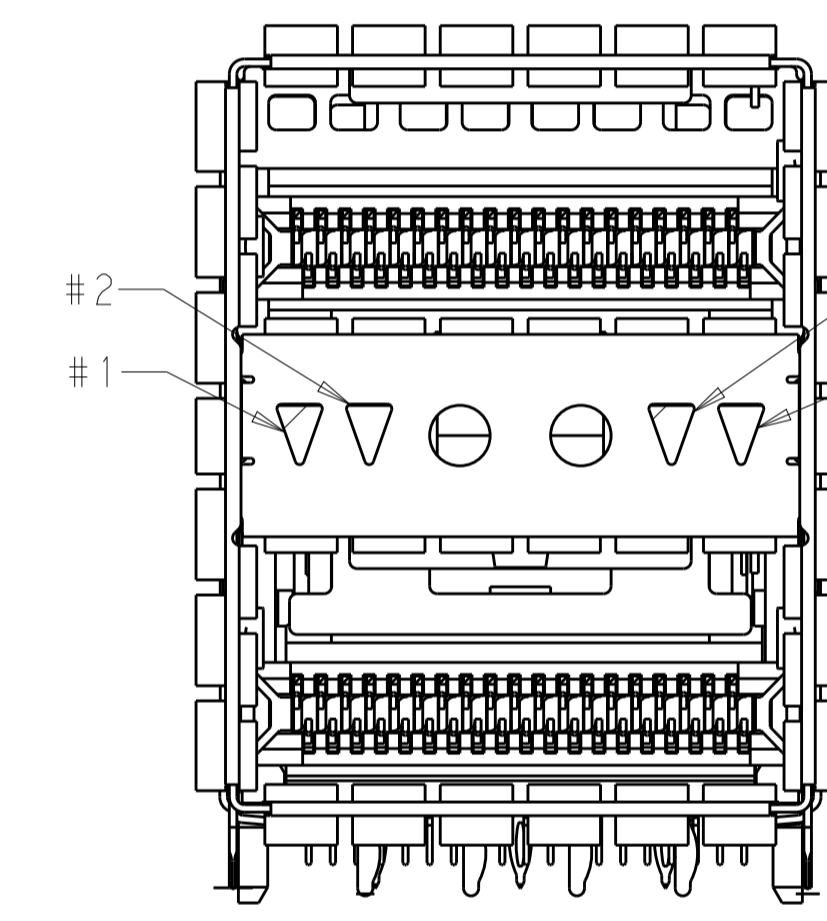
2227669-8  
 LEFT INDICATOR UP, 4LP



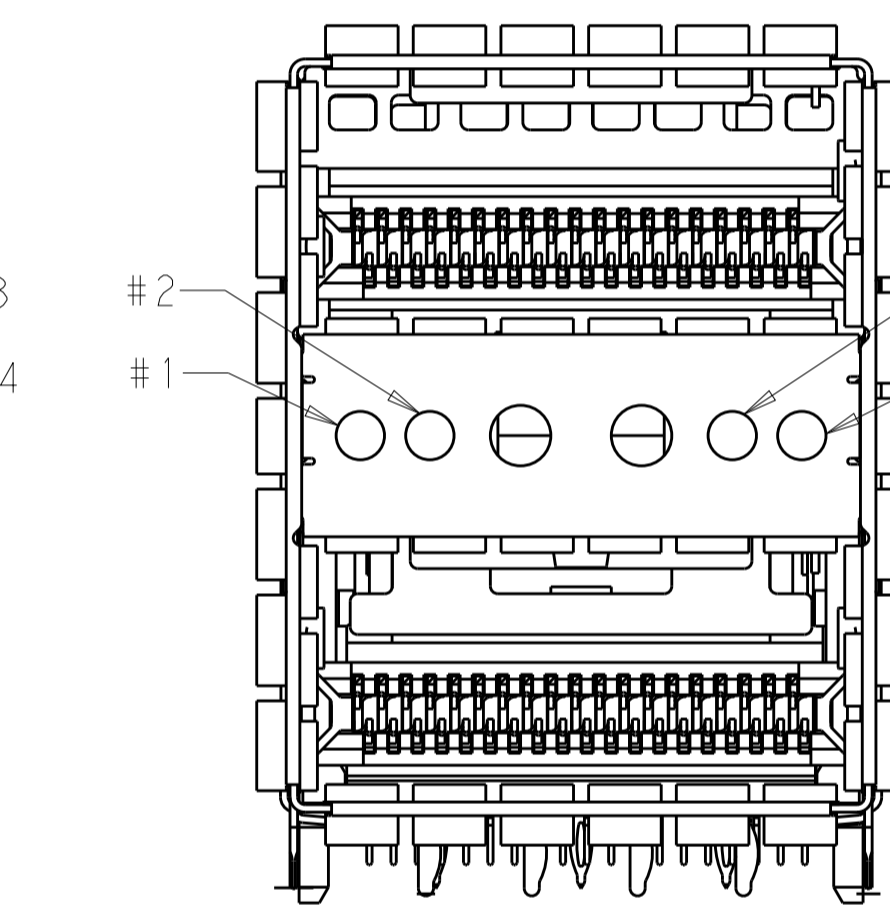
2-2227669-2  
 ALL INDICATOR DOWN, 8LP



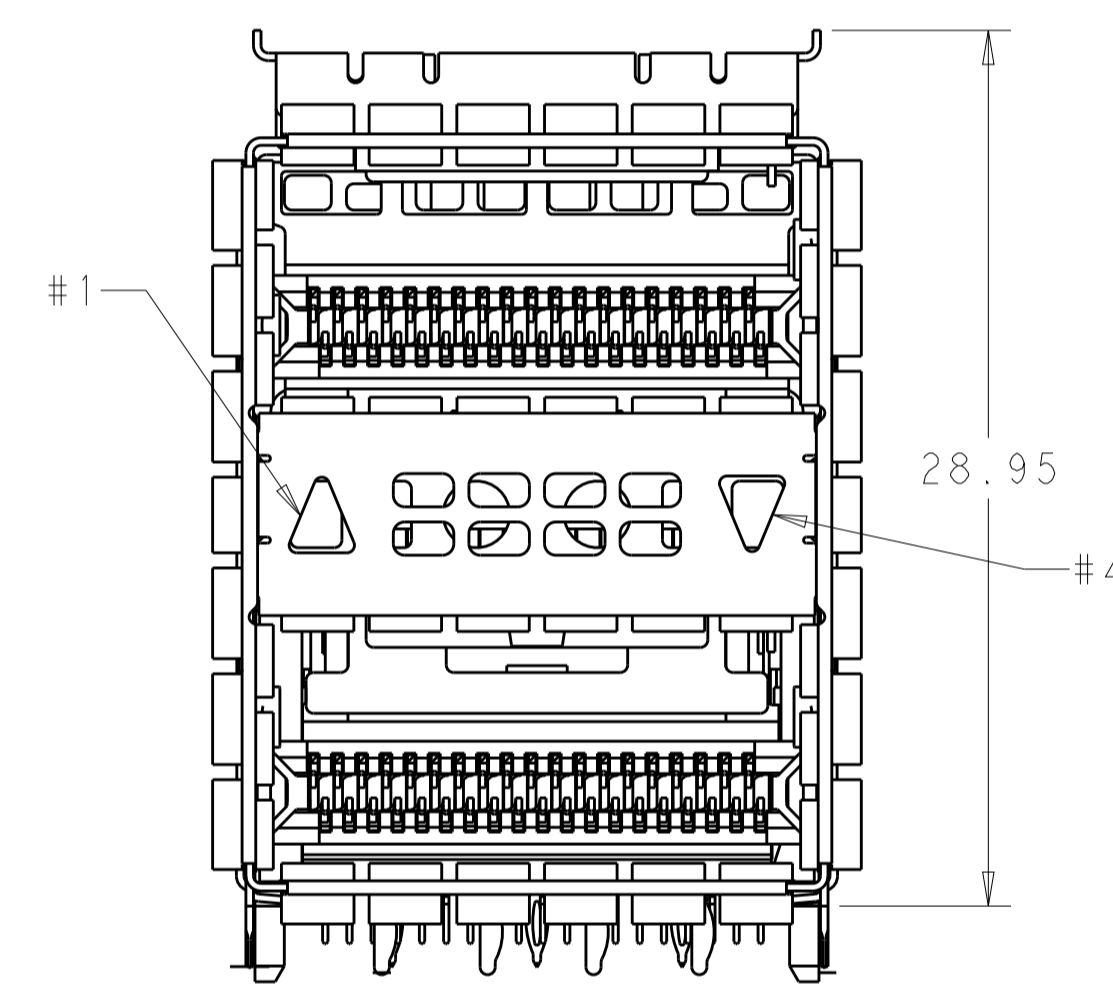
2227669-9  
 1-2227669-9  
 LEFT INDICATOR DOWN, 4LP



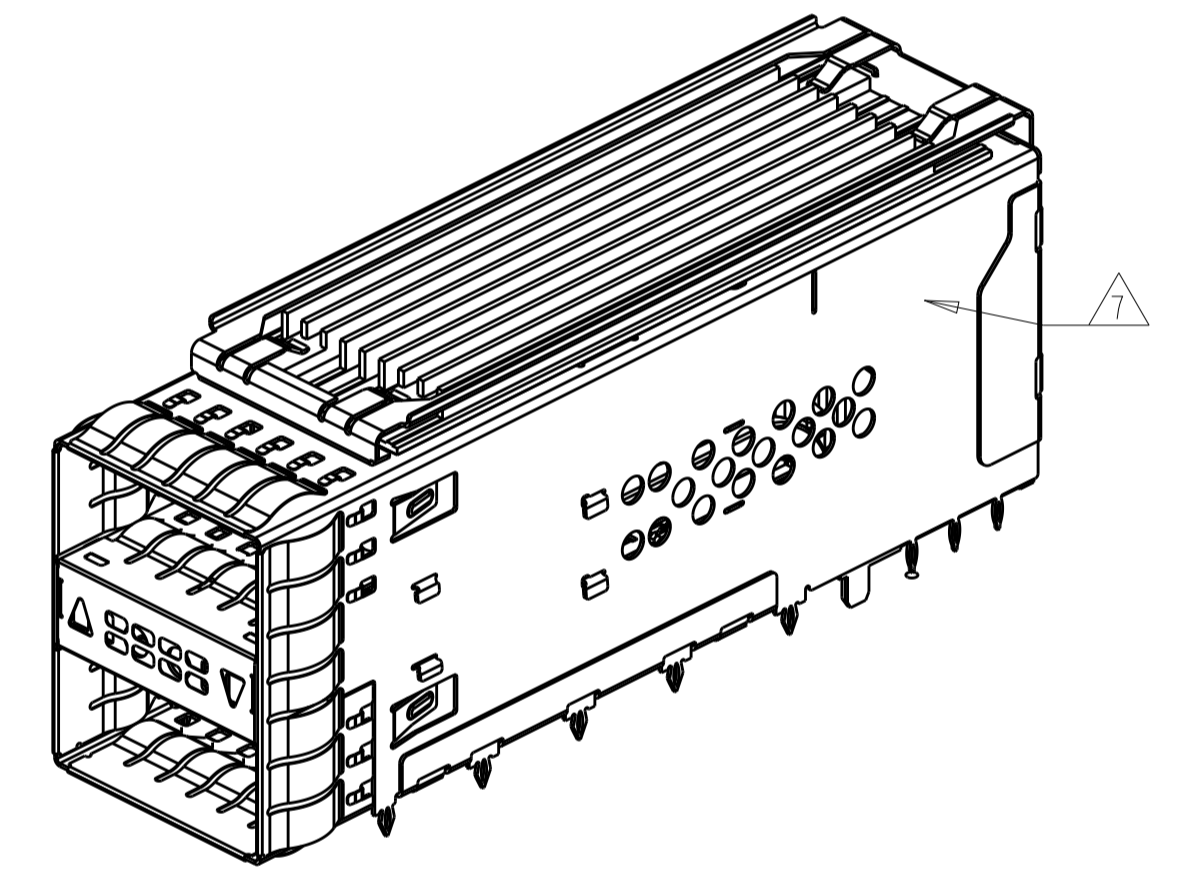
1-2227669-0  
 ALL INDICATOR DOWN, 4LP



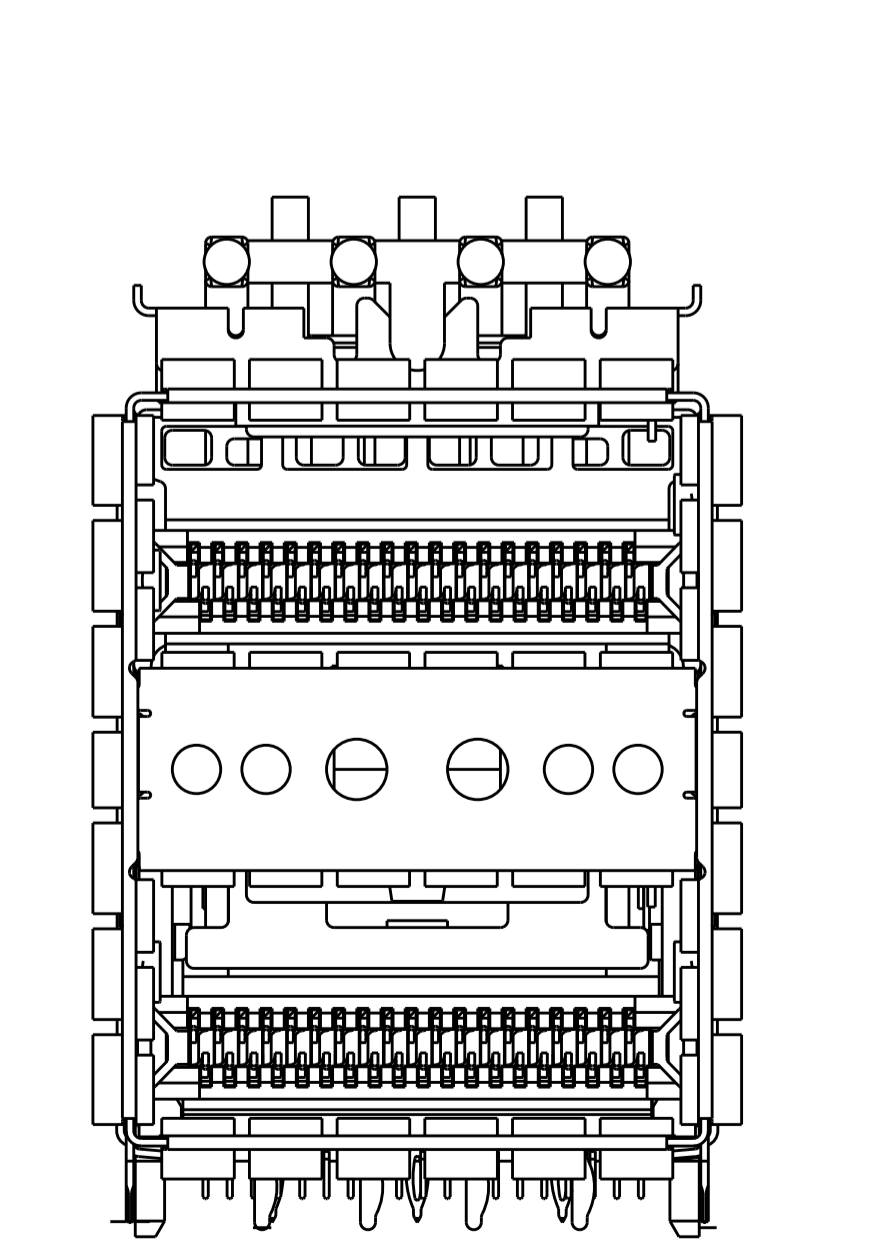
1-2227669-1  
 4-2227669-1  
 ROUND SHAPE INDICATORS, 4LP



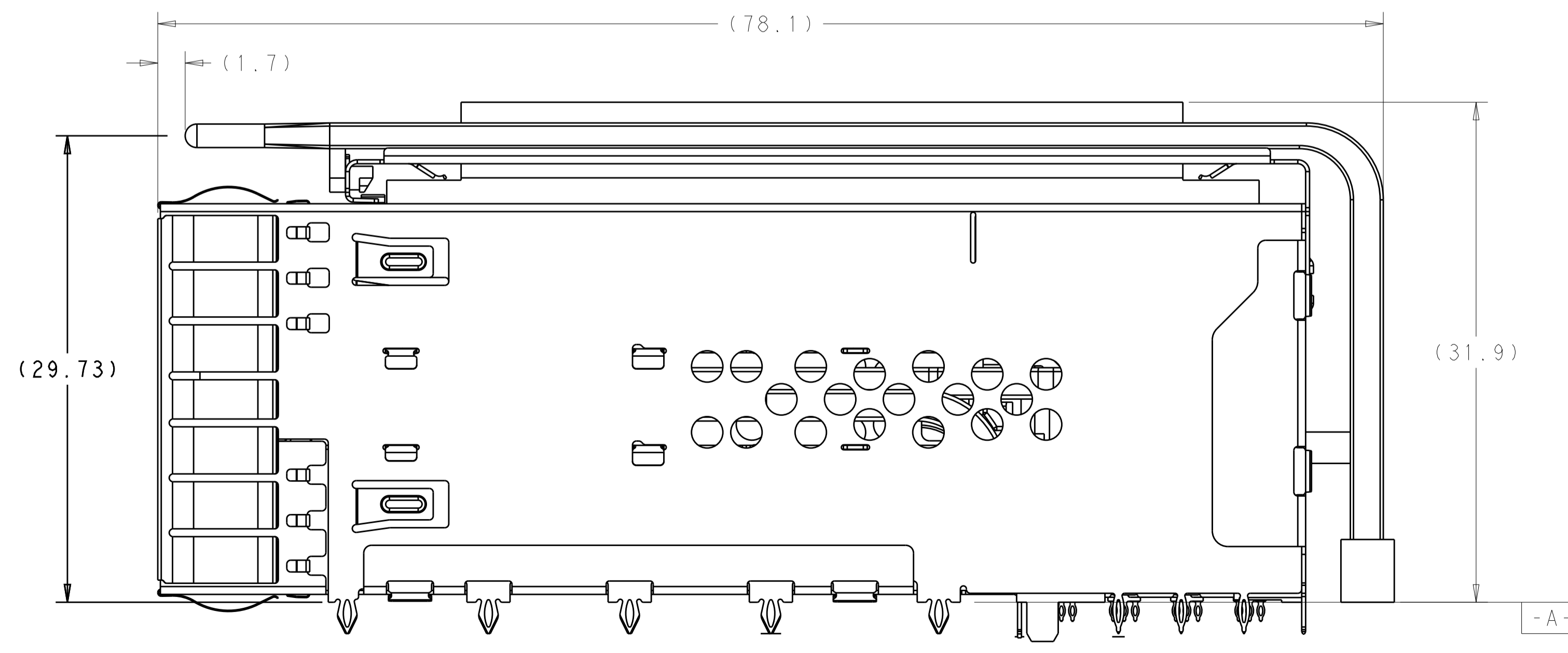
2-2227669-0  
 LEFT INDICATOR UP  
 SCALE 4:1



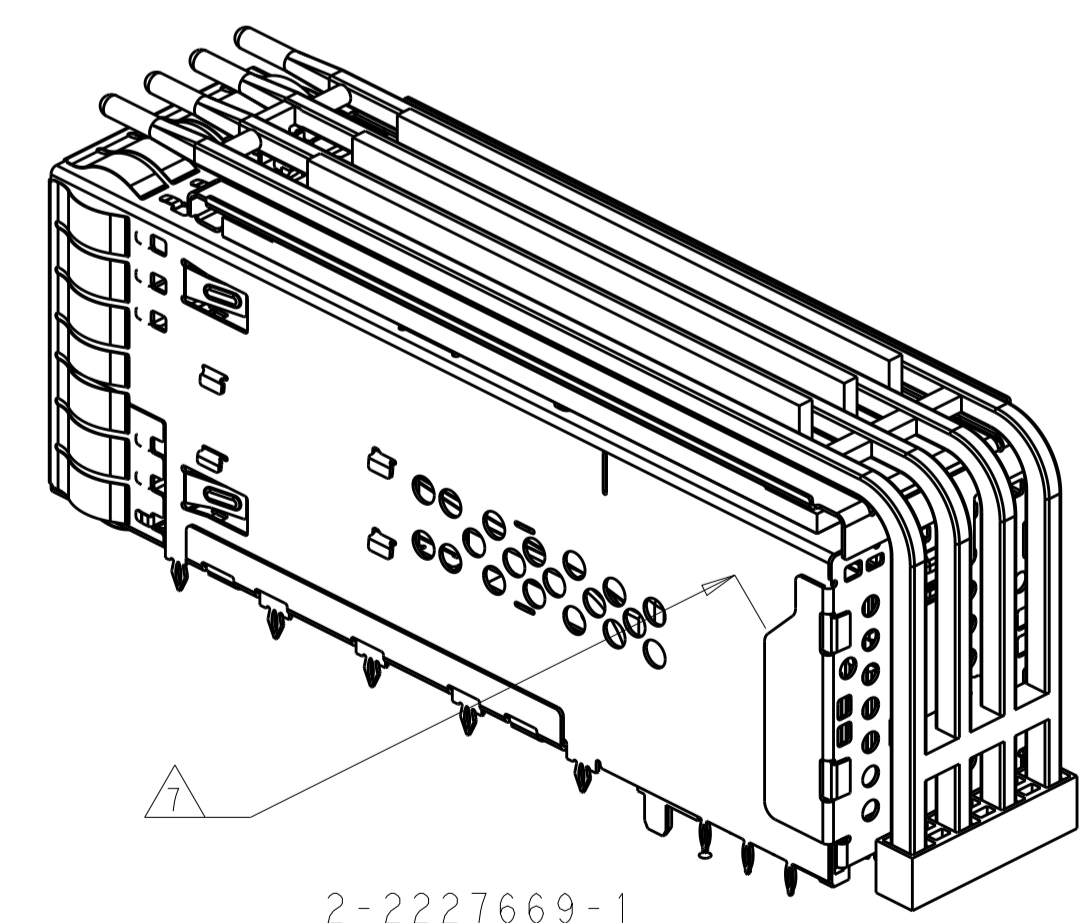
2-2227669-0  
 SCALE 2:1



2-2227669-1  
 ALL ROUND INDICATORS, 8LP  
 SCALE 4:1



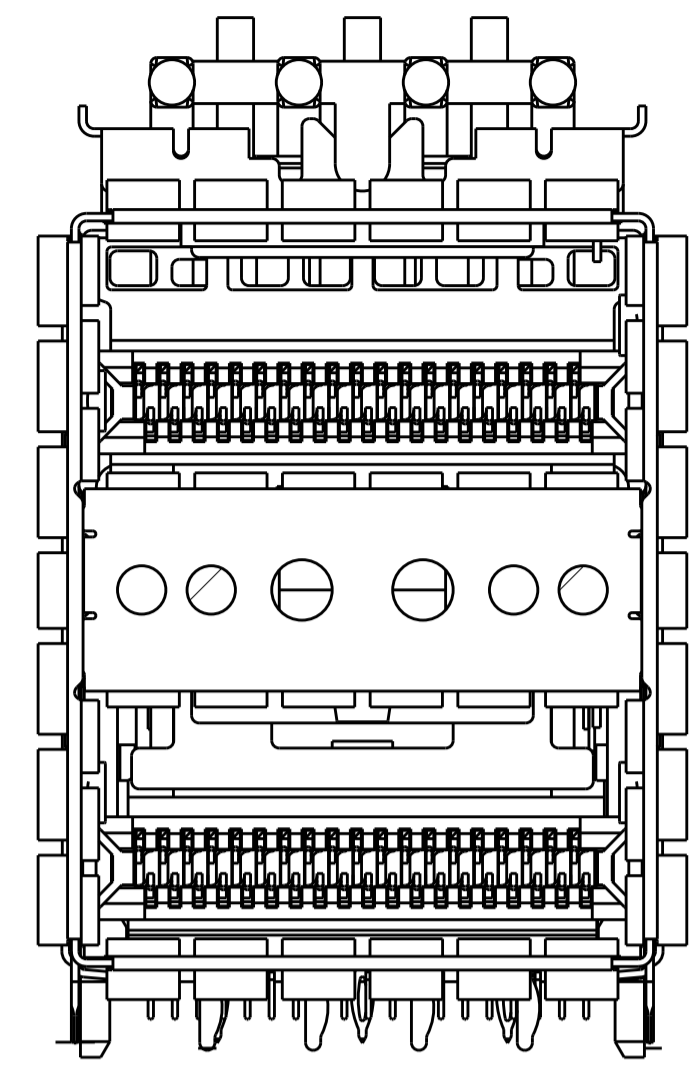
2-2227669-1  
 2-2227669-2



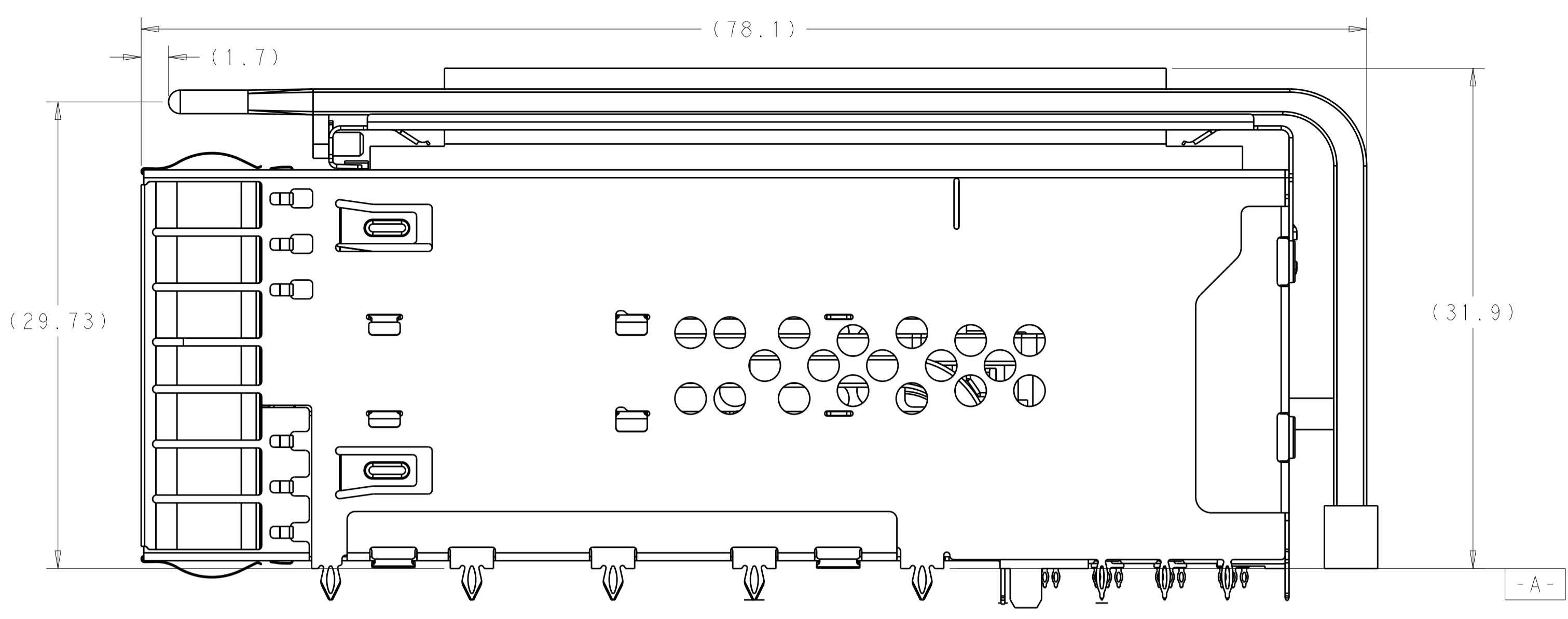
2-2227669-1  
 2-2227669-2  
 SCALE 2:1

THIS DRAWING IS A CONTROLLED DOCUMENT.		OWN: M. SHIRK 16JAN2013	TE Connectivity
DIMENSIONS: mm		CHK: D. SZCZESNY 16JAN2013	
TOLERANCES UNLESS OTHERWISE SPECIFIED:		APVD:	NAME:
0 PLC	±	PRODUCT SPEC	CAGE AND CONNECTOR ASSEMBLY, WITH
1 PLC	±0.25	108-60102	EMI SPRING FINGERS, THRU BEZEL, 2X1,
2 PLC	±0.15	APPLICATION SPEC	ZOSFP+ STACKED
3 PLC	±	SIZE: CAGE CODE DRAWING NO	RESTRICTED TO
4 PLC	±	114-60015	A100779C=2227669
ANGLES	±	WEIGHT	SCALE 4:1 SHEET 2 OF 8 REV F
MATERIAL	FINISH	CUSTOMER DRAWING	
SEE NOTE 1			

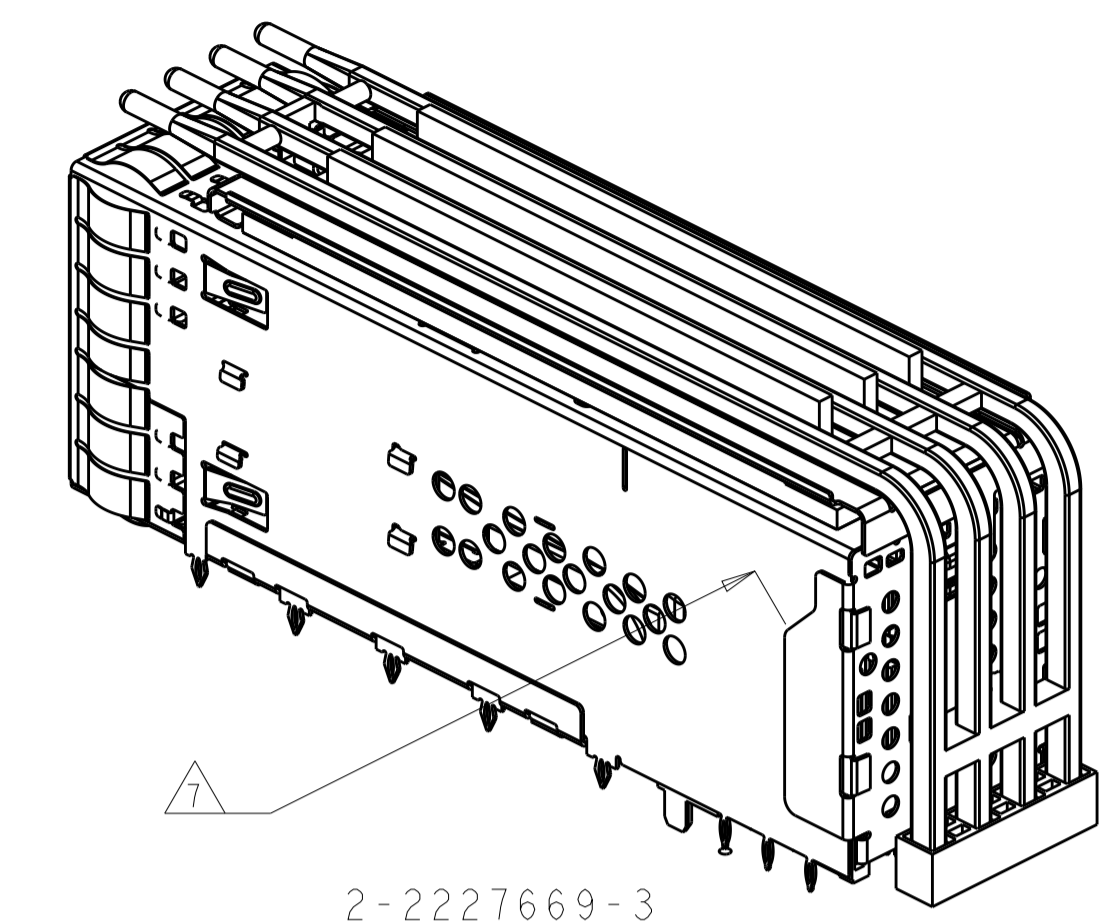
LOC		DIST		REVISIONS			
GP	00	P	LTN	DESCRIPTION	DATE	DMN	APVD
		-		SEE SHEET 1			



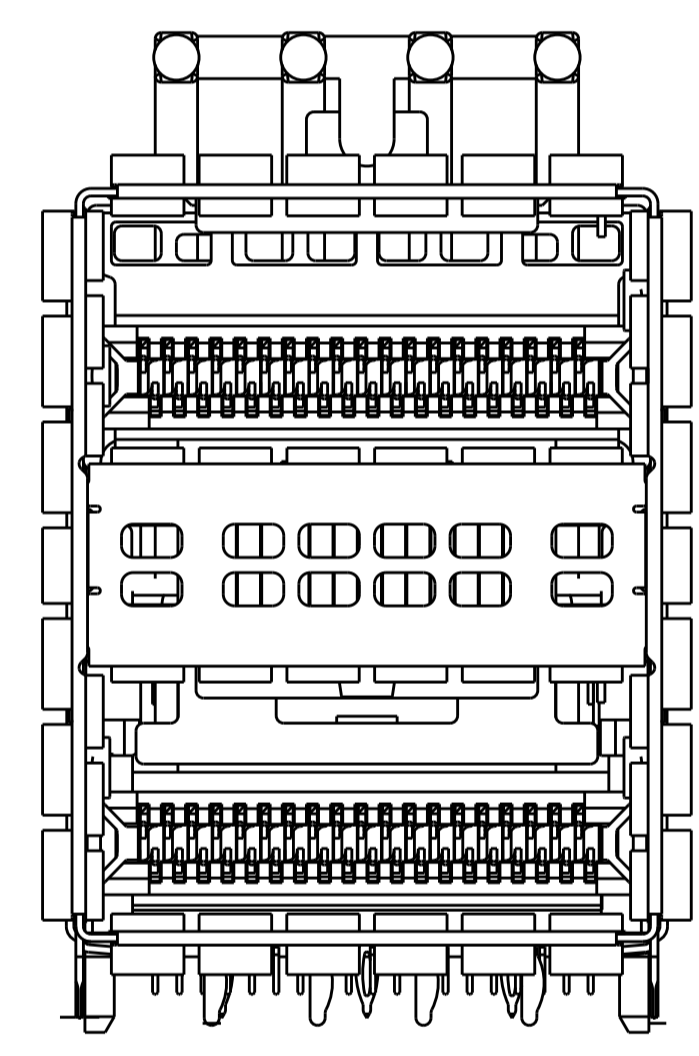
2-2227669-3  
 ALL ROUND INDICATORS, 8LP  
 SCALE 4:1



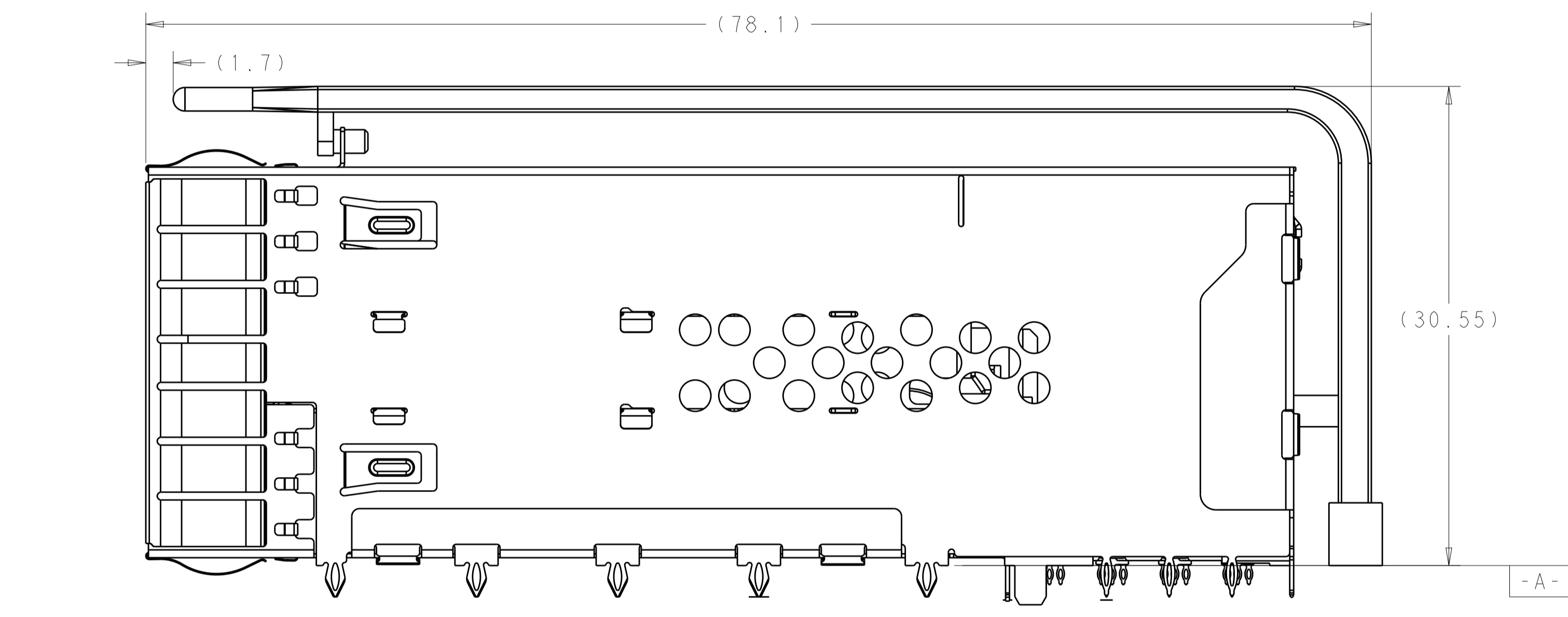
2-2227669-3



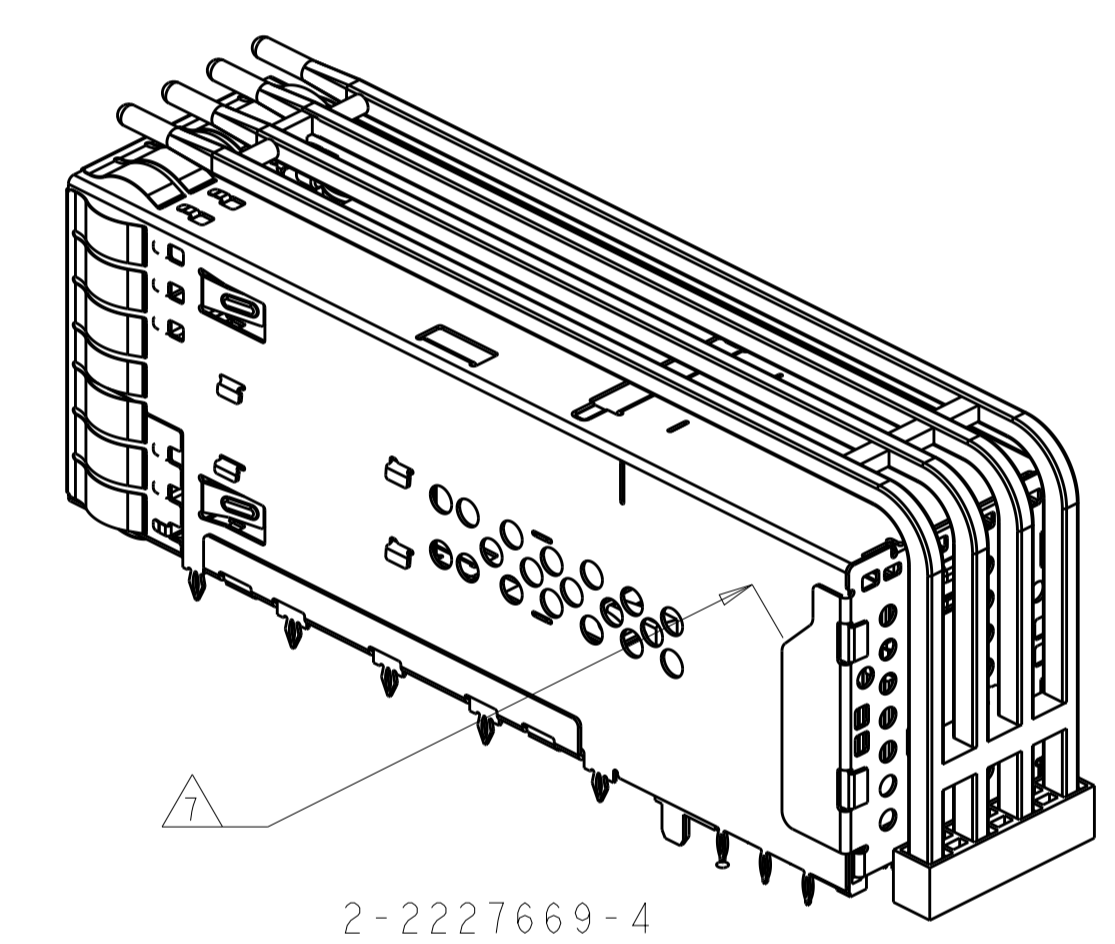
2-2227669-3  
 SCALE 2:1



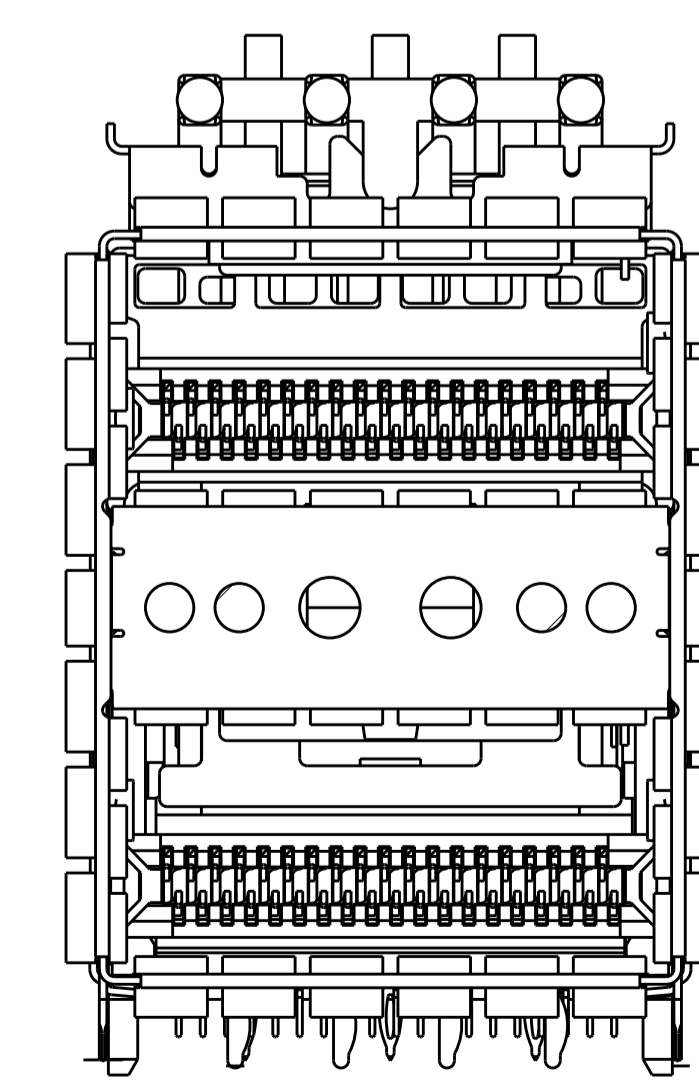
2-2227669-4  
 4 UPPER LP  
 SCALE 4:1



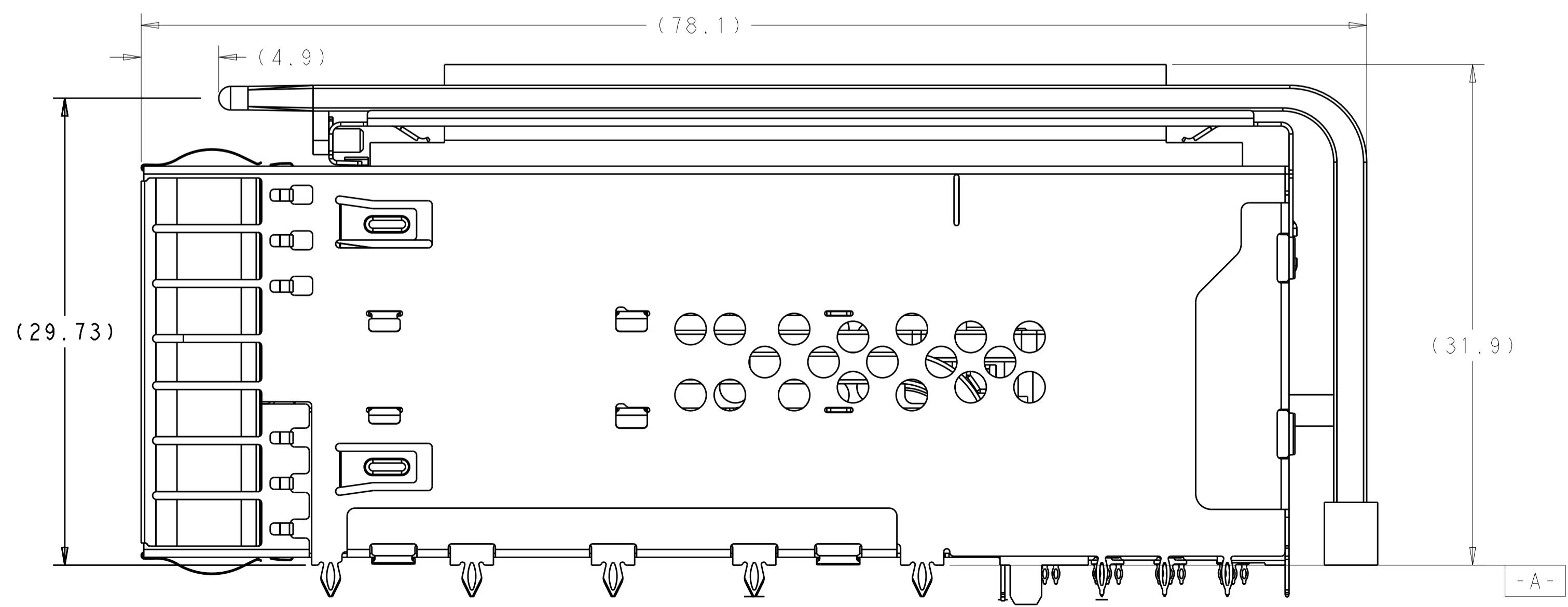
2-2227669-4



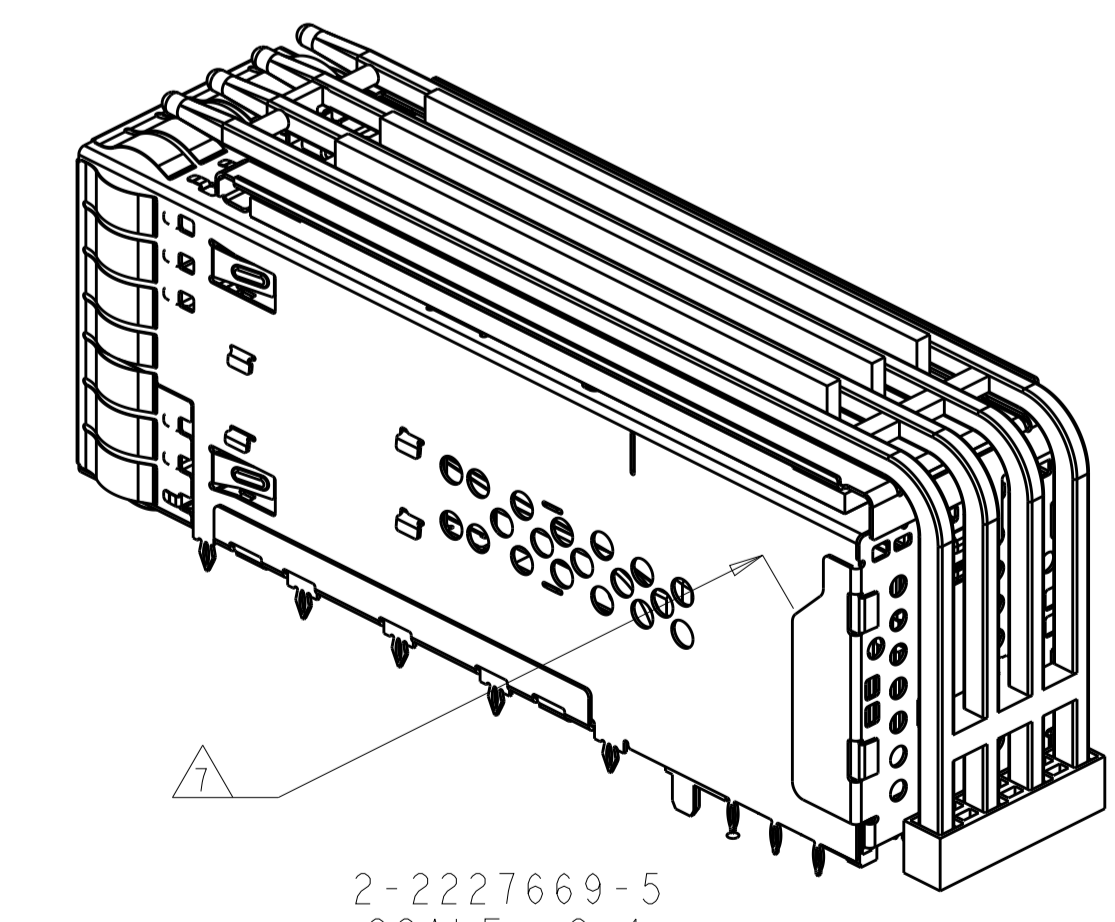
2-2227669-4  
 SCALE 2:1



2-2227669-5  
 ALL ROUND INDICATORS, 8LP  
 SCALE 4:1



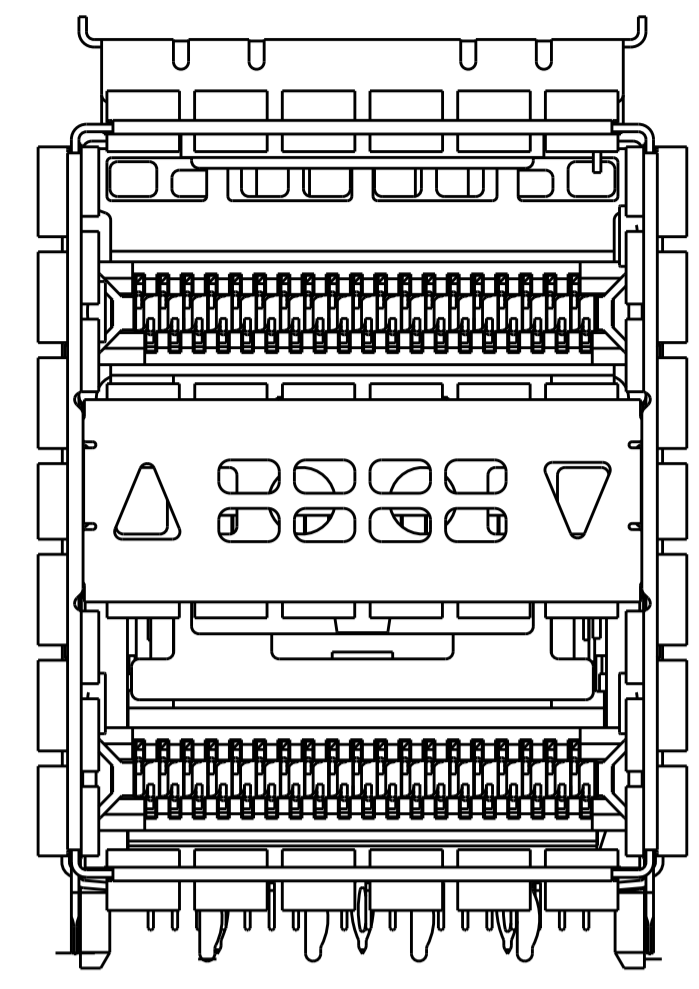
2-2227669-5



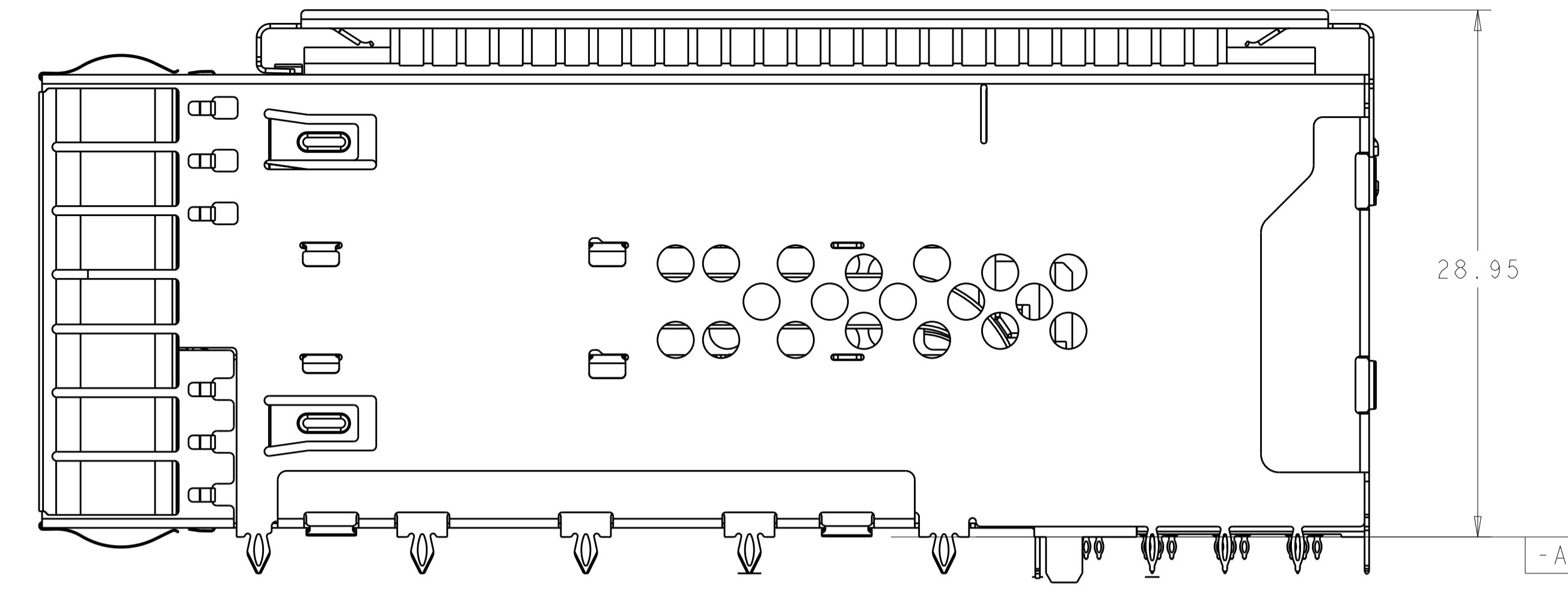
2-2227669-5  
 SCALE 2:1

THIS DRAWING IS A CONTROLLED DOCUMENT.		DMN: M. SHIRK 16JAN2013	TE Connectivity
DIMENSIONS:		CHK: D. SZCZESNY 16JAN2013	
mm	0 PLC ±	APVD: -	NAME: CAGE AND CONNECTOR ASSEMBLY, WITH EMI SPRING FINGERS, THRU BEZEL, 2X1, ZOSFP+ STACKED
	1 PLC ±0.25	PRODUCT SPEC: 108-60102	SIZE: CAGE CODE DRAWING NO. RESTRICTED TO
	2 PLC ±0.15	APPLICATION SPEC: 114-60015	A100779C=2227669
	3 PLC ±	WEIGHT: -	SCALE 4:1 SHEET 3 OF 8 REV F
	4 PLC ±	CUSTOMER DRAWING	
MATERIAL: SEE NOTE 1	FINISH: -		

LOC	DIST	REVISIONS			
GP	00	REV	DATE	BY	APPV
-	-	SEE SHEET 1	-	-	-



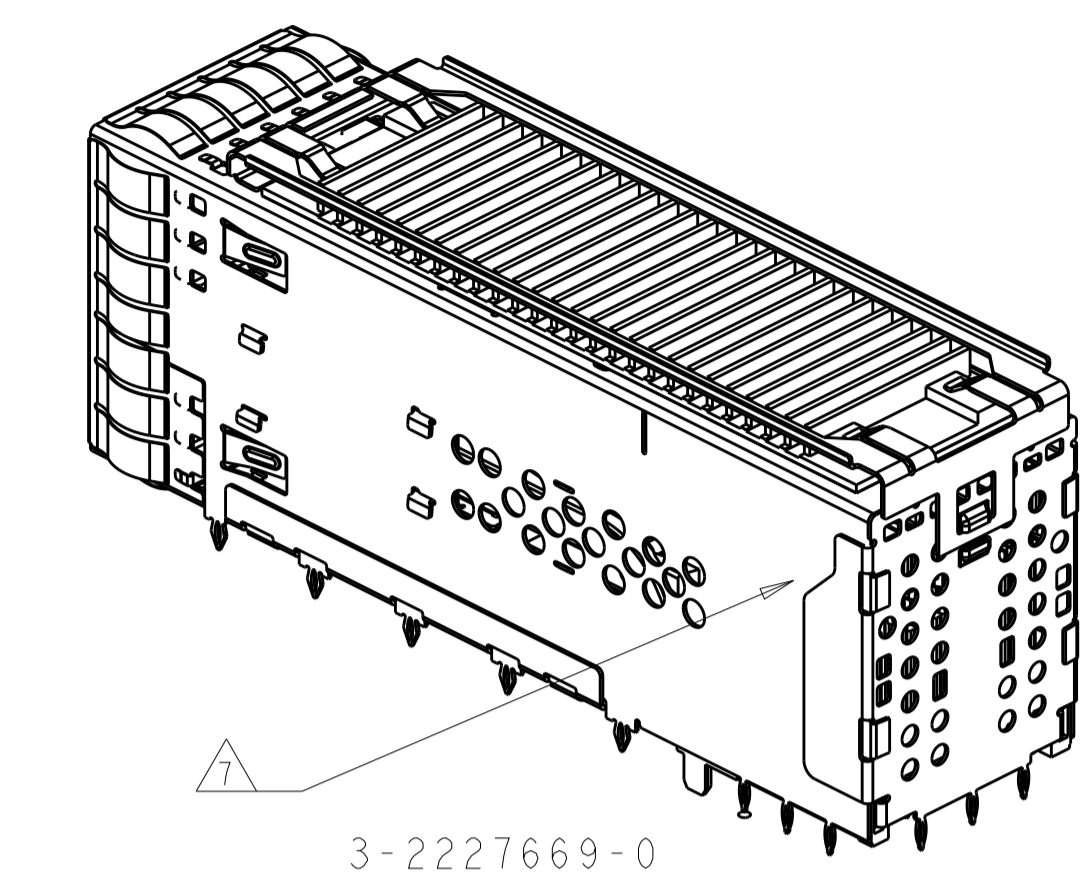
3-2227669-0  
 LEFT INDICATOR UP  
 SCALE 4:1



3-2227669-0

28.95

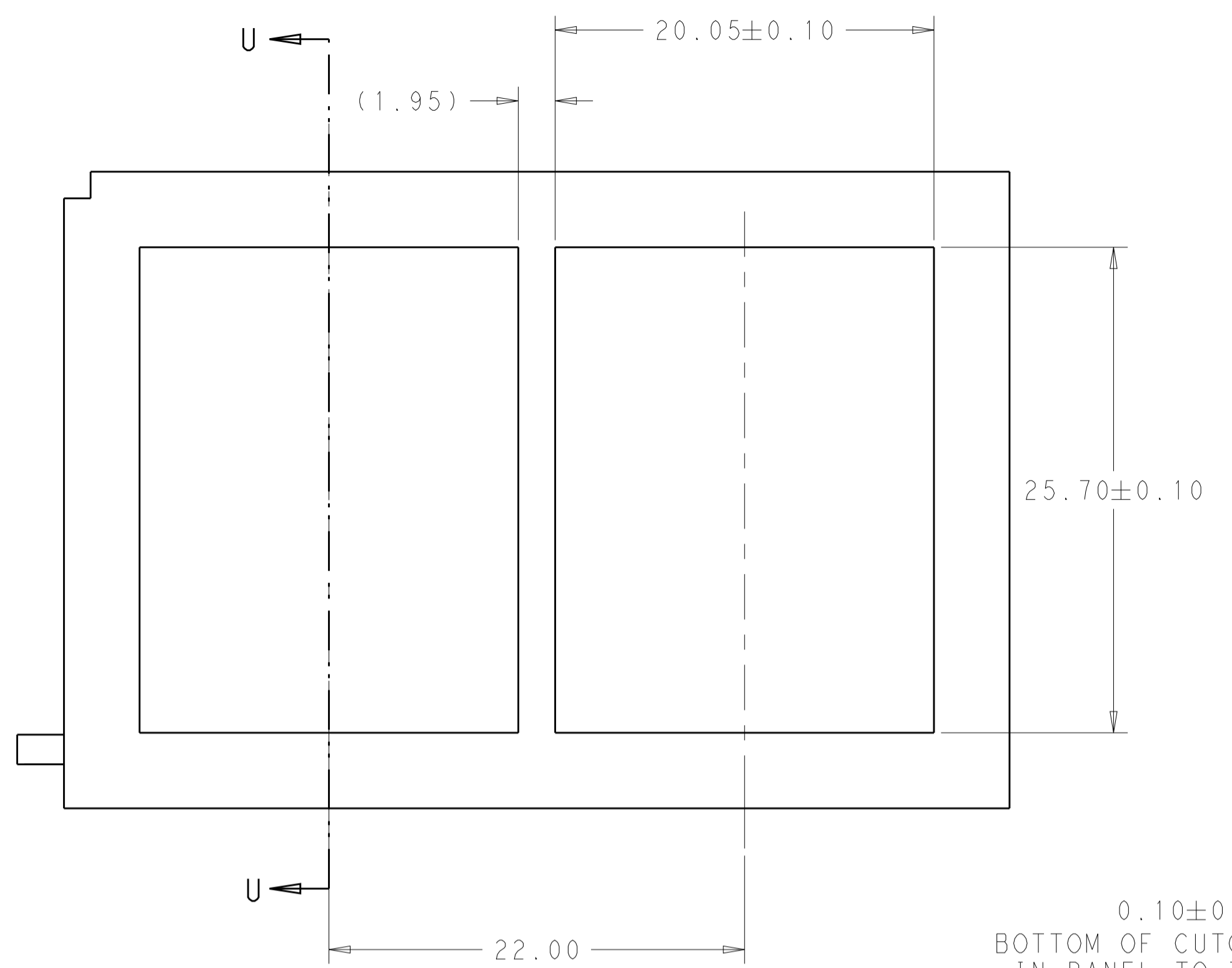
-A-



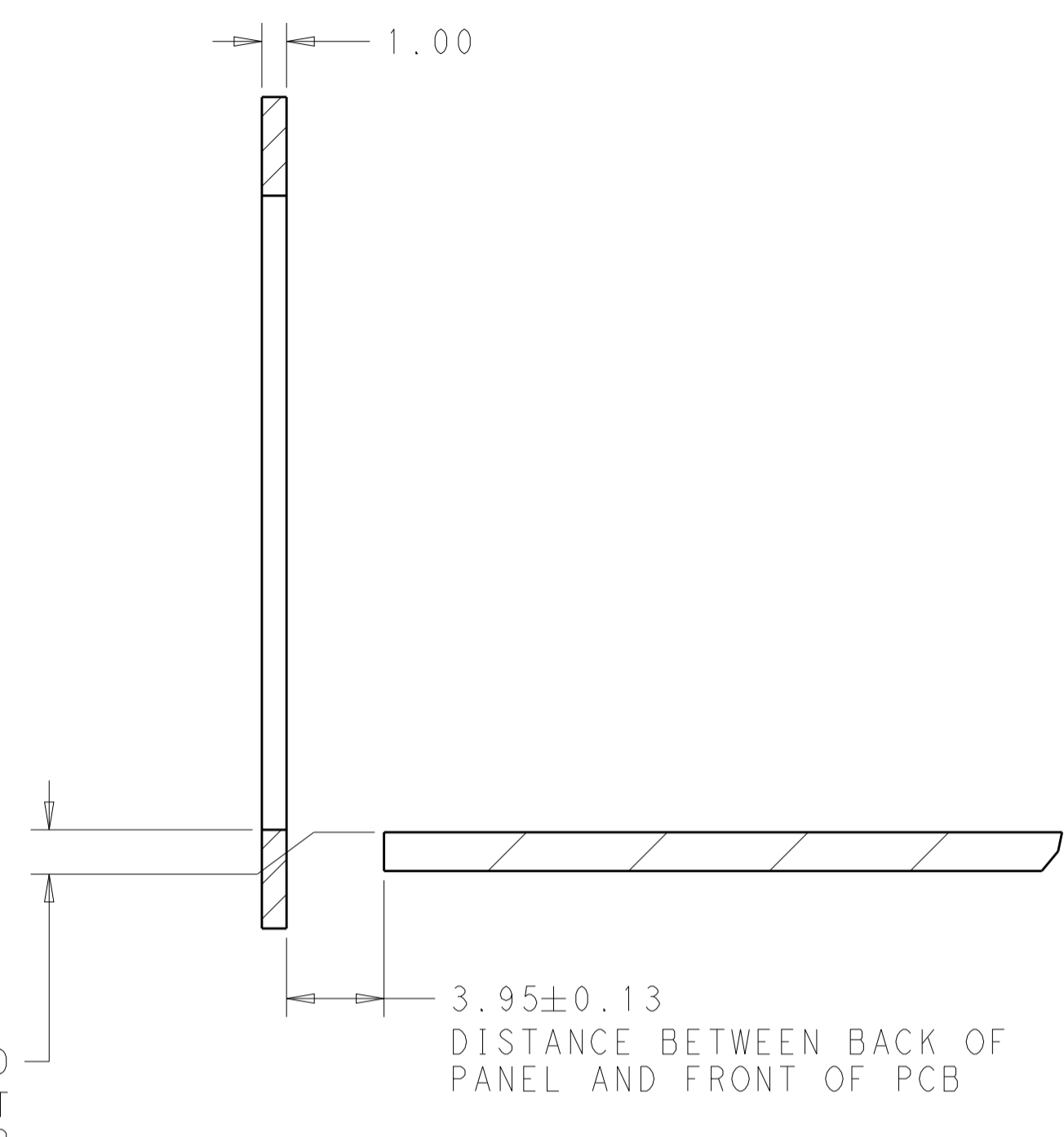
3-2227669-0  
 SCALE 2:1

THIS DRAWING IS A CONTROLLED DOCUMENT.		OWN: M. SHIRK 16JAN2013	TE Connectivity
DIMENSIONS:		CHK: D. SZCZESNY 16JAN2013	
mm	0 PLC ± 1 PLC ±0.25 2 PLC ±0.15 3 PLC ± 4 PLC ± ANGLES ±	APVD: -	NAME: CAGE AND CONNECTOR ASSEMBLY, WITH EMI SPRING FINGERS, THRU BEZEL, 2X1, ZOSFP+ STACKED
TOLERANCES UNLESS OTHERWISE SPECIFIED:		PRODUCT SPEC: 108-60102	RESTRICTED TO: -
MATERIAL: SEE NOTE 1		APPLICATION SPEC: 114-60015	SIZE: A1
		WEIGHT: -	CAGE CODE: 100779
		CUSTOMER DRAWING	DRAWING NO: 2227669
		SCALE: 4:1	SHEET 4 OF 8
			REV F

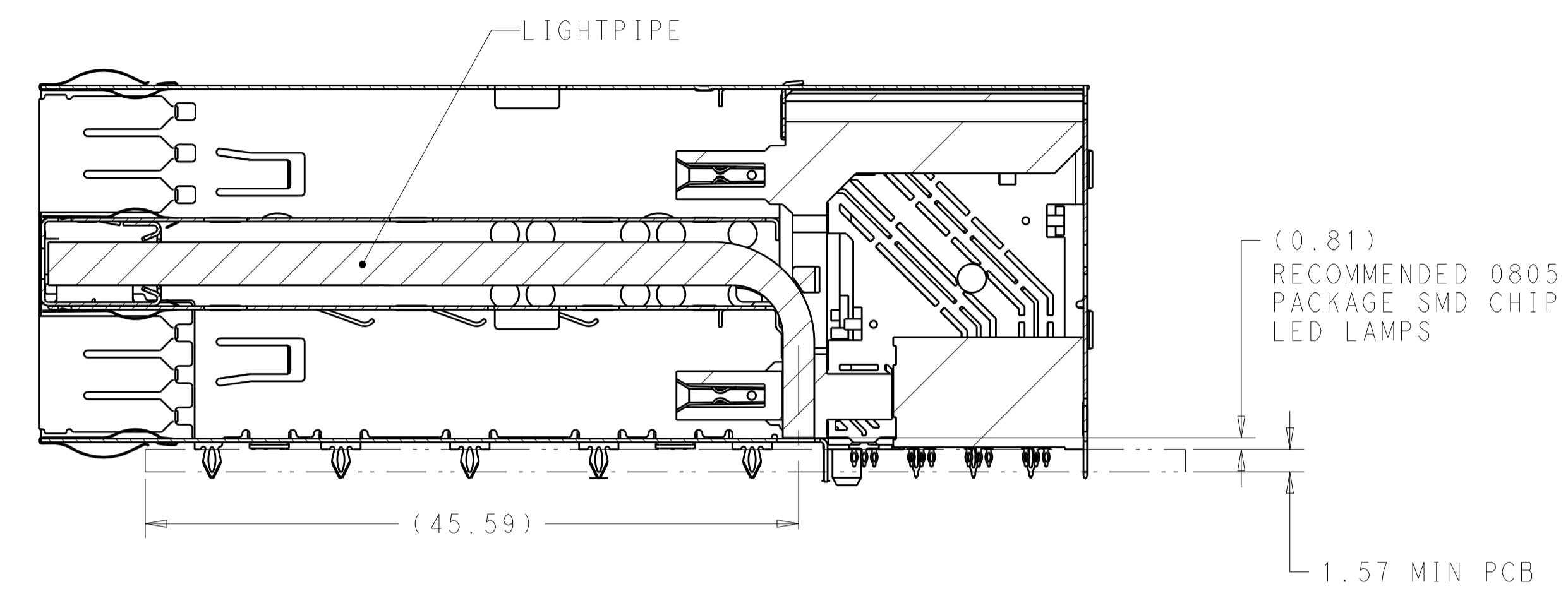
LOC	DIST	REVISIONS			
P	LTN	DESCRIPTION	DATE	DMN	APVD
GP	00	SEE SHEET 1	-	-	-



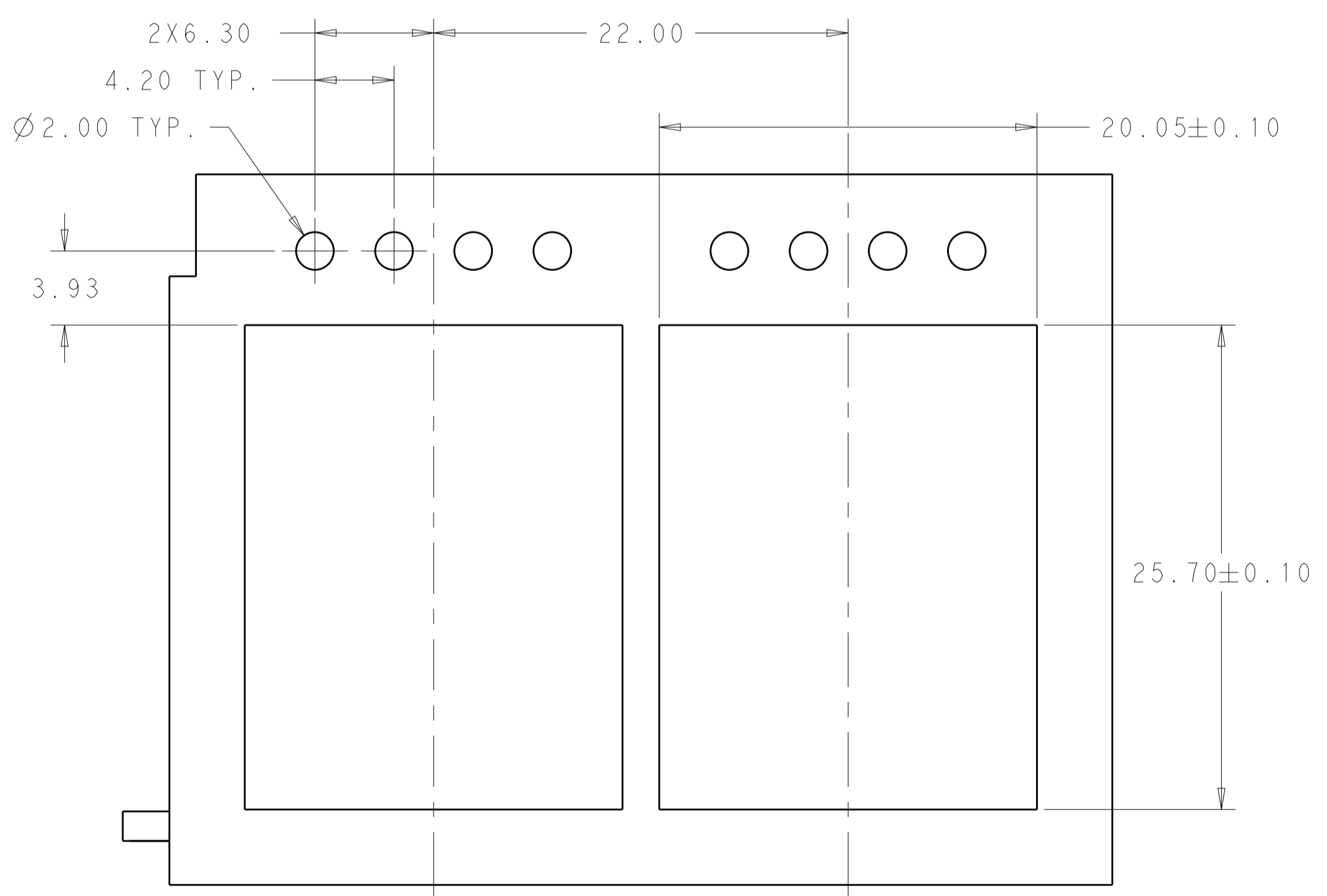
RECOMMENDED PANEL CUTOUT AND PC BOARD, PANEL POSITION



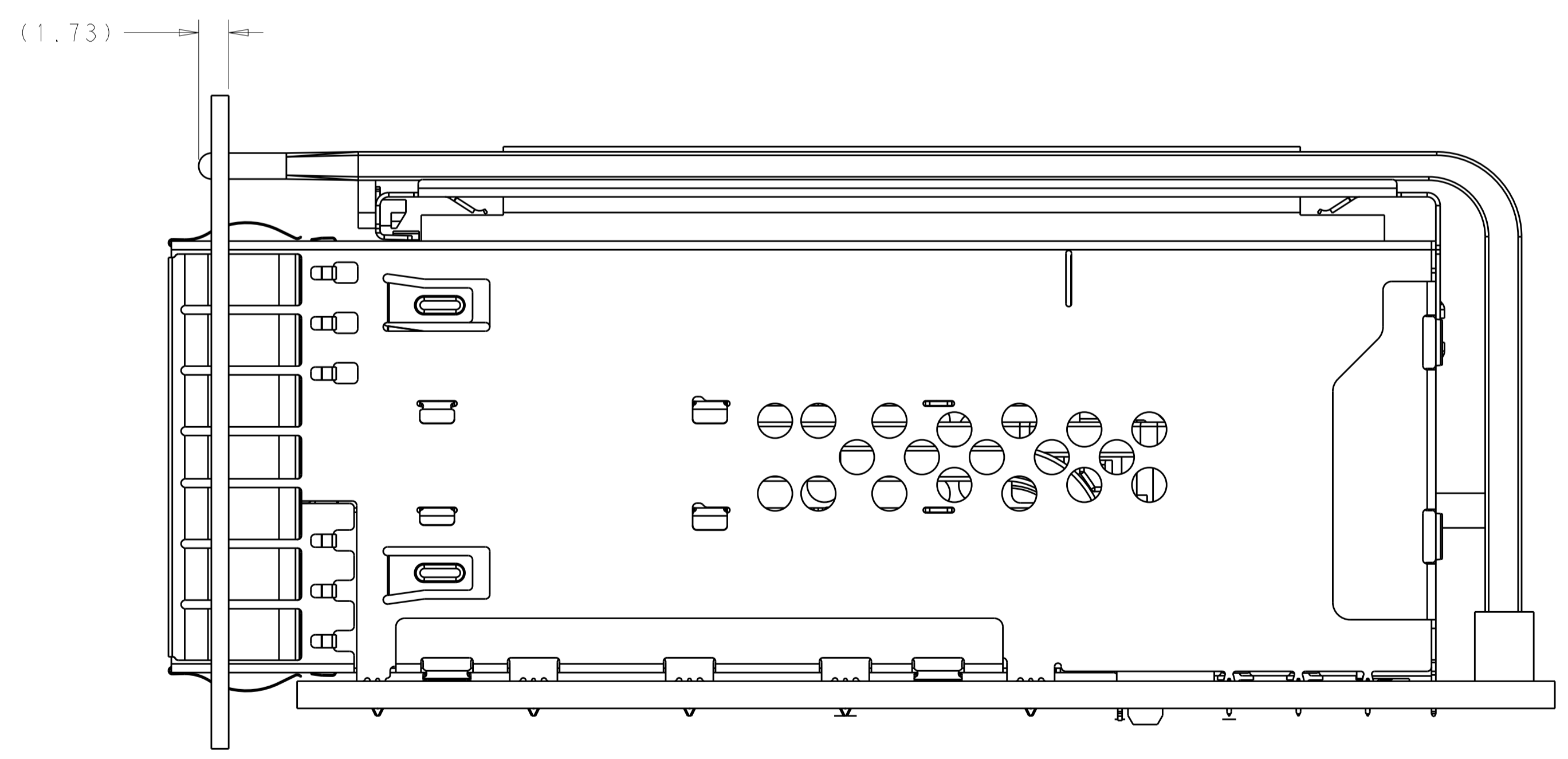
SECTION U-U



SECTION V-V  
SCALE 3:1

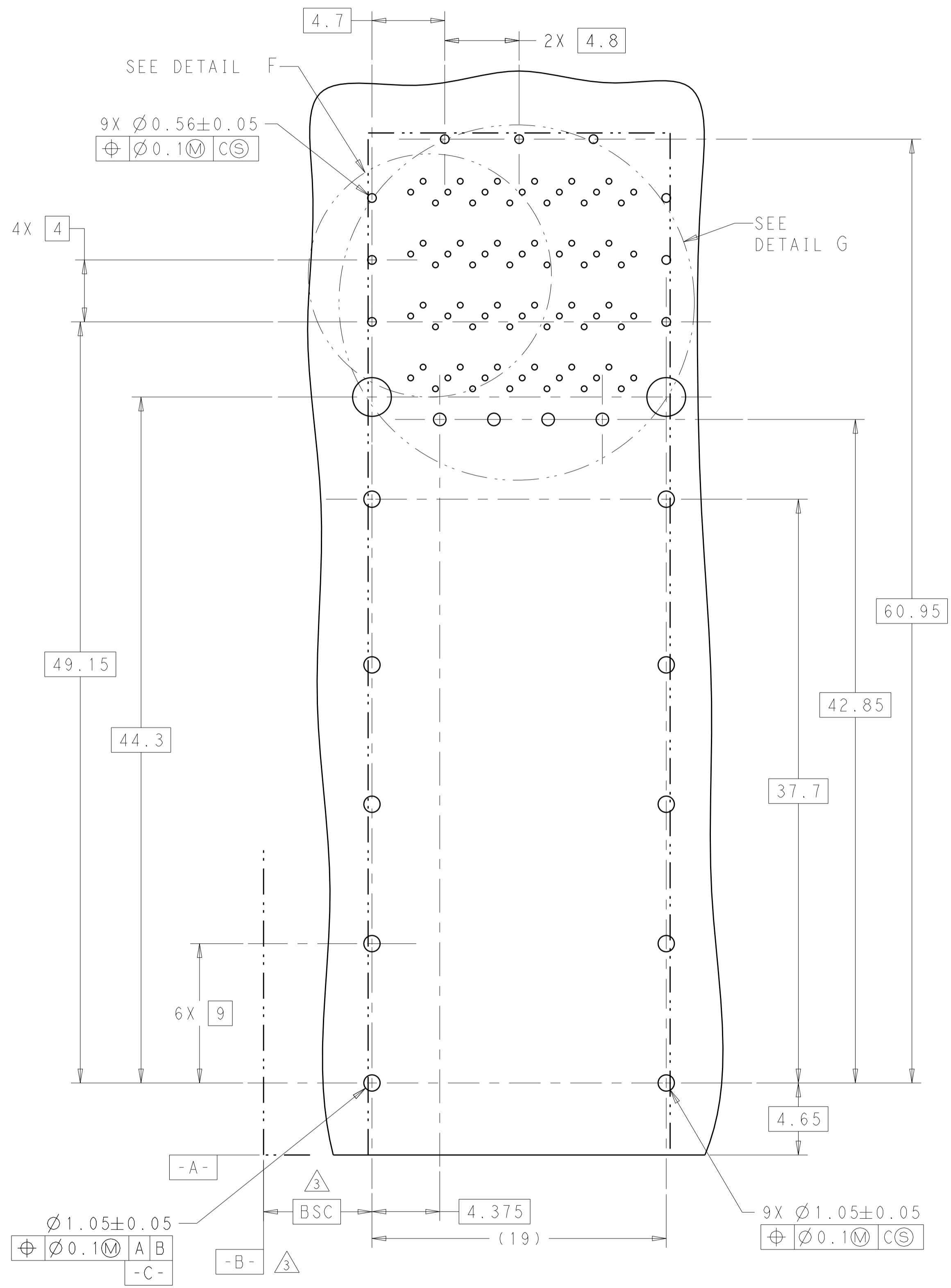


RECOMMENDED PANEL CUTOUT AND PC BOARD, PANEL POSITION FOR 2-2227669-1  
SCALE 4:1

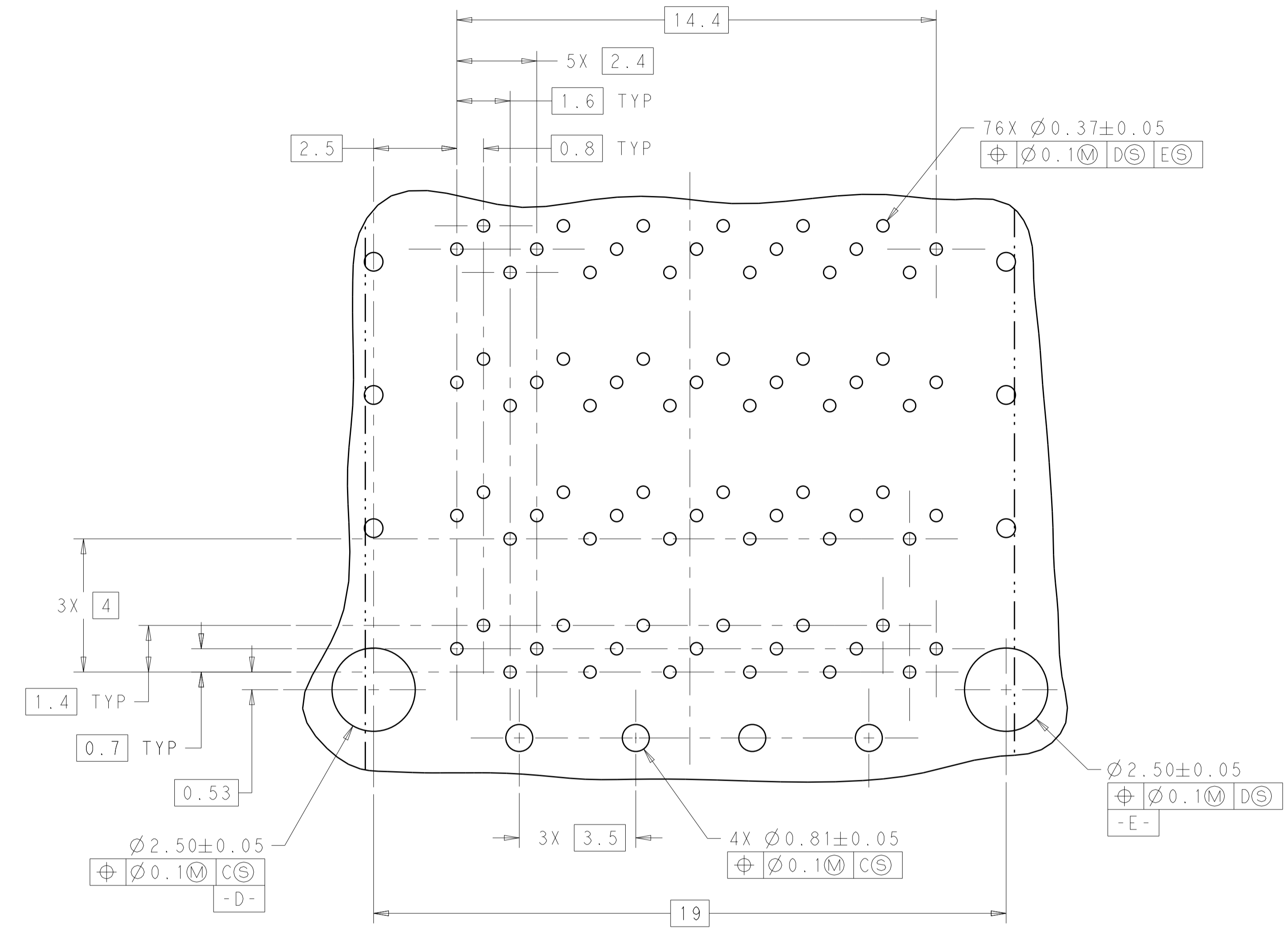


THIS DRAWING IS A CONTROLLED DOCUMENT.		DMN: M. SHIRK 16JAN2013	TE Connectivity
DIMENSIONS: mm		CHK: D. SZCZESNY 16JAN2013	
TOLERANCES UNLESS OTHERWISE SPECIFIED:		APVD: -	NAME: CAGE AND CONNECTOR ASSEMBLY, WITH EMI SPRING FINGERS, THRU BEZEL, 2X1, ZOSFP+ STACKED
0 PLC	±	PRODUCT SPEC	SIZE: 114-60015
1 PLC	±0.25	APPLICATION SPEC	WEIGHT: -
2 PLC	±0.15	RESTRICTED TO	A100779C=2227669
3 PLC	±	CUSTOMER DRAWING	SCALE 4:1 SHEET 5 OF 8 REV F
4 PLC	±		
ANGLES	±		
MATERIAL	FINISH		
SEE NOTE 1			

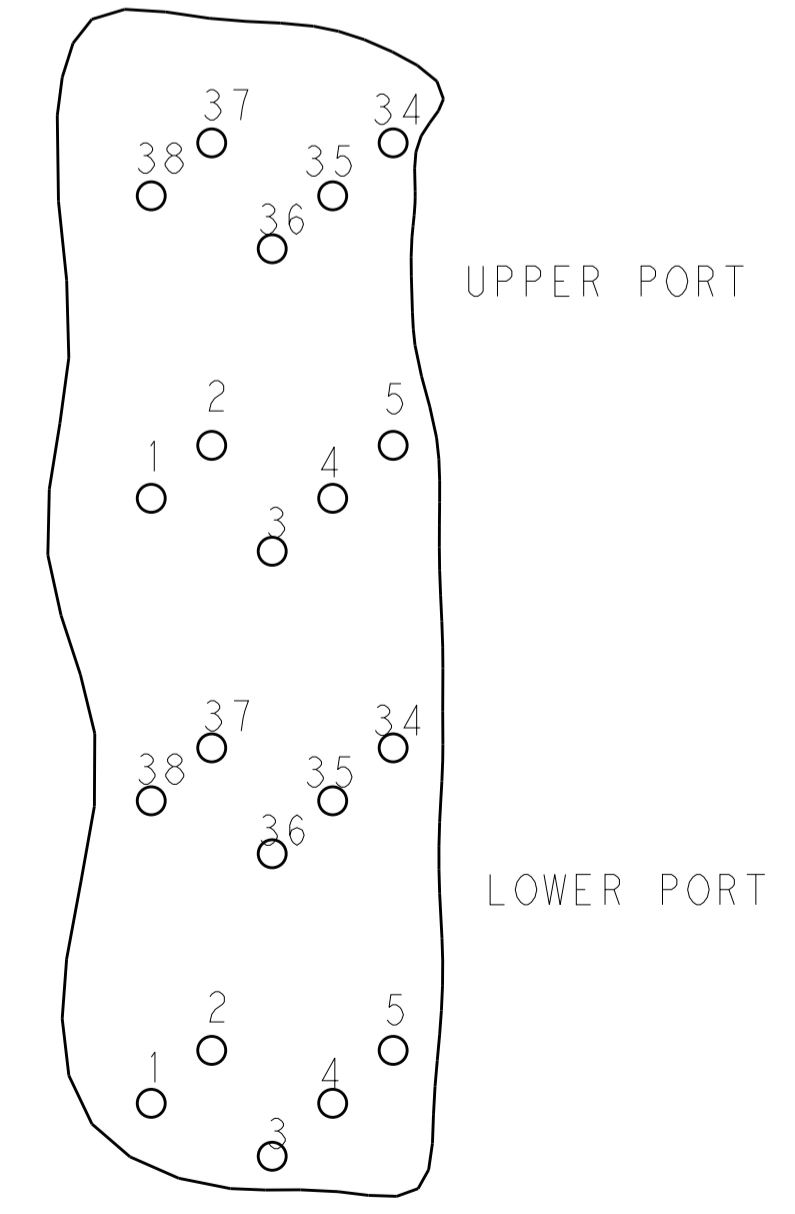
LOC	DIST	REVISIONS			
GP	00	REV	DATE	BY	APPV
		1	SEE SHEET 1		



RECOMMENDED PC BOARD LAYOUT  
 COMPONENT SIDE OF BOARD  
 SCALE 5:1  
 (PCB TOLERANCE: ±0.05)



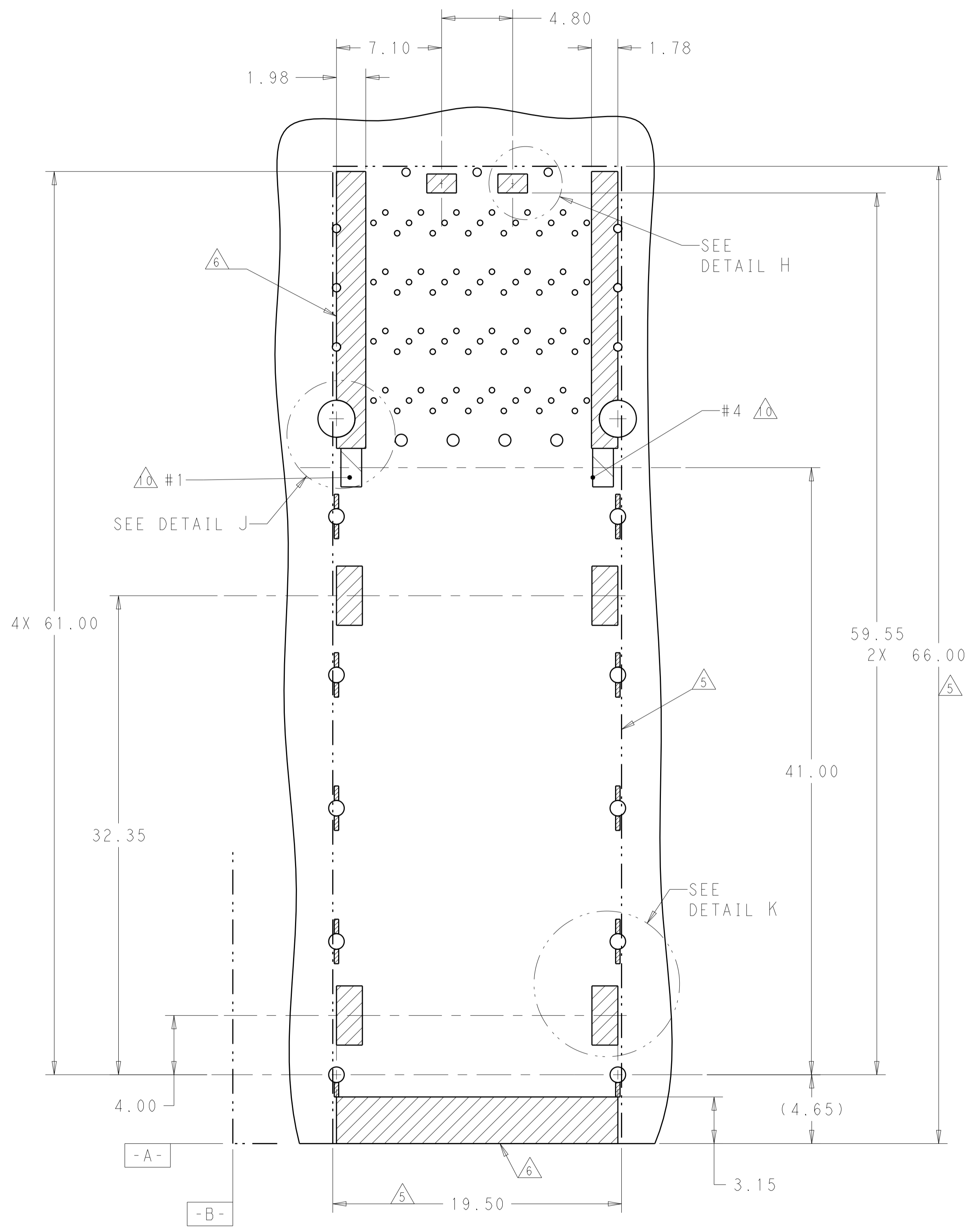
DETAIL G  
 SCALE 10:1



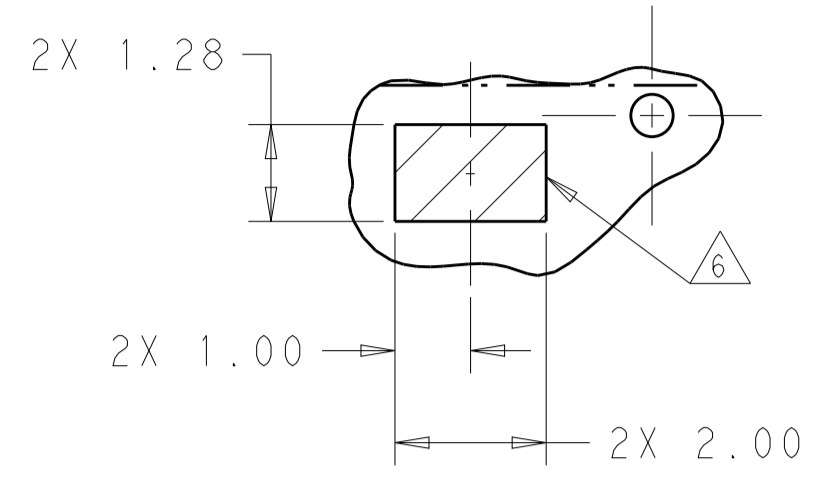
DETAIL F  
 SCALE 10:1  
 PIN ASSIGNMENTS

THIS DRAWING IS A CONTROLLED DOCUMENT.		OWN: M. SHIRK 16JAN2013	TE Connectivity
DIMENSIONS: mm		CHK: D. SZCZESNY 16JAN2013	
TOLERANCES UNLESS OTHERWISE SPECIFIED:		APVD: -	NAME: CAGE AND CONNECTOR ASSEMBLY, WITH EMI SPRING FINGERS, THRU BEZEL, 2X1, ZQSFP+ STACKED
0 PLC ±0.25	1 PLC ±0.15	PRODUCT SPEC: 108-60102	SIZE: 114-60015
2 PLC ±0.15	3 PLC ±0.15	APPLICATION SPEC: -	RESTRICTED TO: -
4 PLC ±0.15	5 PLC ±0.15	WEIGHT: -	A100779C=2227669
ANGLES ±0.15	FINISH: -	CUSTOMER DRAWING	SCALE: 4:1 SHEET: 6 OF 8 REV: F

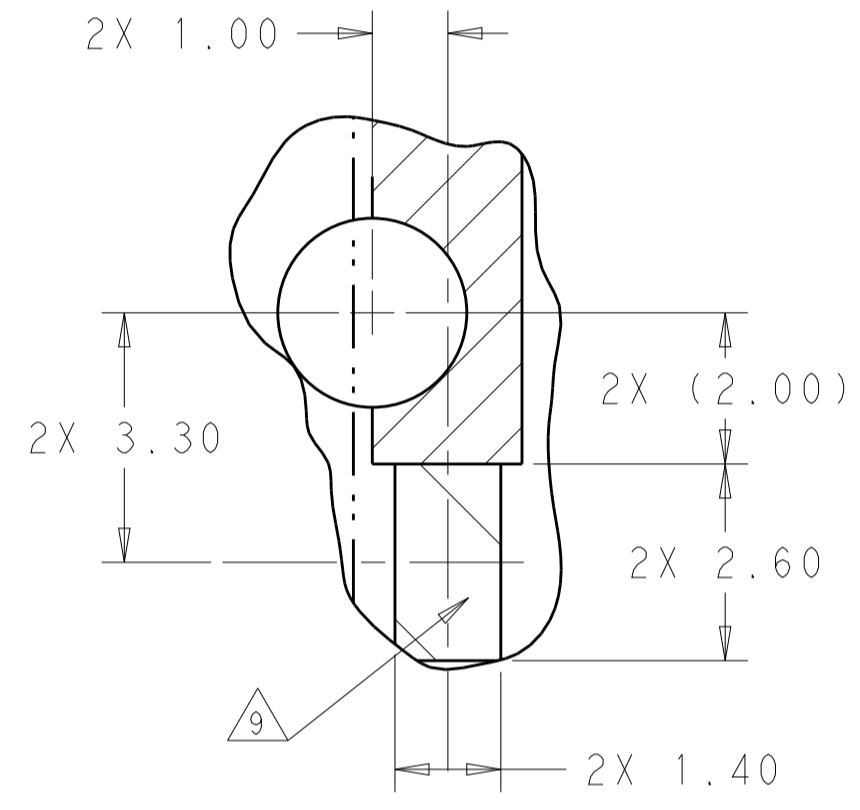
LOC		DIST		REVISIONS			
GP	00	P	LTN	DESCRIPTION	DATE	DMN	APVD
		-		SEE SHEET 1			



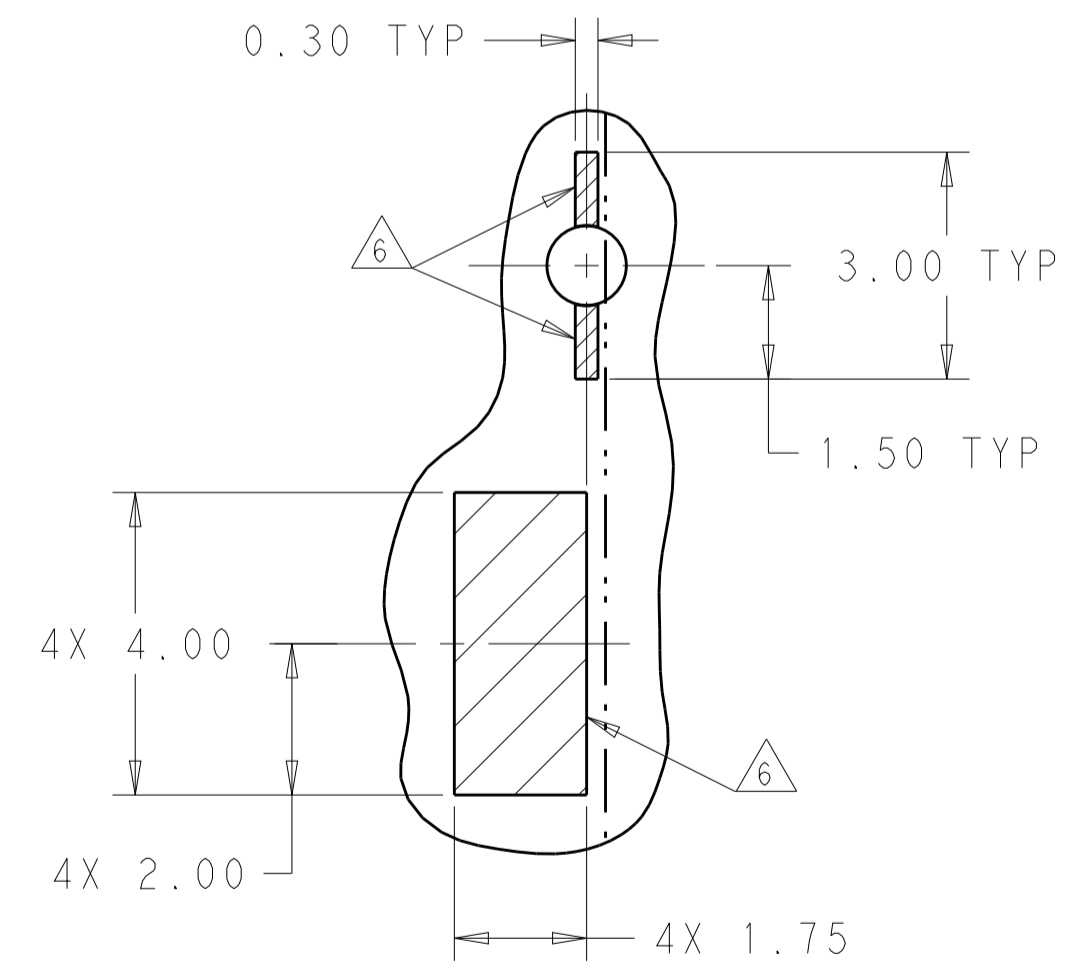
KEEPOUT AREAS FOR 2LP APPLICATION  
 COMPONENT SIDE OF BOARD  
 SCALE 5:1



DETAIL H  
 SCALE 10:1



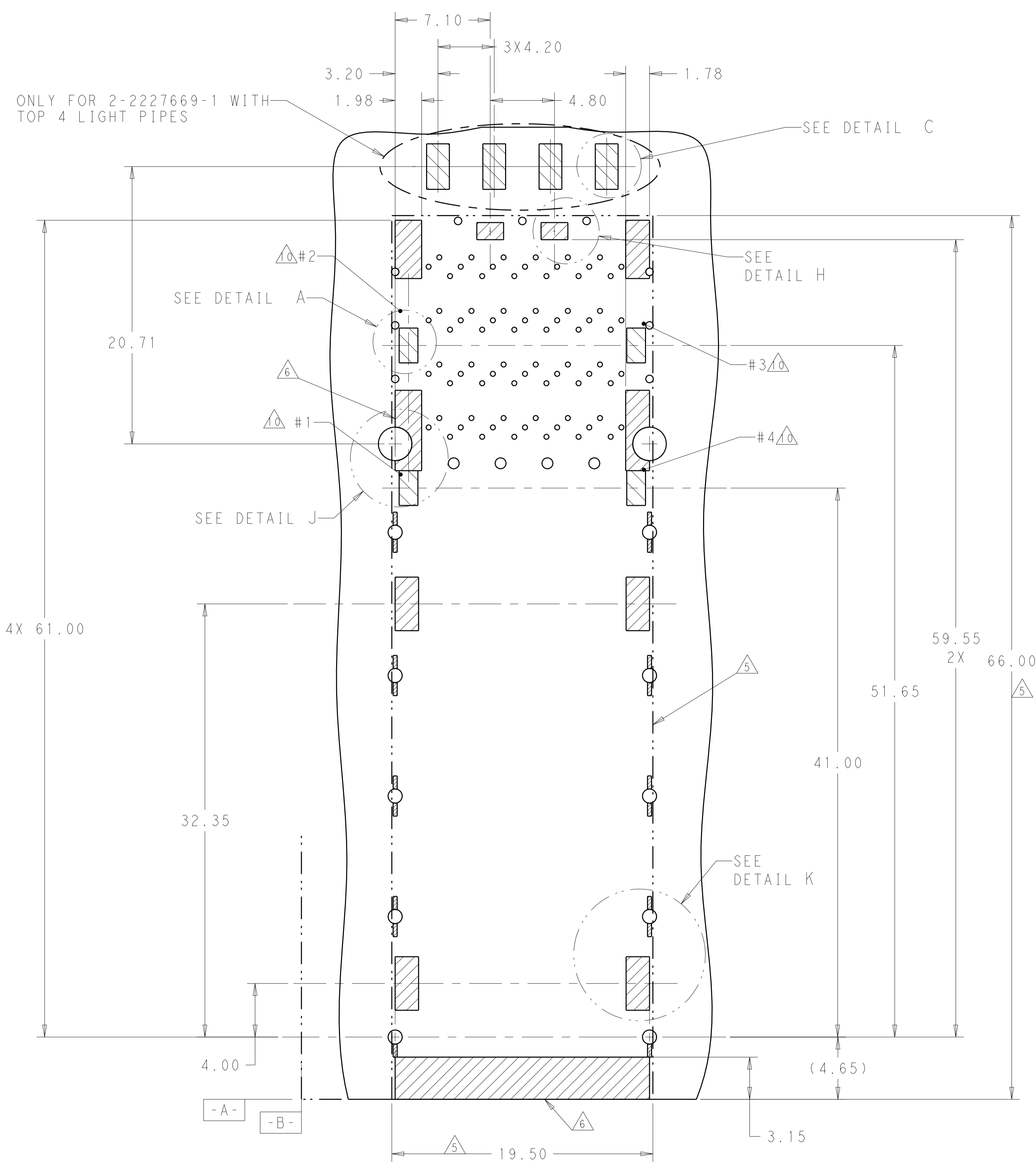
DETAIL J  
 LED PADS  
 SCALE 10:1



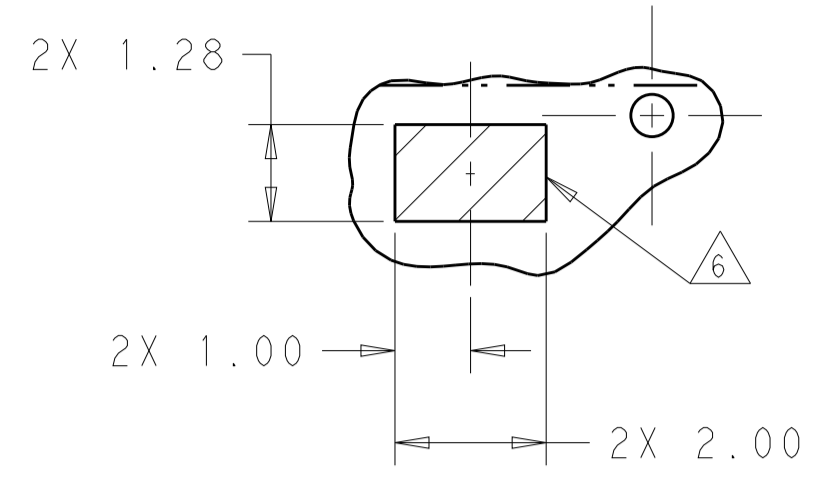
DETAIL K  
 SCALE 10:1

THIS DRAWING IS A CONTROLLED DOCUMENT.		DMN M. SHIRK 16JAN2013	NAME	TE Connectivity CAGE AND CONNECTOR ASSEMBLY, WITH EMI SPRING FINGERS, THRU BEZEL, 2X1, ZQSPF+ STACKED
DIMENSIONS:		CHK D. SZCZESNY 16JAN2013	APVD	
mm	TOLERANCES UNLESS OTHERWISE SPECIFIED:	PRODUCT SPEC		RESTRICTED TO
	0 PLC ± 1 PLC ±0.25 2 PLC ±0.15 3 PLC ± 4 PLC ± ANGLES ±	APPLICATION SPEC		
MATERIAL	FINISH	114-60015	SIZE	A100779C=2227669
SEE NOTE 1		WEIGHT	CAGE CODE DRAWING NO	
CUSTOMER DRAWING		SCALE 4:1		SHEET 7 OF 8

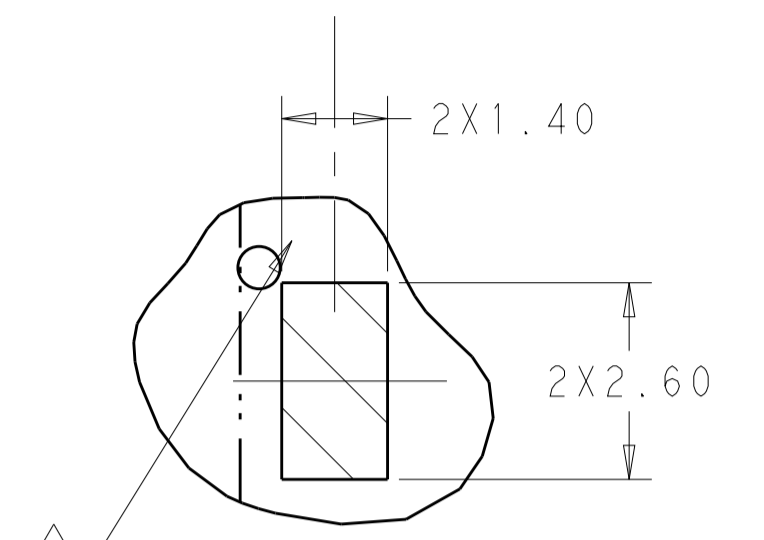
LOC	DIST	REVISIONS			
GP	00	REV	DATE	BY	APPV
-	-	SEE SHEET 1	-	-	-



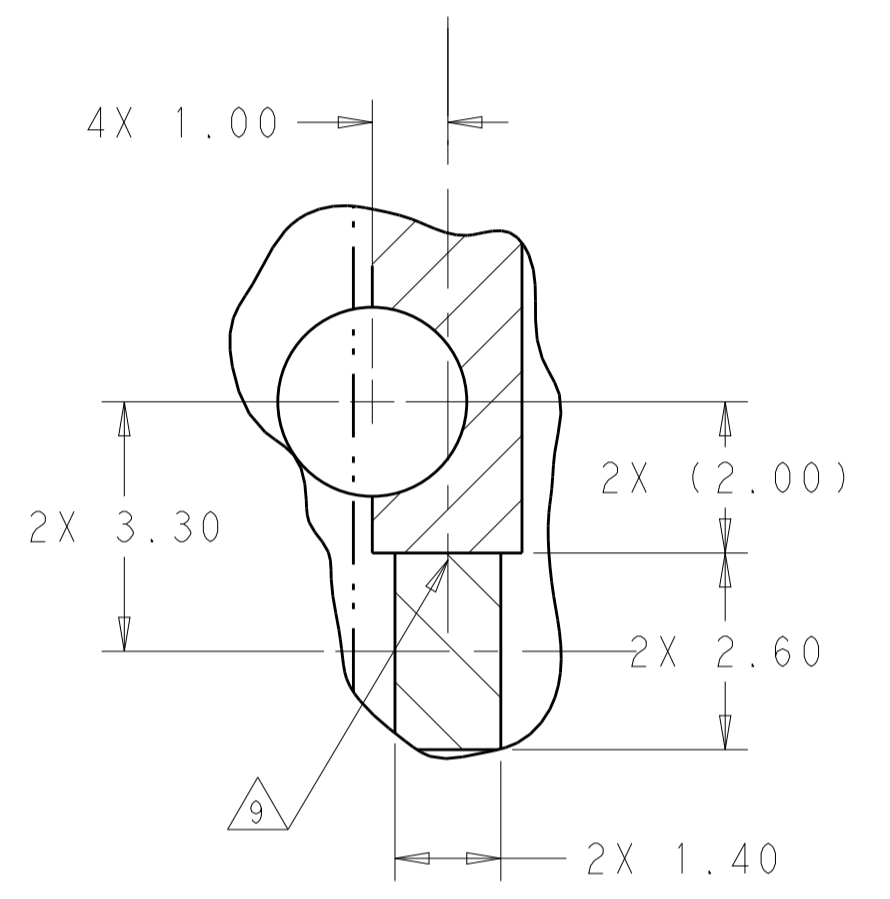
KEEPOUT AREAS FOR 4 LP APPLICATON  
 COMPONENT SIDE OF BOARD  
 SCALE 5:1



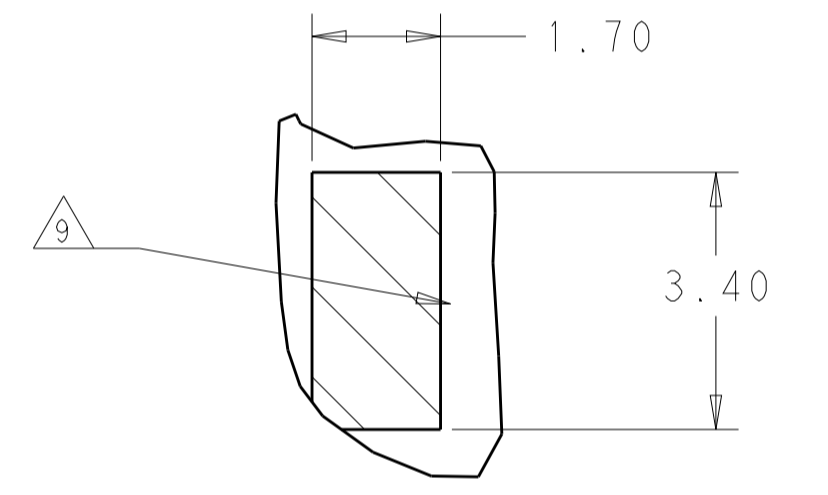
DETAIL H  
 SCALE 10:1



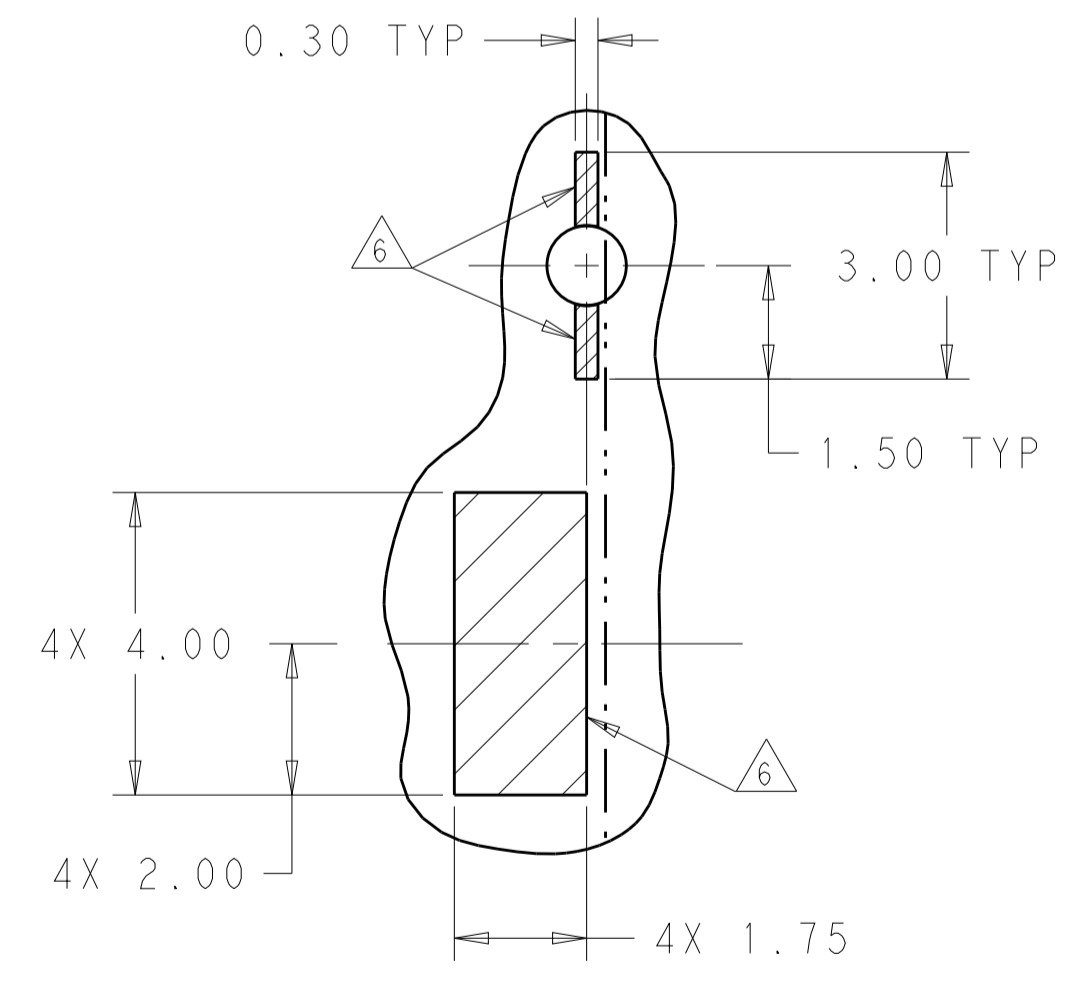
DETAIL A  
 SCALE 10:1



DETAIL J  
 LED PADS  
 SCALE 10:1



DETAIL C  
 SCALE 10:1



DETAIL K  
 SCALE 10:1

THIS DRAWING IS A CONTROLLED DOCUMENT.		OWN: M. SHIRK 16JAN2013	TE Connectivity
DIMENSIONS: mm		CHK: D. SZCZESNY 16JAN2013	
TOLERANCES UNLESS OTHERWISE SPECIFIED:		APVD: -	NAME: CAGE AND CONNECTOR ASSEMBLY, WITH EMI SPRING FINGERS, THRU BEZEL, 2X1, ZOSFP+ STACKED
0 PLC ±0.25	1 PLC ±0.15	PRODUCT SPEC: 108-60102	RESTRICTED TO: -
2 PLC ±0.15	3 PLC ±0.15	APPLICATION SPEC: 114-60015	SCALE: 1:1
4 PLC ±0.15	ANGLES ±0.15	WEIGHT: -	SHEET 8 OF 8
MATERIAL: SEE NOTE 1		FINISH: -	REV F
CUSTOMER DRAWING		SIZE: A1	REV: -



单击下面可查看定价，库存，交付和生命周期等信息

[>>TE Connectivity\(泰科\)](#)