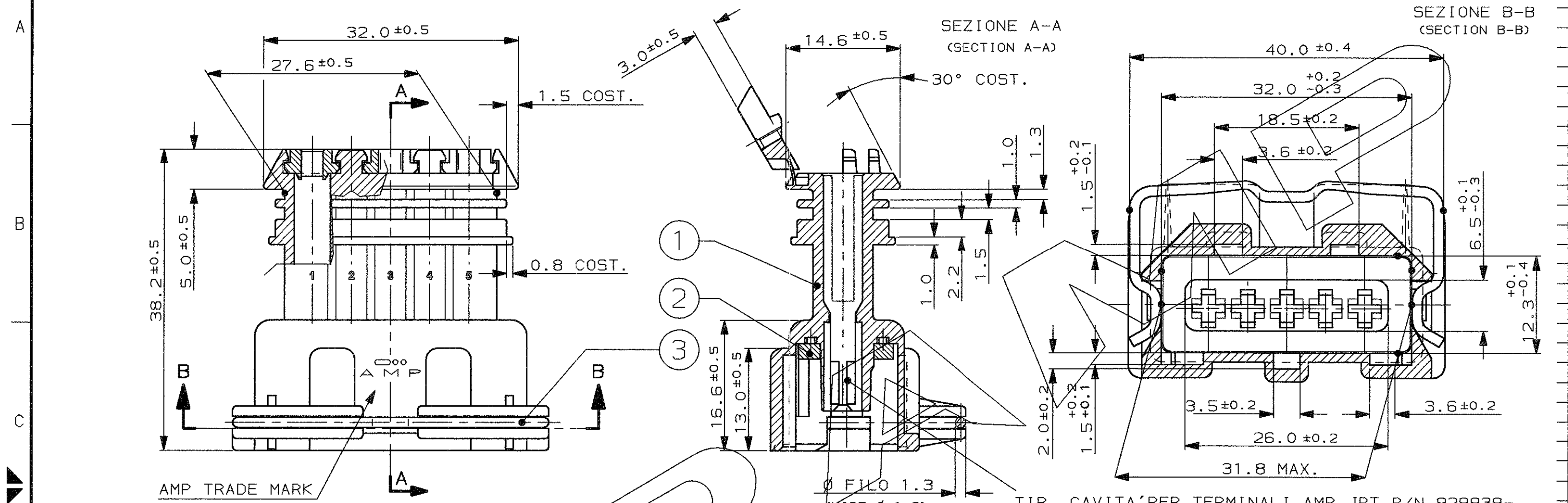
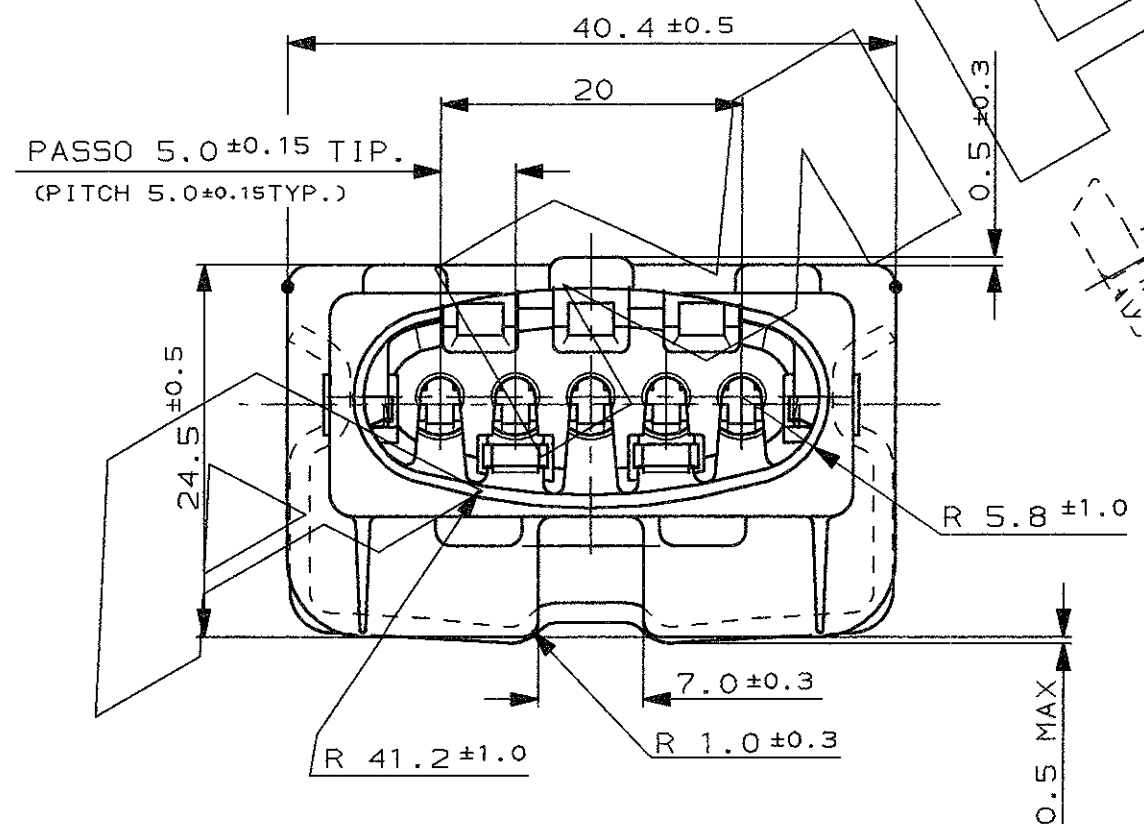


CONNETTORE TIPO A (CON MOLLA DI RITEGNO ESTERNA)
CONNECTOR TYPE B (WITH INTERNAL SPRING)



AMP TRADE MARK

TIP. CAVITA' PER TERMINALI AMP JPT P/N 929939-...
OPPURE 929937-... E RELATIVI GOMMINI
AMP P/N 828904-1, 828905-1, 282536-1.
TAPPO CAVITA' P/N 828906-2
(TYP. CAV. FOR JPT CONT. P/N 929939-... A/O 929937-... AND REL.
SINGLE WIRE SEAL P/N 828904-1, 828905-1, 282536-1
CAVITY PLUG P/N 828906-2)



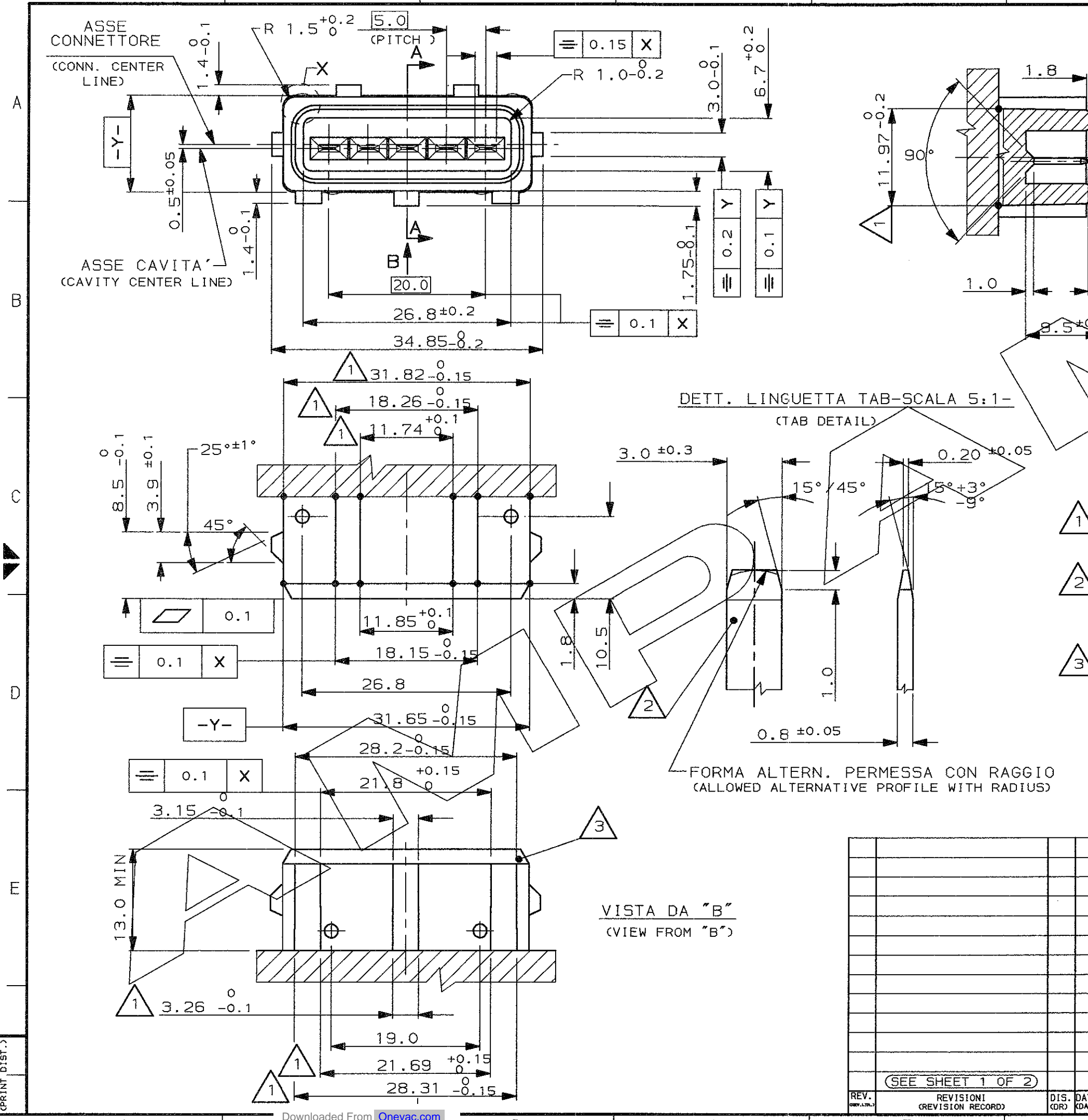
ASSE CAVITA' (CAVITY CENTER LINE)
ASSE CONNETTORE (CONNECTOR CENTER LINE)

3	//////	ACCIAIO INOX (STAINLESS STEEL)	MOLLA (SPRING)	
2	NATURALE (NATURAL)	GOMMA SILICONE (SILICONE RUBBER)	GUARNIZIONE (SEALING)	
1	//////	PA 6.6	BLOCCHETTO (HOUSING)	
REV. ASSY	N° (ITEM)	FINITURA / COLORE (FINISH / COLOUR)	MATERIALE (MATERIAL)	DESCRIZIONE (DESCRIPTION)
OBSOLETE	GRIGIO (GREY) 282766-2	NERO (BLACK) 282766-1		

CUSTOMER DWG. FOR REFERENCE ONLY
DISEGNO PER CLIENTE SOLO PER RIFERIMENTO

THIS DRAWING IS UNPUBLISHED		RELEASE FOR PUBLICATION		19
© COPYRIGHT 19 BY AMP INCORPORATED, HARRISBURG, PA. ALL INTERNATIONAL RIGHT RESERVED. AMP PRODUCTS MAY BE COVERED BY U.S. AND FOREIGN PATENT AND/OR PATENT PENDING				
TOLLERANZE: SE NON DIVERSAMENTE SPECIFICATO (TOLERANCES: UNLESS OTHERWISE SPECIFIED)		DIAM. ISOLANTE (INS. DIA. RANGE) 1.5-3.0 (RED. INS. CABLE)	RANGO FILO (WIRE RANGE) 0.5-2.5 mm ²	SCALA (SCALE) ---
± 0.3		ANGOLI (ANGLES) ± 2°		
E1	REVISED PER ECO-20-003218	AP	08MAY 2020	
E	ECR-14-003472	MP	24MAR 2014	
C	AGGIORNATO E IN PRODUZIONE ET00-0125-00	M.P.		DIS. 22 AUG 95 (DR.) A. BAJ
B	AGGIORNATO E IN PRODUZIONE EC ET00-0075-96	A.B.	12-2 1996	CONT. 22 AUG 95 (CHK) C. TARTARI
A	PRIMA EMISSIONE CON ECN ET00-0217-95	A.B.	15-9 1995	
REV. (REV. DATE)	REVISIONI (REVISION RECORD)	DIS. DATA (DR. DATE)	APP. (APP.)	
LOC. SIZE NUMERO (DWG NO)		REV. (REV.)	FOGLIO (SHEET)	
I A3		C-282766	E1	1 DI (OF) 2

DISTRIBUZIONE (PRINT DIST.)



- 1 QUOTE APPLICABILI PER SFORMATURA PEZZO (DRAFT PERMITTED TO FACILITATE REMOVAL OF PART FROM THE MOULD)
- 2 MATERIALE LINGUETTE: LEGA DI RAME STAGNATA, ES. OTTONE STAGNATO. (TAB CONTACT MATERIAL: TIN PLATED COPPER ALLOY. E.G. BRASS TIN PLATED)
- 3 MATERIALE BLOCCHETTO: TERMOPLASTICO CARICATO FIBRA VETRO. (HOUSING MATERIAL: THERMOPLASTIC, GLASS FIBER FILLED)

FORMA ALTERN. PERMESSA CON RAGGIO (ALLOWED ALTERNATIVE PROFILE WITH RADIUS)

VISTA DA "B"
(VIEW FROM "B")

FINITURA / COLORE (FINISH / COLOUR)		MATERIALE (MATERIAL)		NUMERO (PART NUMBER)	
CUSTOMER DWG. FOR REFERENCE ONLY		DISEGNO PER CLIENTE SOLO PER RIFERIMENTO		19	
THIS DRAWING IS UNPUBLISHED		RELEASE FOR PUBLICATION		19	
© COPYRIGHT 19 BY AMP INCORPORATED, HARRISBURG, PA. ALL INTERNATIONAL RIGHT RESERVED. AMP PRODUCTS MAY BE COVERED BY U.S. AND FOREIGN PATENT AND/OR PATENT PENDING					
TOLLERANZE: SE NON DIVERSAMENTE SPECIFICATO (TOLERANCES: UNLESS OTHERWISE SPECIFIED)		DIAM. ISOLANTE (INS. DIA. RANGE)		RANGO FILO (WIRE RANGE)	
± 0.3		SEE SHEET 1 OF 2		SEE SHEET 1 OF 2	
ANGOLI (ANGLES)		± 2°		SCALA (SCALE)	
DIS. (DR.)		DESCRIZIONE (DESCRIPTION)			
CONT. (CHK)		5 POS. SPLASH PROOF CONN. ASS'Y with SECONDARY LOCK			
APP. (APP.)		LOC. SIZE NUMERO (DWG NO)		REV. FOGLIO (SHEET)	
SEE SHEET 1 OF 2		I A3 C-282766		E1 2 OF 2	
REV. (REV.)		REVISIONI (REVISION RECORD)		DIS. DATA (DR) (DATE)	

DISTRIBUZIONE (PRINT DIST.)

单击下面可查看定价，库存，交付和生命周期等信息

[>>TE Connectivity\(泰科\)](#)