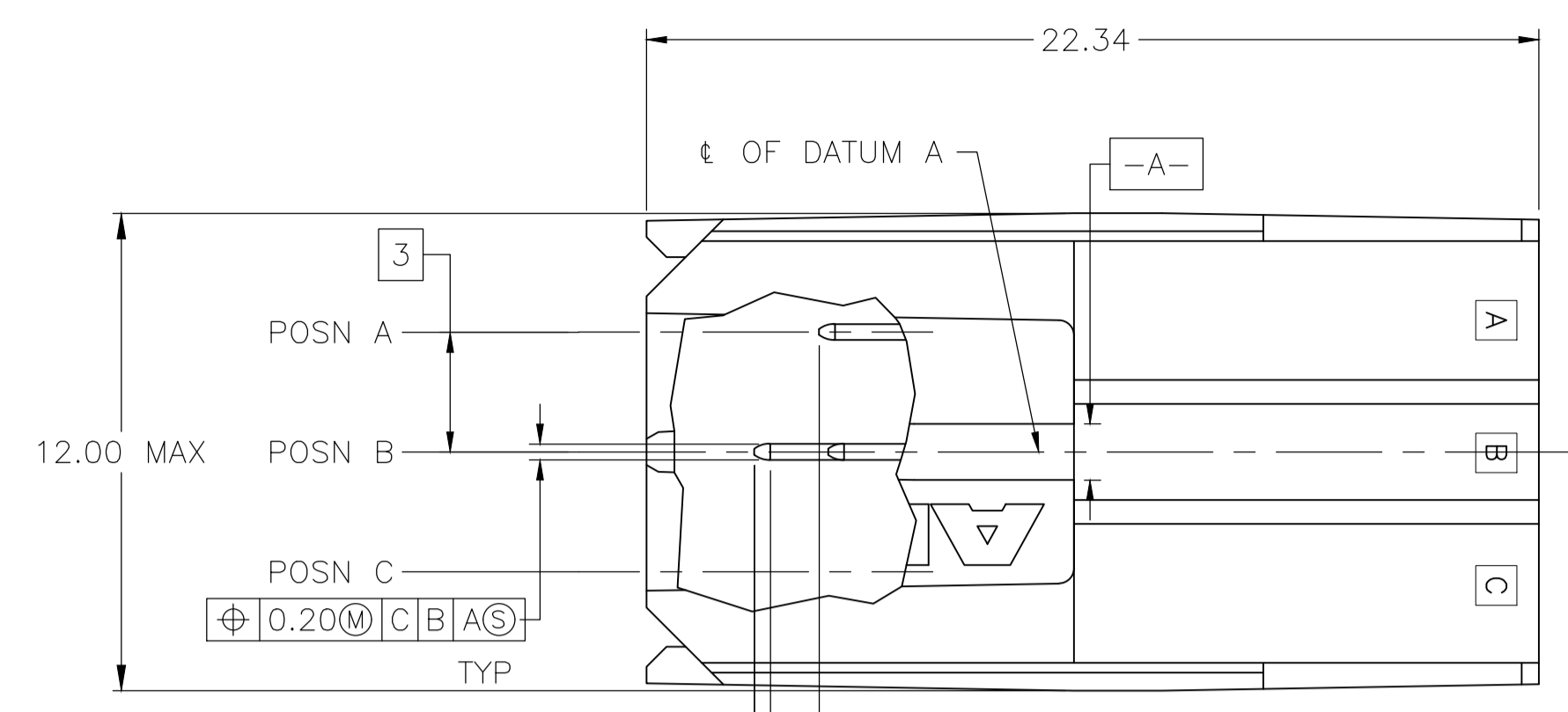
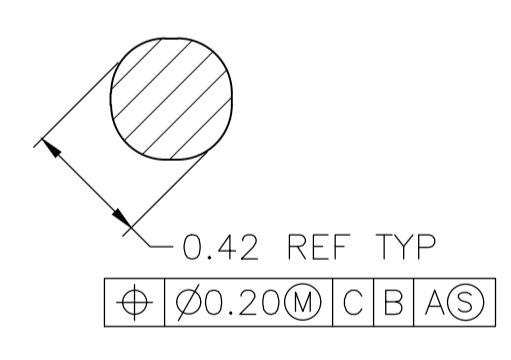
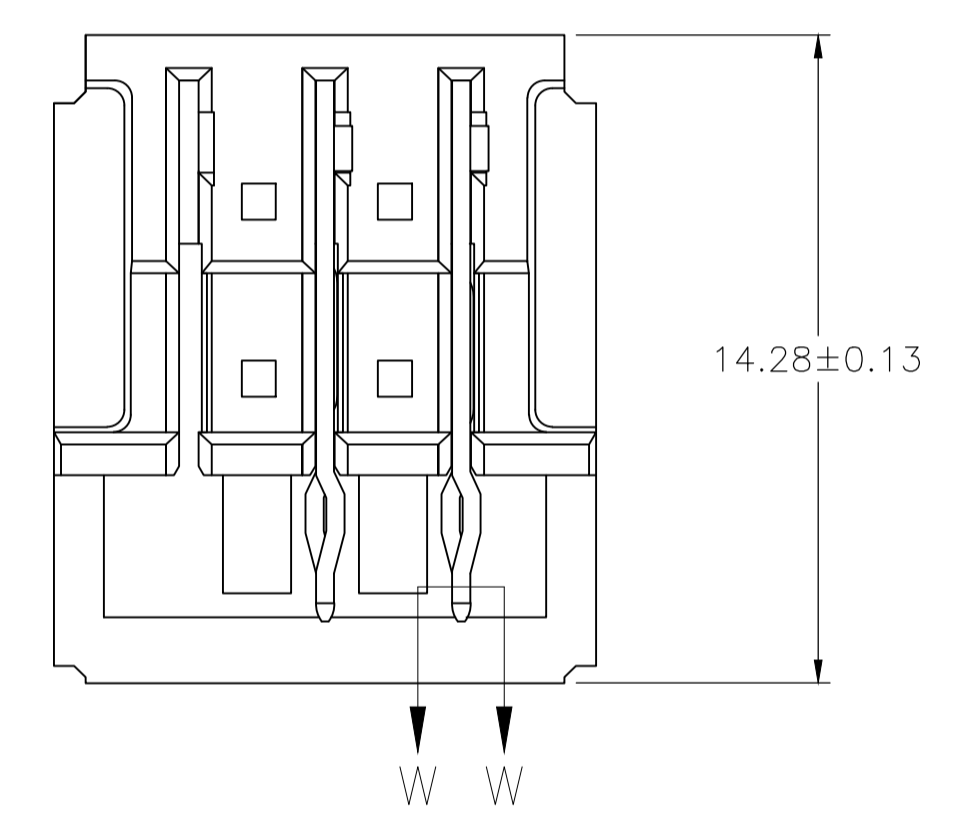
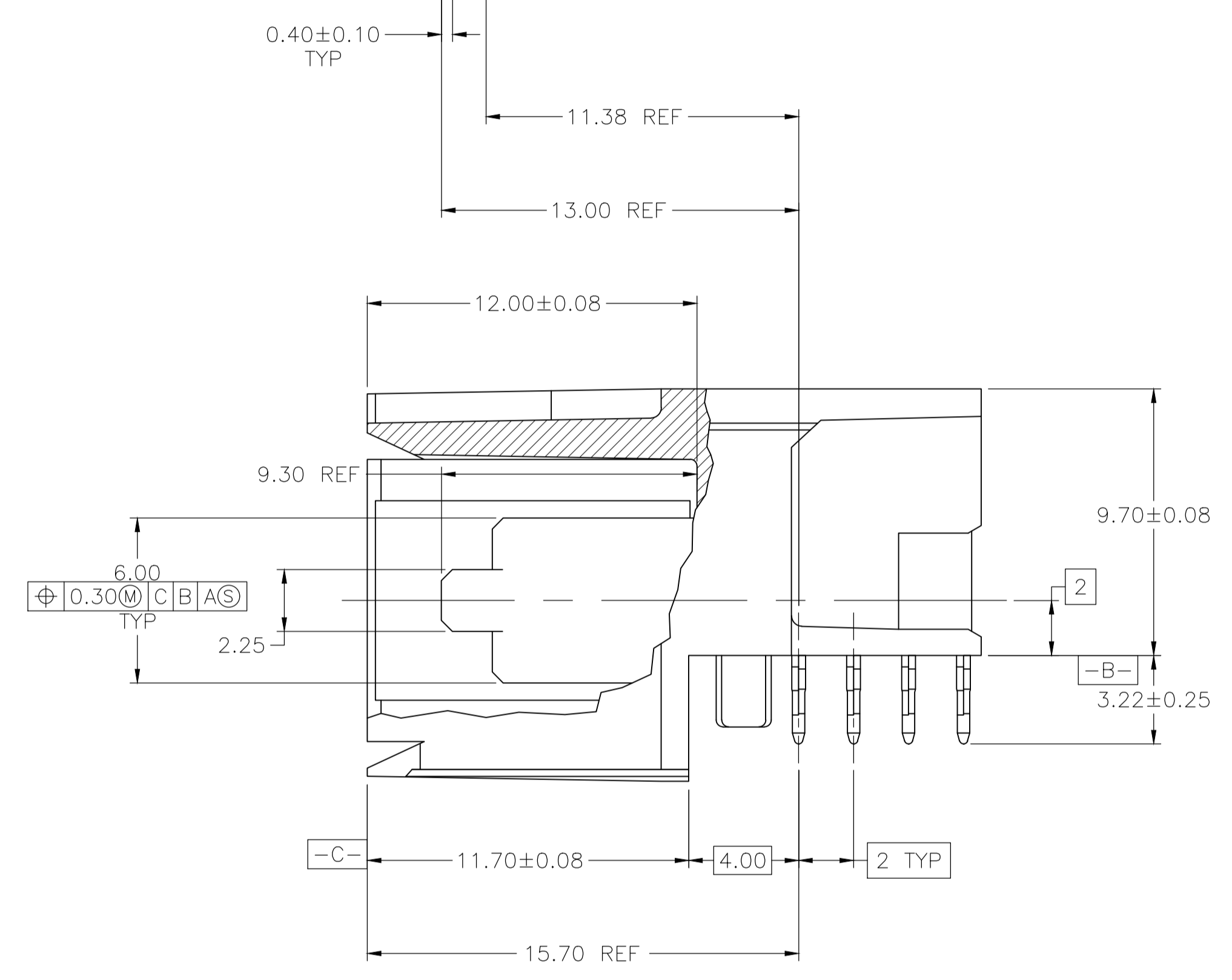
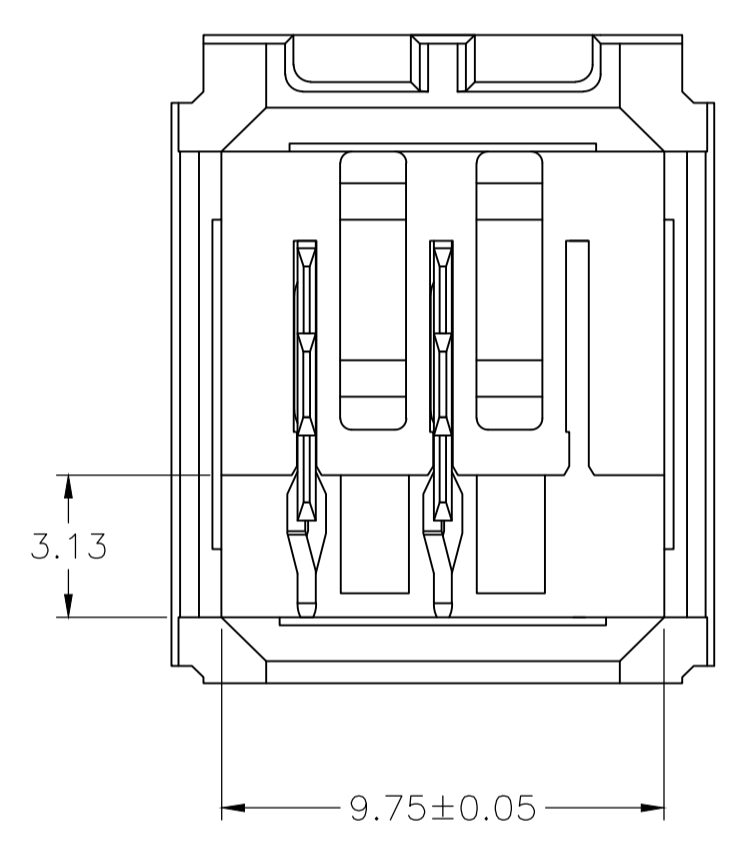


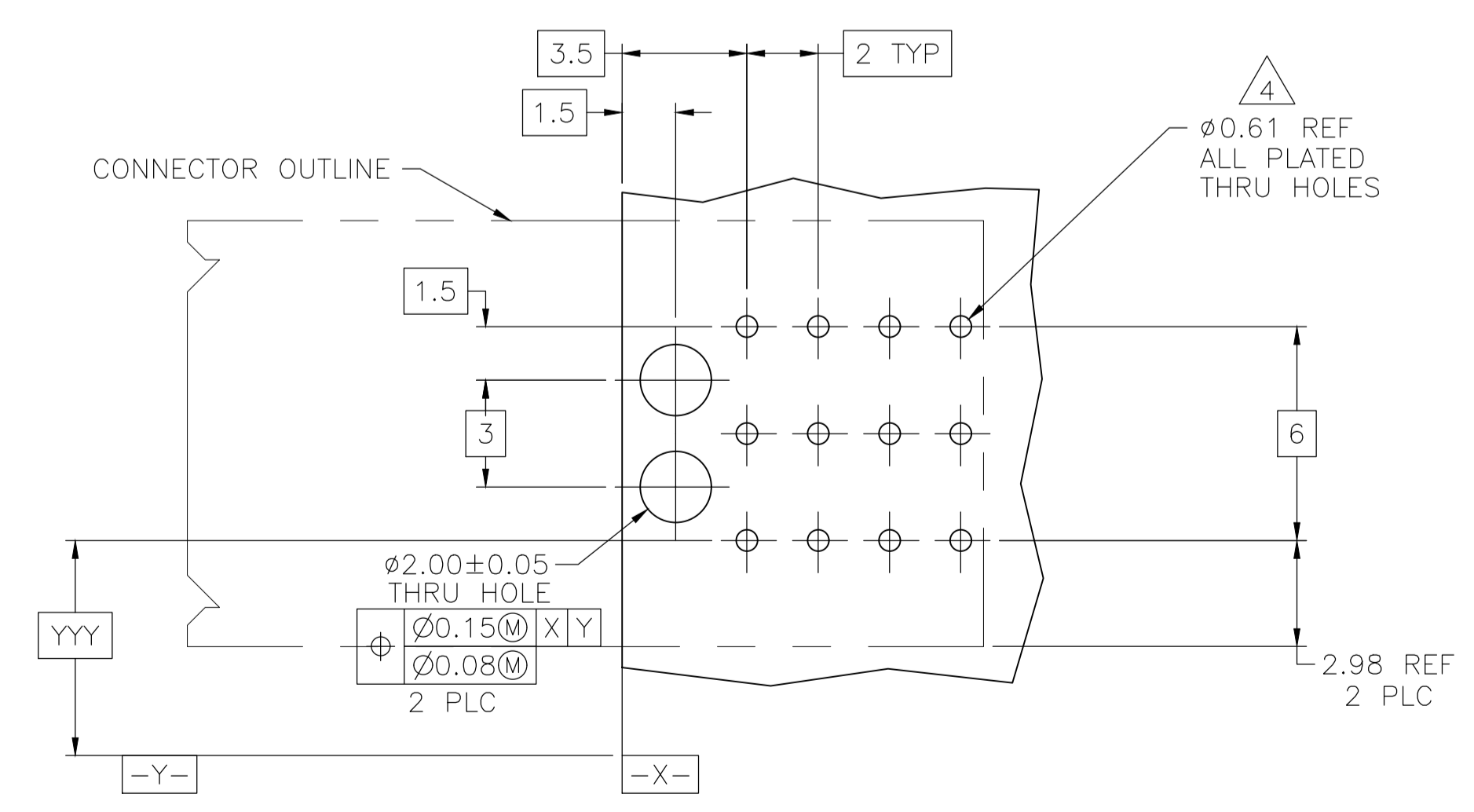
REVISIONS				
P	LTR	DESCRIPTION	DATE	APPD
C1	REV PER ECO-20-004668		08JUN2020	ML SZ



- 1 MATERIAL: HOUSING: POLYESTER. COLOR: GRAY. UL 94V-0. CONTACT: PHOSPHOR BRONZE.
- 2 FINISH: IN ACCORDANCE WITH PRODUCT SPECIFICATION 108-1651, GOLD PLATING OR EQUIVALENT PLATING ON PRODUCT CONTACT MATING AREA, AND MATTE TIN PLATING ON COMPLIANT PIN AREA, ALL OVER MATTE NICKEL UNDERPLATED. DETAIL PLEASE REFER TO PRODUCT SPECIFICATION 108-1651.
- 3 FINISH: CONTACT LUBRICATION WITH BELLCORE APPROVED LUBRICANT. TECHNICAL REFERENCE: TR-NWT-001217, ISSUE 1, NOVEMBER 1992.
- 4 REFERENCE APPLICATION SPEC 114-1103 FOR RECOMMENDED PLATED THRU HOLE DIAMETER AND PLATING THICKNESS.
- 5. CURRENT RATING 10A/CONTACT PER PRODUCT SPEC 108-1651.



SECTION W-W
SCALE 40:1



RECOMMENDED PCB HOLE LAYOUT

B	A	2	120974-1
POSITIONS LOADED WITH 9.30 REF CONTACTS	POSITIONS LOADED WITH 7.68 REF CONTACTS	NO OF LOADED POSITIONS	PART NUMBER

THIS DRAWING IS A CONTROLLED DOCUMENT.		DIN: B CARBO 14DEC04	TE Connectivity	
DIMENSIONS: mm		CHK: R PATTERSON 14DEC04	NAME: RIGHT ANGLE HEADER ASSY W/ RETENTION PEGS UNIVERSAL POWER MODULE	
TOLERANCES UNLESS OTHERWISE SPECIFIED:		APPD: R PATTERSON 14DEC04	PRODUCT SPEC: 108-1651	
0 PLC ± -		APPLICATION SPEC: 114-1103		
1 PLC ± -		SIZE: A1		
2 PLC ± 0.13		CAGE CODE: 00779		
3 PLC ± -		DRAWING NO: 120974		
4 PLC ± -		RESTRICTED TO: -		
ANGLES ± -		WEIGHT: 0.000000		
MATERIAL: 1		CUSTOMER DRAWING		
FINISH: 2 3		SCALE: 6:1		
		SHEET: 1 OF 1		
		REV: C1		

单击下面可查看定价，库存，交付和生命周期等信息

[>>TE Connectivity\(泰科\)](#)