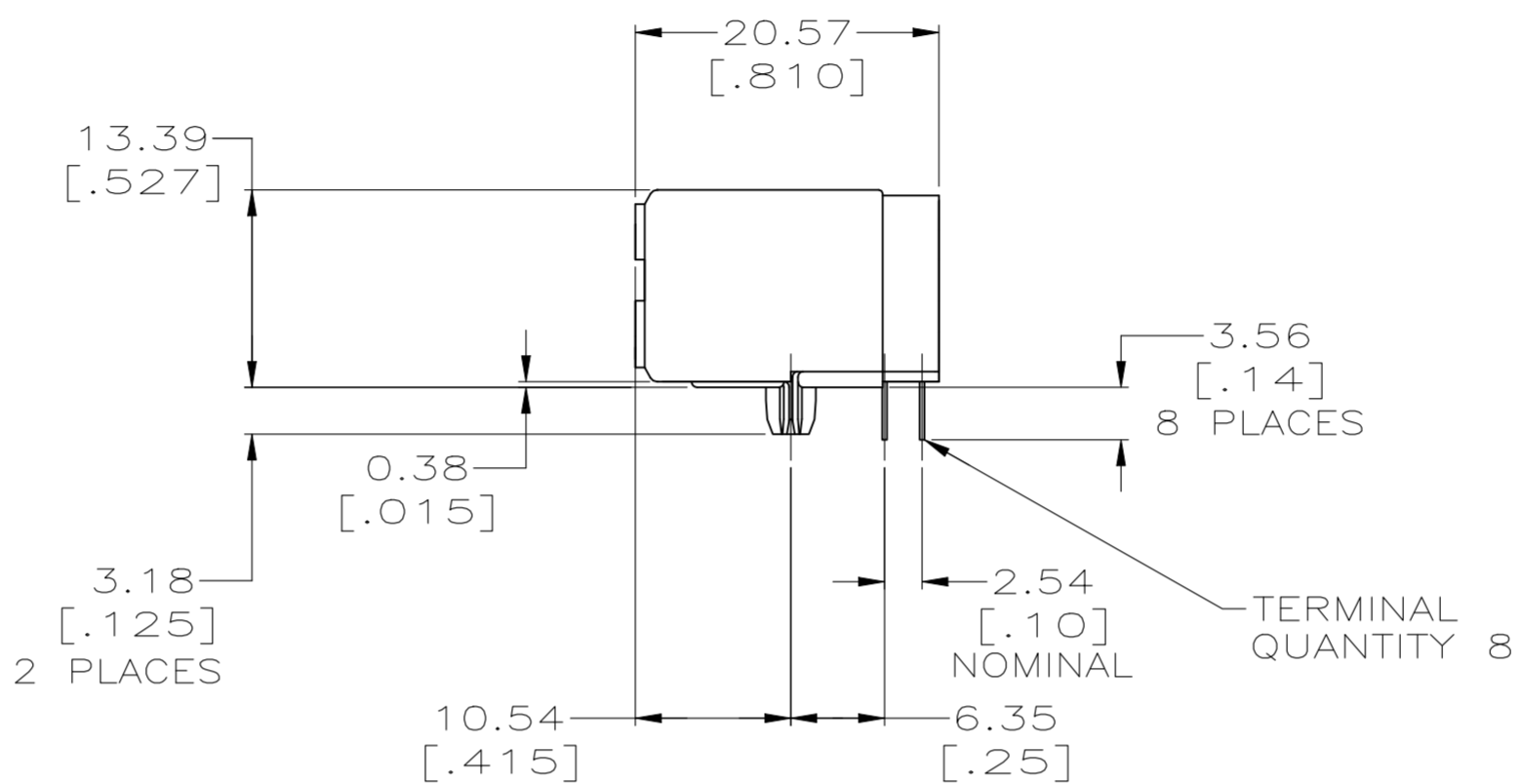
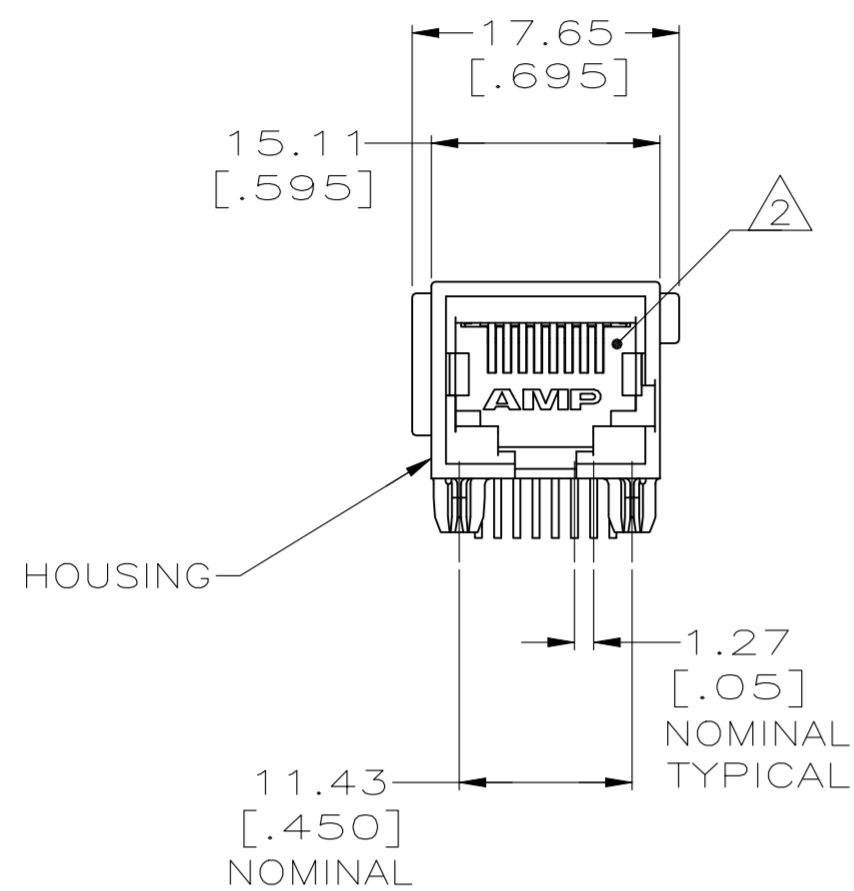
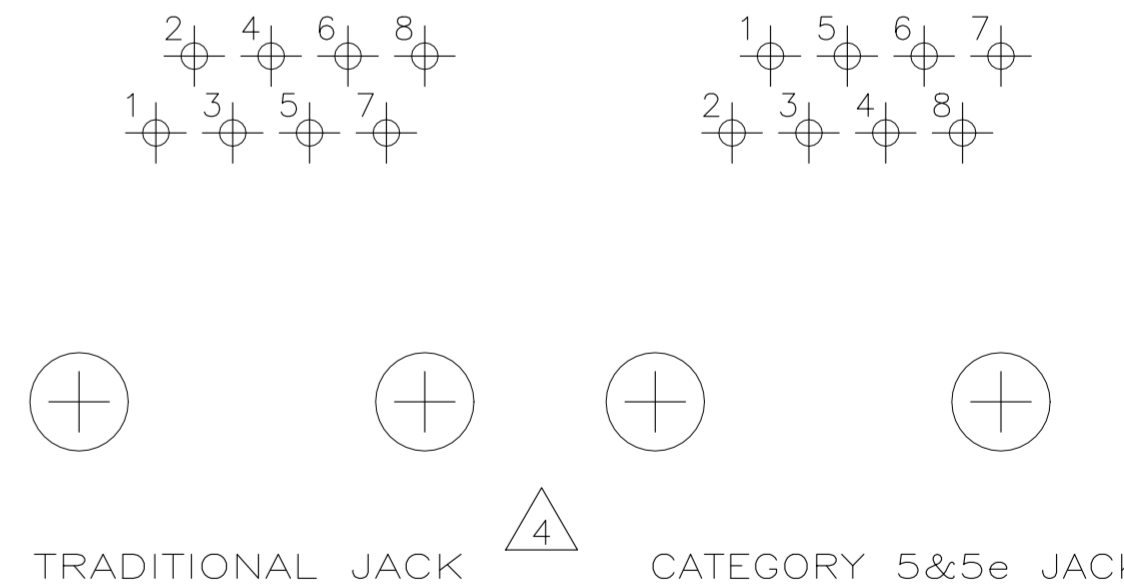
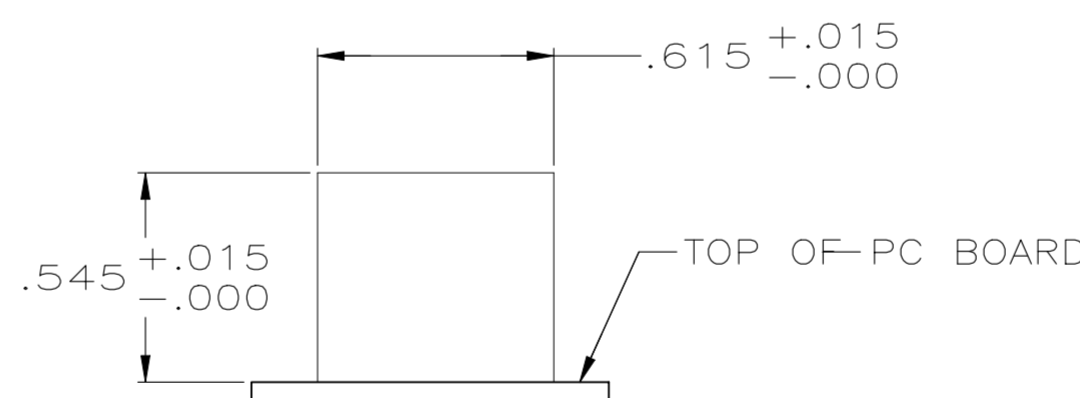
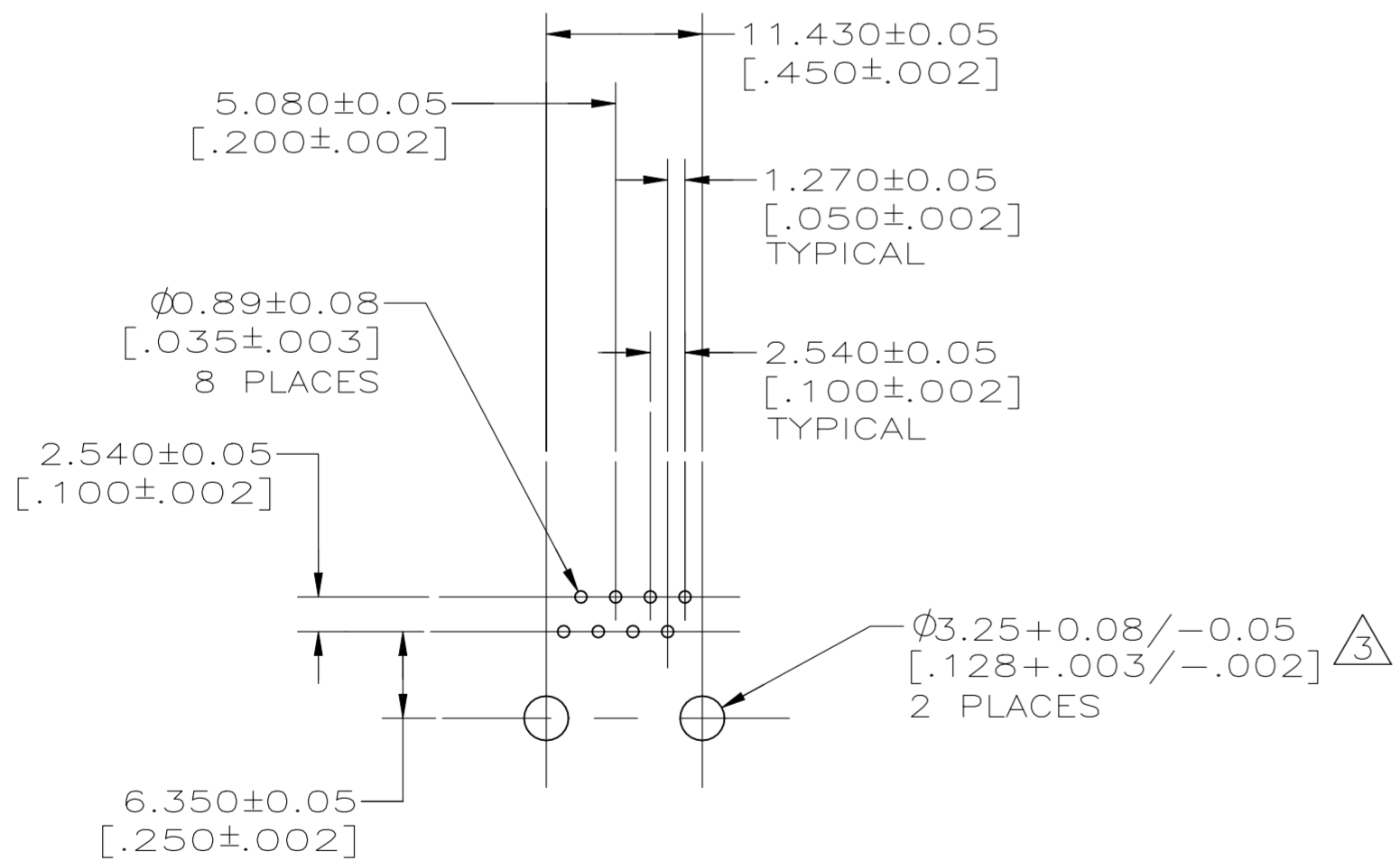


REVISIONS					
P	LTR	DESCRIPTION	DATE	DWN	APVD
A4		ECR-19-014657	13SEP2020	RR	SZ



- ⚠ MATERIAL: HOUSING - NYLON, BLACK, UL 94V-0. TERMINALS - 0.33[.013] THICK PHOS BRONZE PLATED WITH 1.27 μ m[.000050] MINIMUM THICK HARD GOLD IN LOCALIZED AREA AND 3.81 μ m[.000150] MINIMUM THICK MATTE TIN IN SOLDER AREA OVER 1.27 μ m[.000050] MINIMUM THICK NICKEL UNDERPLATE.
- ⚠ JACK CAVITY CONFORMS TO FCC RULES AND REGULATIONS, PART 68 SUBPART F.
- ⚠ USE #30 DRILL BIT OR 3.25mm DRILL BIT WHEN PRODUCING THESE PCB HOLES.
- ⚠ CAUTION: CATEGORY 5 JACK SOLDER TAIL POSITIONS DO NOT FOLLOW SAME NUMBER SEQUENCE AS THAT OF TRADITIONAL JACKS.



SUGGESTED PC BOARD LAYOUT COMPONENT SIDE

SUGGESTED PANEL CUTOUT

TRADITIONAL JACK CATEGORY 5&5e JACK

5569107-1 PART NUMBER

THIS DRAWING IS A CONTROLLED DOCUMENT.		DWN 10JUN2005 A. FERNANDEZ-DOCK5	TE Connectivity	
DIMENSIONS: mm [INCHES]		CHK 10JUN2005 J. WESTMAN		
TOLERANCES UNLESS OTHERWISE SPECIFIED:		APVD 10JUN2005 S. FLICKINGER	NAME MODULAR JACK ASSEMBLY, 8 POSITION, RIGHT ANGLE, LOW PROFILE, KEYED, CATEGORY 5e	
0 PLC ± -	1 PLC ± -	PRODUCT SPEC 108-1163	SIZE A2	CAGE CODE -
2 PLC ± 0.25[.01]	3 PLC ± 0.13[.005]	APPLICATION SPEC 114-2048	DRAWING NO C=5569107	RESTRICTED TO -
4 PLC ± -	ANGLES ± -	WEIGHT 0.000000	SCALE 1:1	SHEET 1 OF 1
MATERIAL ⚠	FINISH ⚠	CUSTOMER DRAWING	REV A4	

单击下面可查看定价，库存，交付和生命周期等信息

[>>TE Connectivity\(泰科\)](#)