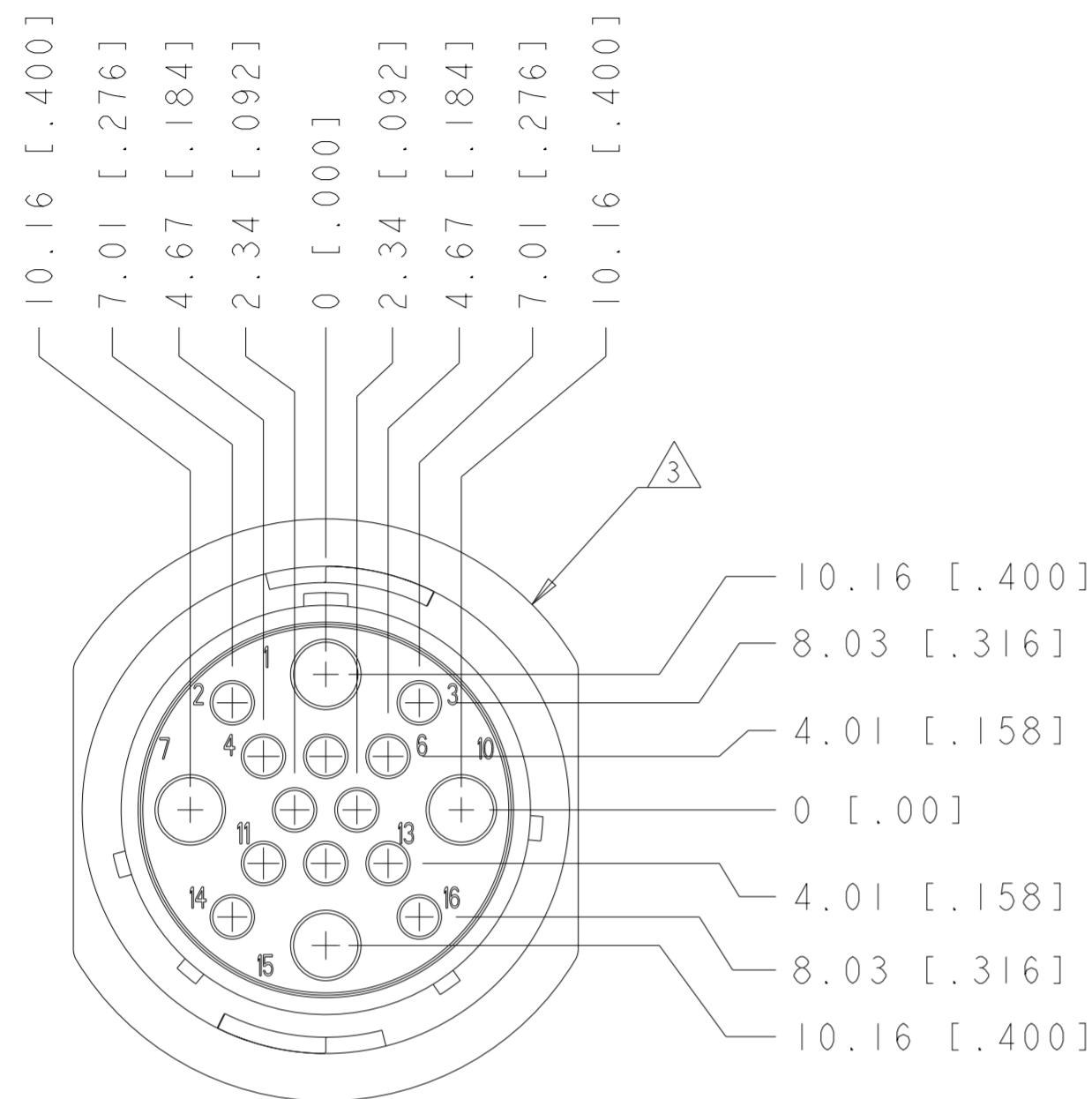
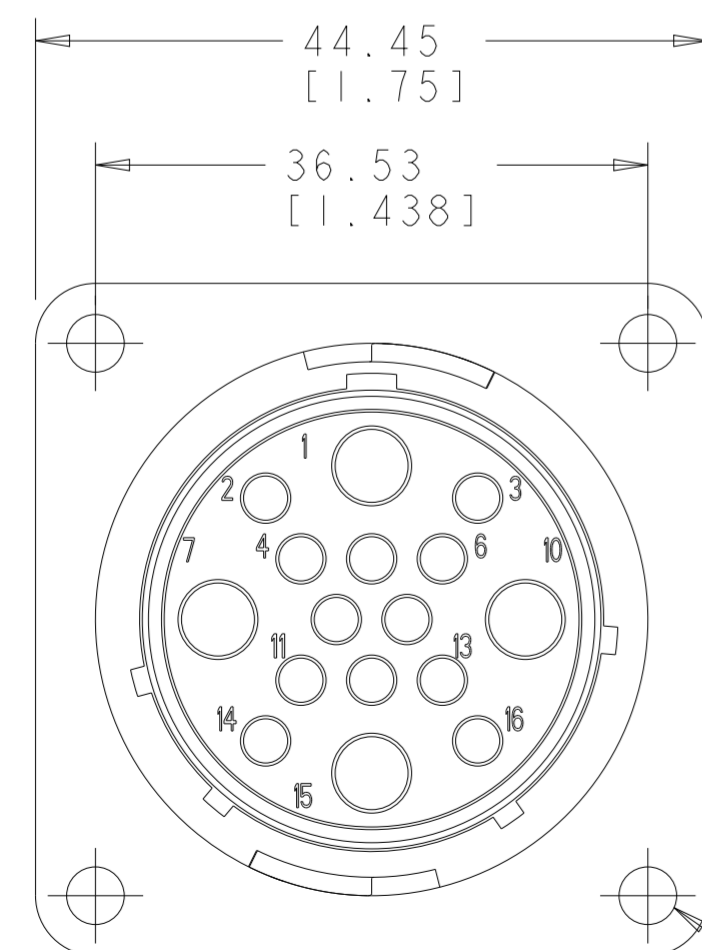


REVISIONS				
P	LTR	DESCRIPTION	DATE	APVD
J		REVISED PER ECO-21-006943	13OCT2021	RK MZ

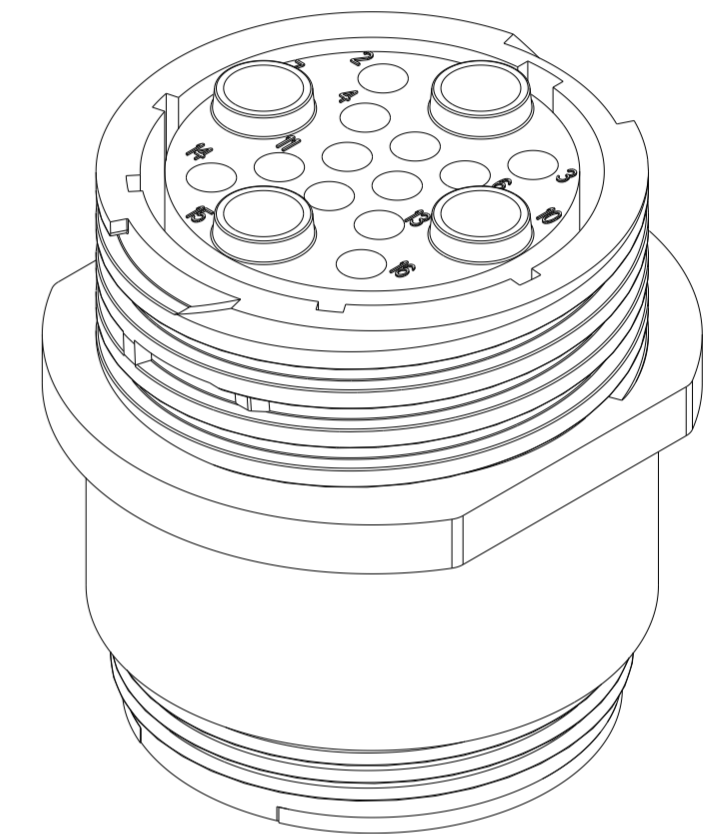
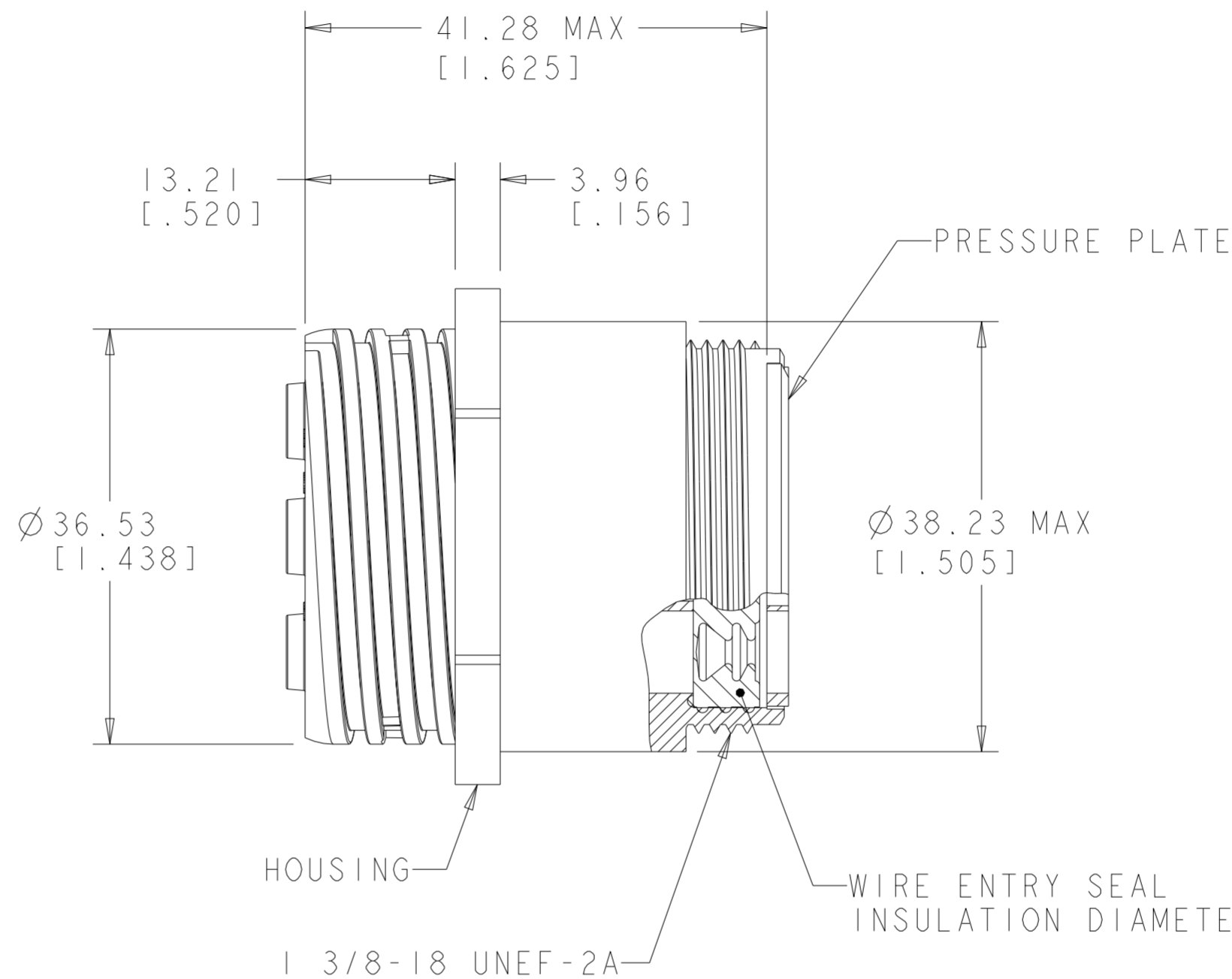


FREE-HANGING VERSION



SQUARE FLANGE VERSION

THREADED INSERT  
QTY: 4, SEE TABLE



- ① HOUSING & PRESSURE PLATE: NYLON, BLACK.  
WIRE ENTRY SEAL: ELASTOMER, RED-IRON OXIDE.  
PERIPHERAL SEAL: ELASTOMER, BLACK.
- 2. CONNECTOR WILL ACCEPT (12) MULTIMATE SOCKET AND (4) POWER SOCKET CONTACTS.
- ③ TE LOGO LOCATED ON ANY FLANGE EDGE

OBSOLETE	.095-.205	NO	SQUARE FLANGE	796330-3
OBSOLETE	.150-.260	YES	SQUARE FLANGE	796330-2
	.095-.205	NO	FREE-HANGING	796330-1
	INSULATION DIAMETER	THREADED INSERT	HOUSING VERSION	PART NUMBER

THIS DRAWING IS A CONTROLLED DOCUMENT.		DWN S. WELDON 13DEC1999	TE Connectivity	
DIMENSIONS: mm [INCHES]		CHK J. ENGLE 13DEC1999		
TOLERANCES UNLESS OTHERWISE SPECIFIED:		APVD J. ENGLE 13DEC1999	NAME RECEPTACLE ASSY, SERIES 6, REVERSE SEX, SIZE 23-16 CIRCULAR PLASTIC CONNECTOR	
0 PLC ±		PRODUCT SPEC 108-1579	SIZE CAGE CODE DRAWING NO RESTRICTED TO	
1 PLC ±		APPLICATION SPEC	A200779 C-796330	
2 PLC ±0.02		WEIGHT	SCALE 2:1 SHEET OF REV J	
3 PLC ±		CUSTOMER DRAWING		
4 PLC ±				
ANGLES ±				
FINISH				

单击下面可查看定价，库存，交付和生命周期等信息

[>>TE Connectivity\(泰科\)](#)