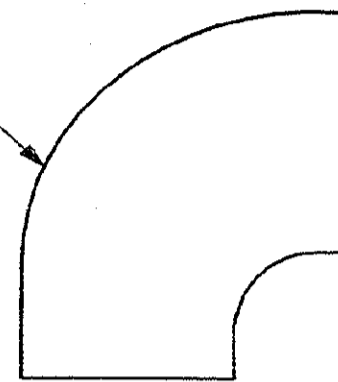


DRAWING MADE IN THIRD ANGLE PROJECTION

THIS DRAWING IS UNPUBLISHED. RELEASED FOR PUBLICATION .19
 © COPYRIGHT 19 BY AMP INCORPORATED. ALL INTERNATIONAL RIGHTS RESERVED.

PROJ	LOC	DIST	REVISIONS	DATE	APPD
4081	DF	51	Q RLSE/NPR 88-474	OCT 11-88	CJS

BOOT, SHRINKABLE, 90°
 MAT'L: POLYOLEFIN



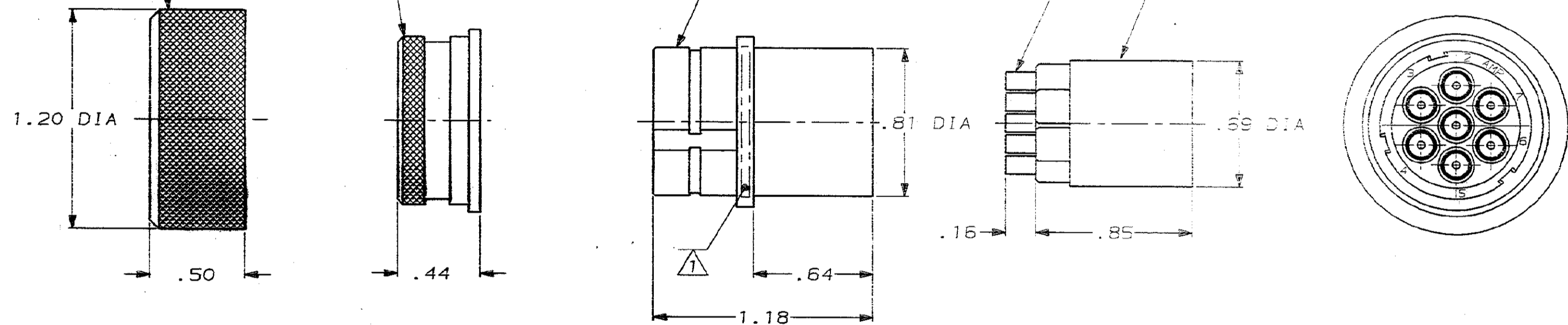
CAP
 MAT'L: BRASS
 FINISH: NICKEL
 OVER COPPER FLASH

FERRULE
 MAT'L: BRASS
 FINISH: NICKEL
 OVER COPPER FLASH

HOUSING
 MAT'L: POLYESTER

SOCKET END

SLUG
 MAT'L: SILICONE RUBBER



AMP PART NO., CUSTOMER PART NO. AND SPECIAL DATE CODE INK STAMPED PER MIL-STD-130.

DO NOT SCALE PRINT. UNLESS SPECIFIED DIMENSIONS IN INCHES. TOLERANCES ON: 2 PLC DEC ± .03, 3 PLC DEC ± .015, ANGLES ± -		DR 11-17-88 C.C. THOMAS	CI-2A-074-003V-00	445729-1
MATERIAL: SEE CALLOUTS		CHK: <i>G. Schutte</i> 1-26-89 APPD: <i>M. Harden</i> 1-26-89	CUSTOMER PART NO.	PART NO.
FINISH: -		AMP INCORPORATED Harrisburg, Pa. 17105	NAME: PLUG KIT, 7 PIN MINIATURE, LGH	
APPLICATION SPEC: -		SIZE: C	FSCM NO: 00779	DRAWING NO: 445729
WEIGHT: -		SCALE: 2:1	SHEET: 1 OF 1	

RESTRICTED CUSTOMER DRAWING

单击下面可查看定价，库存，交付和生命周期等信息

[>>TE Connectivity\(泰科\)](#)