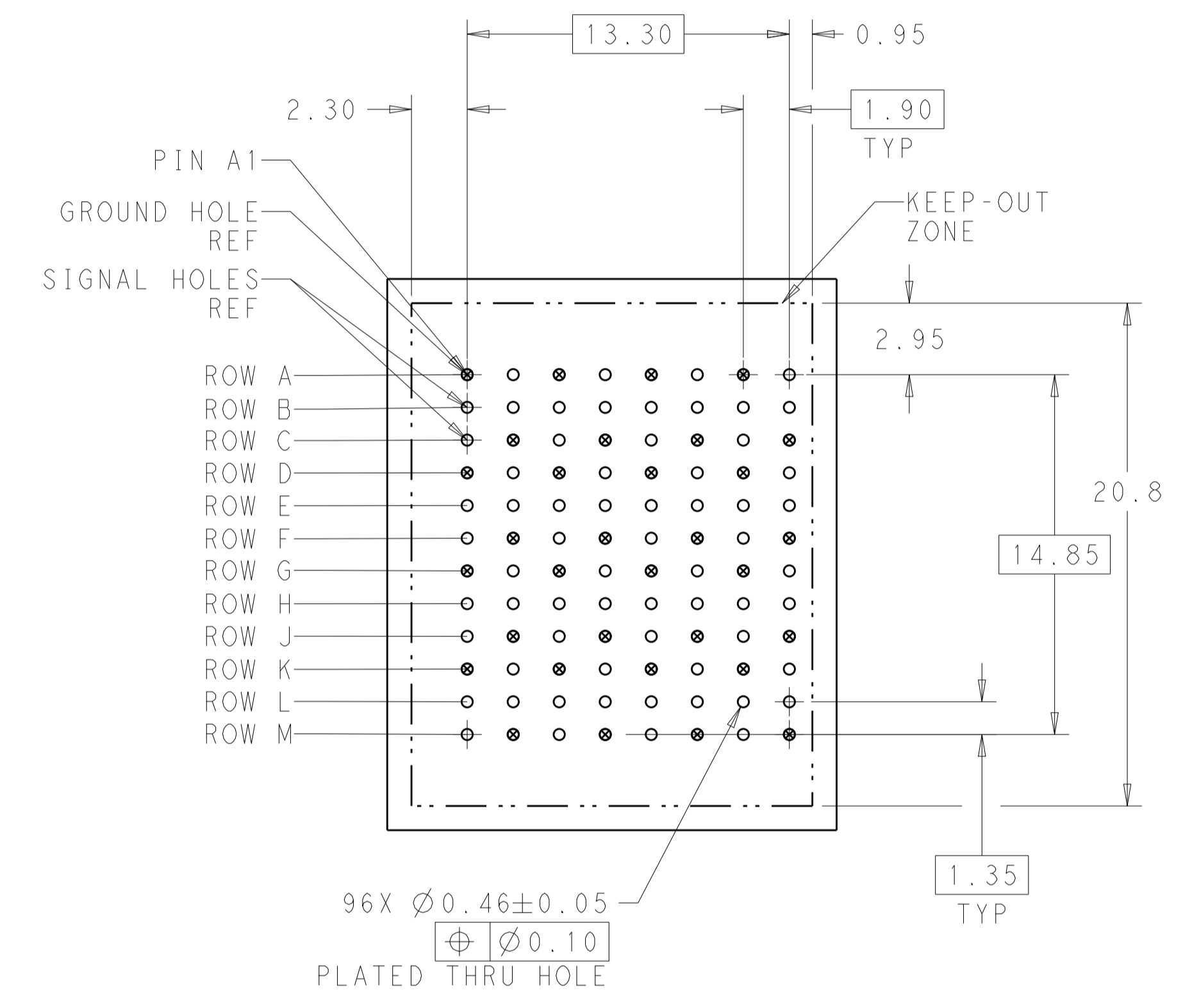
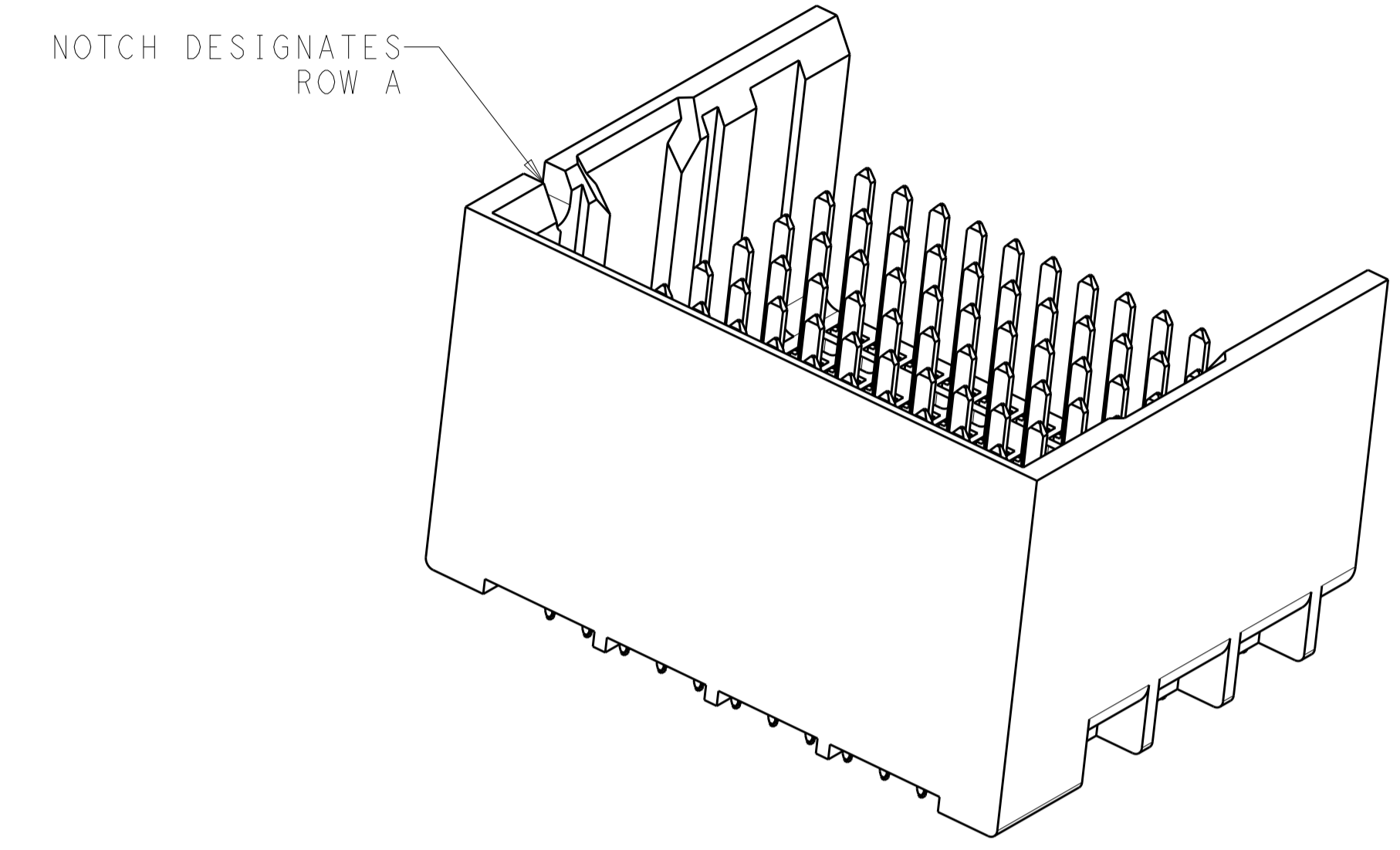
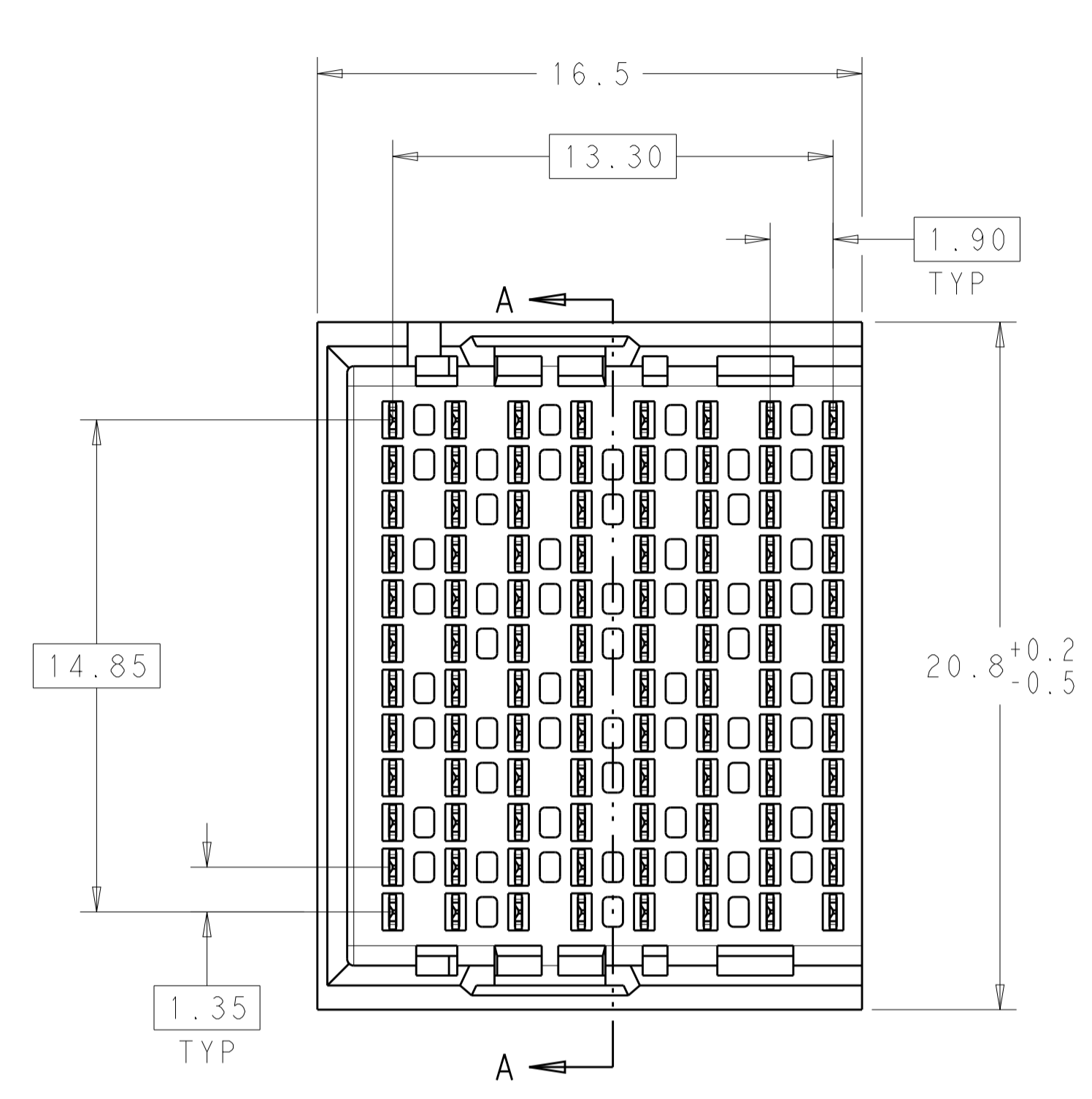


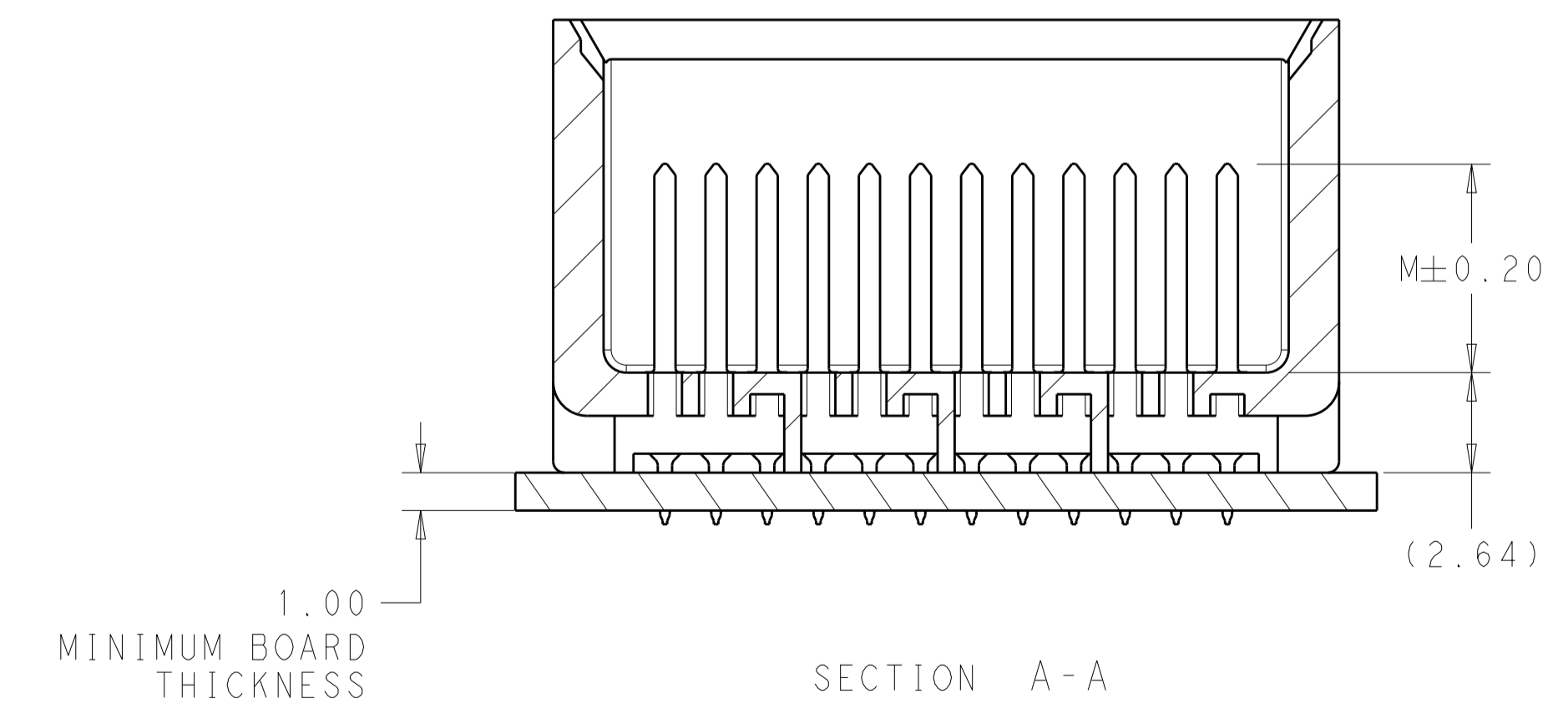
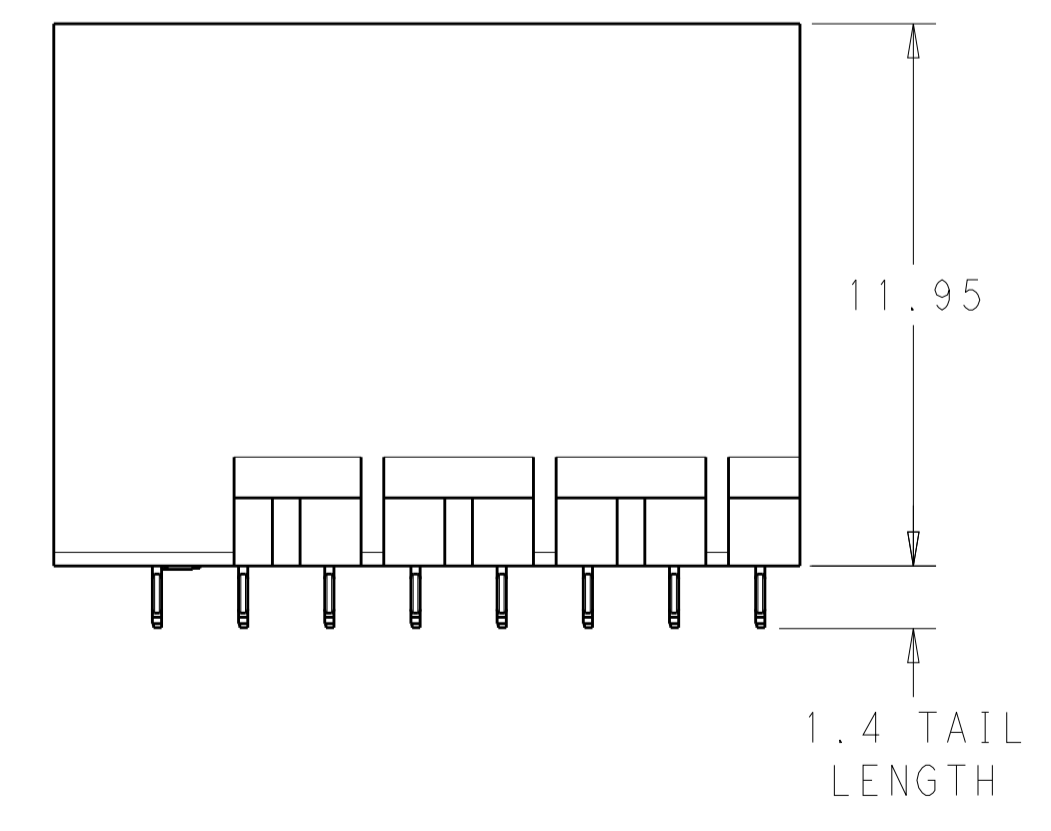
REVISIONS					
P.	LTN	DESCRIPTION	DATE	DMN	APVD
A1		REVISED PER ECO-15-001494	05FEB2015	AP	DD

⚠ MATERIAL:
 HOUSING: LCP, GLASS FILLED, UL94V-0.
 TERMINALS: HIGH PERFORMANCE COPPER ALLOY.

⚠ FINISH:
 30μ" MIN GOLD IN CONTACT AREA. SELECTIVE TIN
 ON PCB TAILS, NICKEL OVERALL.



UNGUIDED
 BACKPLANE HOLE PATTERN
 (CONNECTOR SIDE)



THIS DRAWING IS A CONTROLLED DOCUMENT.		DMN: R. GRZYBOWSKI 30SEP2011	TE Connectivity
DIMENSIONS: mm		CHK: J. EARY 30SEP2011	
TOLERANCES UNLESS OTHERWISE SPECIFIED:		APVD: J. EARY 30SEP2011	NAME: IMPACT, 4 PAIR, 8 COLUMN, HEADER
0 PLC	±	PRODUCT SPEC	UNGUIDED, LEFT END WALL
1 PLC	±0.25	APPLICATION SPEC	SIGNAL MODULE, 0.46 PTH
2 PLC	±0.13	SIZE	A100779C=2057443
3 PLC	±	WEIGHT	SCALE 6:1 SHEET 1 OF 2 REV A1
4 PLC	±	CUSTOMER DRAWING	
ANGLES	±		
MATERIAL	SEE TABLE		

THIS DRAWING IS UNPUBLISHED. RELEASED FOR PUBLICATION 20
 © COPYRIGHT 20 BY - ALL RIGHTS RESERVED.

REVISIONS					
P.	LTN	DESCRIPTION	DATE	DMN	APVD
-		SEE SHEET 1	-	-	-

	5.5	2057443-3
	4.9	2057443-2
	4.5	2057443-1
FINISH	DIM M	PART NUMBER

REFER TO WWW.TE.COM
FOR PRODUCT AVAILABILITY

THIS DRAWING IS A CONTROLLED DOCUMENT.		DMN R. GRZYBOWSKI 30SEP2011		TE Connectivity
DIMENSIONS: mm		CHK J. EARY 30SEP2011		NAME
TOLERANCES UNLESS OTHERWISE SPECIFIED: 0 PLC ± 1 PLC ±0.25 2 PLC ±0.13 3 PLC ± 4 PLC ± ANGLES ±		APVD J. EARY 30SEP2011	PRODUCT SPEC	
			APPLICATION SPEC	
MATERIAL	SEE TABLE	WEIGHT	SIZE	CAGE CODE
-	-	-	A1	00779
CUSTOMER DRAWING		SCALE	DRAWING NO	RESTRICTED TO
		5:1	2057443	-
		SHEET	REV	
		2	A1	
		OF		
		2		

单击下面可查看定价，库存，交付和生命周期等信息

[>>TE Connectivity\(泰科\)](#)