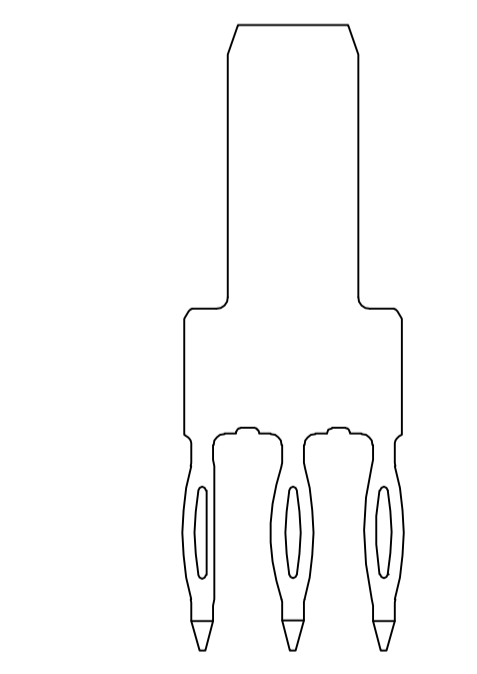
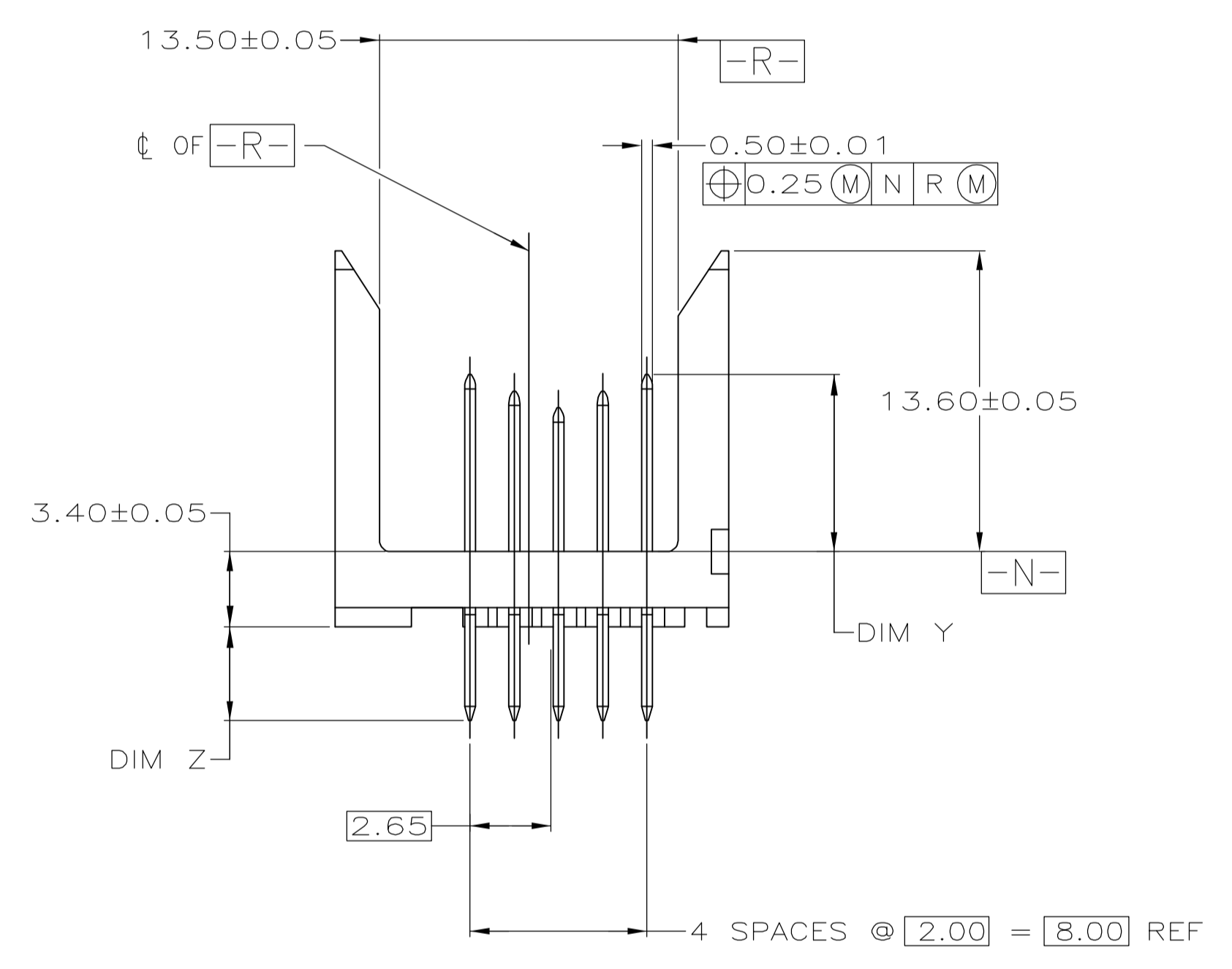
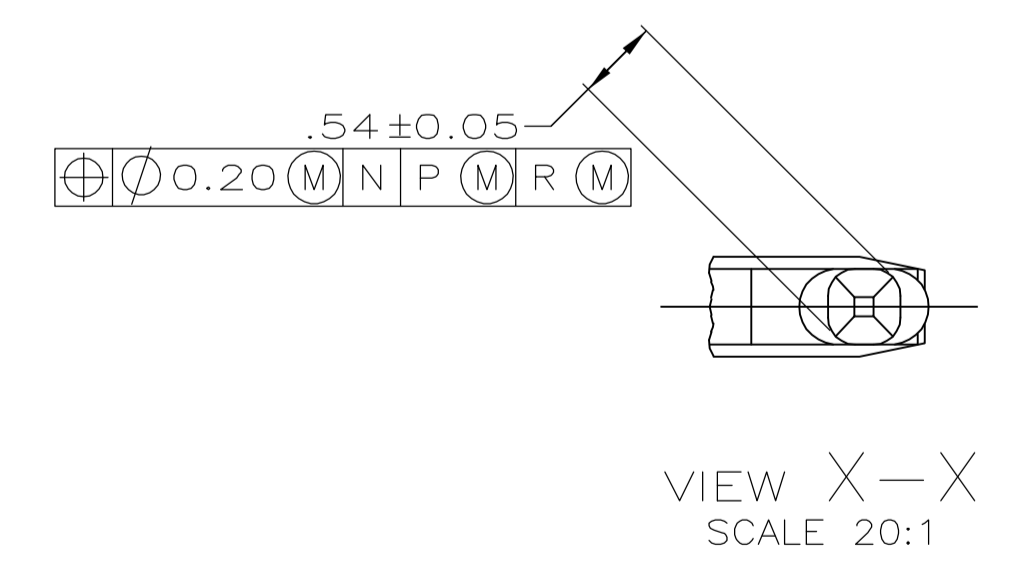


RECOMMENDED CIRCUIT PATTERN
 PER IPC-D300 TYPE II, CLASS C
 (COMPONENT SIDE)

- △ HOUSING MATERIAL: LIQUID CRYSTAL POLYMER.
COLOR: NATURAL.
- △ CONTACT MATERIAL: PHOSPHOR BRONZE.
- △ CONTACT FINISH:
UNDERPLATE (ENTIRE CONTACT):
0.00127 MIN NICKEL PER SAE-AMS-QQ-N-290
ON MATING SURFACES:
FLASH GOLD PER ASTM B 488, OVER
0.00076 MIN PALLADIUM-NICKEL OVER UNDERPLATE, OR
0.00076 MIN GOLD PER ASTM B 488 OVER UNDERPLATE.
ON LEADS:
0.00127 MIN MATTE TIN PER ASTM B 545 OVER UNDERPLATE.
LUBRICATION (MIN MATING SURFACES):
SURFACE CONDITIONER AFTER PLATING.
- △ PART MARKING, LOCATED APPROXIMATELY AS SHOWN.
APPROXIMATELY AS SHOWN.



SECTION A-A
 SCALE 6:1



△ 3	5536673-1
FINISH	PART NUMBER

THIS DRAWING IS A CONTROLLED DOCUMENT.		DW	T. SHUEY	4-21-98	 Tyco Electronics Corporation Harrisburg, PA 17105-3608				
DIMENSIONS: mm		CHK	D. KOVALICK	4-23-98					
TOLERANCES UNLESS OTHERWISE SPECIFIED:		APV	D. KOVALICK	4-23-98	NAME PIN ASSY, POWER, VERTICAL, Z-PACK 2mm FB, PRESS FIT LEADS, SEQUENCED BY ROW				
0 PLC ± - 1 PLC ± - 2 PLC ± 0.13 3 PLC ± - 4 PLC ± - ANGLES ± -		PRODUCT SPEC							
MATERIAL		APPLICATION SPEC			SIZE	CAGE CODE	DRAWING NO	RESTRICTED TO	
FINISH		WEIGHT			A1	00779	5536673		
CUSTOMER DRAWING		SCALE	4:1	SHEET	1	OF	1	REV	A

单击下面可查看定价，库存，交付和生命周期等信息

[>>TE Connectivity\(泰科\)](#)