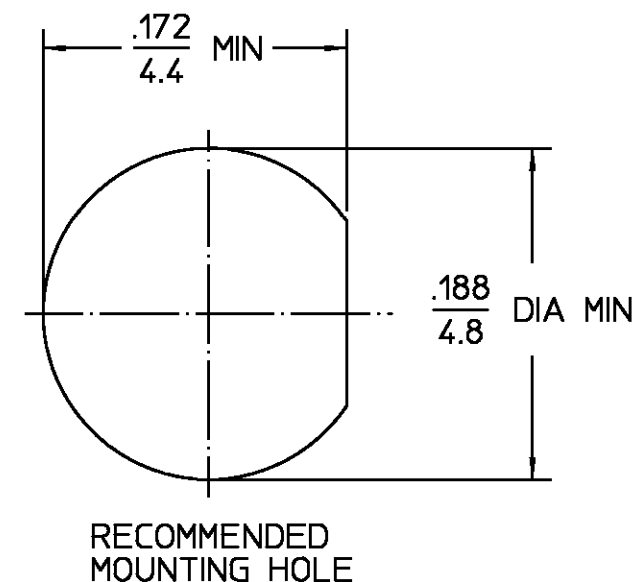


OSSM JACK

.190-36, UNS-2A TYP

.250 HEX
6.4

REVISIONS			
REV	DESCRIPTION	DATE	APPROVED
01 ₁	REDRAWN ON CAD ECN 94-0474 <i>PRB</i>	1/17/95	<i>PRB</i> 1/17/95



NOTES:
1. CAPTURED CENTER CONTACT

.XXX = in
XX.X = mm

HOUSING MOUNTING NUT LOCKWASHER	STAINLESS STEEL PER ASTM-A484 AND ASTM- A582, TYPE 303	GOLD PLATE PER MIL-G-45204
DIELECTRIC	TFE FLUOROCARBON PER ASTM-D-1457	N/A
CENTER CONTACT	BERYLLIUM COPPER PER ASTM-B-196 OR ASTM-B-197, ALLOY C17300, CONDITION H	GOLD PLATE PER MIL-G-45204
COMPONENT	MATERIAL	FINISH
UNLESS OTHERWISE SPECIFIED DIMENSIONS ARE IN INCHES	DRAWN BY EJC 7/24/68 CHECKED BY PRB 7/24/68 APPD BY EJD 8/12/68	AMP Incorporated 140 Fourth Avenue Waltham, MA 02451-7599
FRAC. DEC. ANGLES ± 1/64 ±.005 ± 1°	USE ASSY PROCEDURE NO. A.P. N/A	TITLE OSSM BULKHEAD FEEDTHRU JACK RECEPTACLE-SOLDER TERMINAL
These drawings and specifications are the property of M/A COM Interconnect Div. and shall not be reproduced or copied or used in whole or in part as the basis for the manufacture or sale of item(s) without written permission.	SIZE B CODE IDENT NO. 26805 SCALE 10/1	1058-0000-00 REV 01 ₁ SHEET 1 OF 1

COPY IN PUERTO RICO

CUSTOMER DRAWING

AMP PART # 1045636-1
SHEET 1 OF 1 REV A

单击下面可查看定价，库存，交付和生命周期等信息

[>>TE Connectivity\(泰科\)](#)