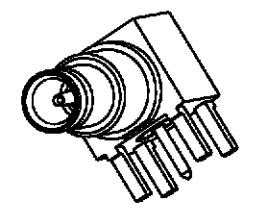
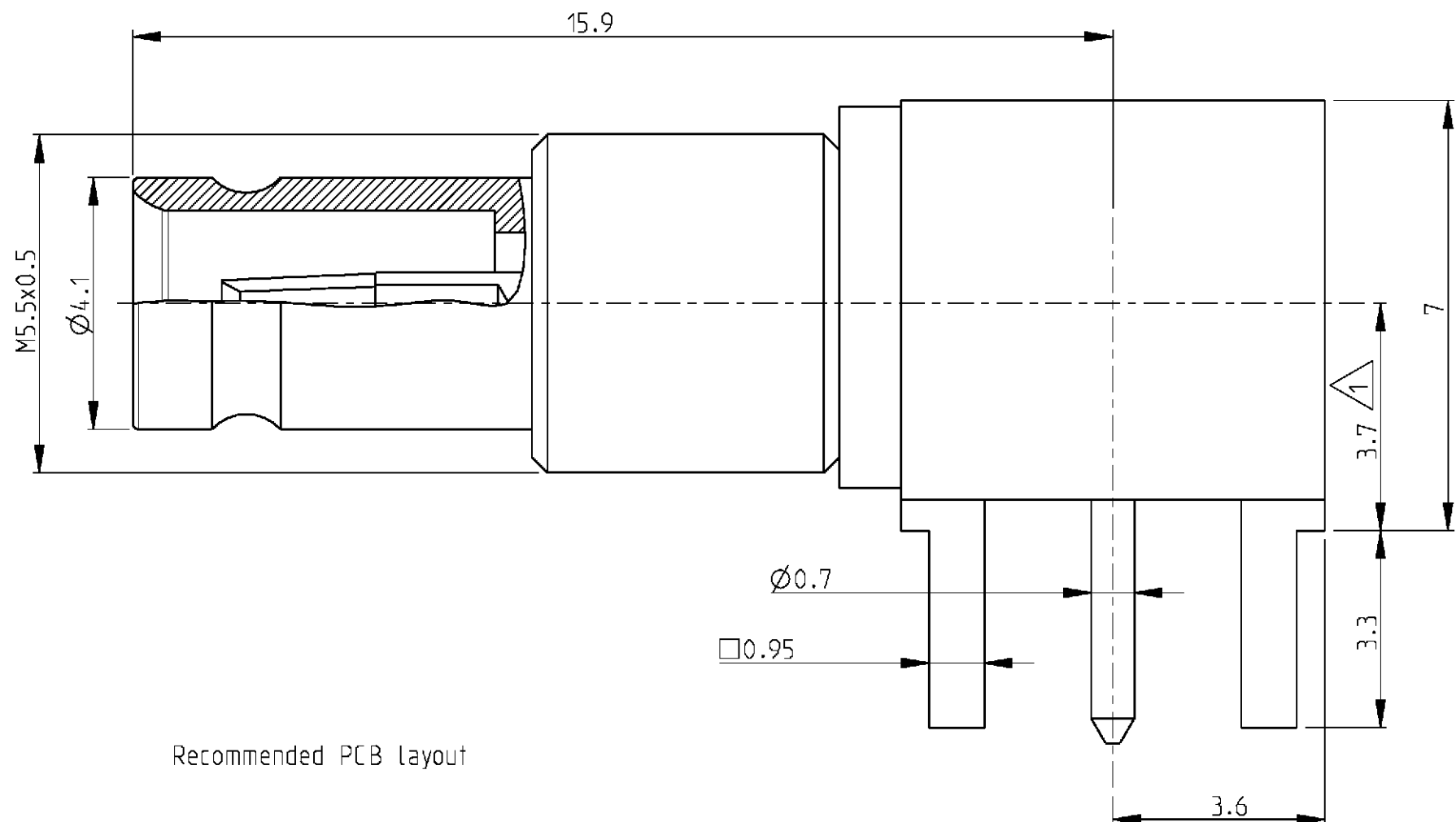


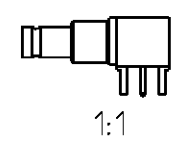
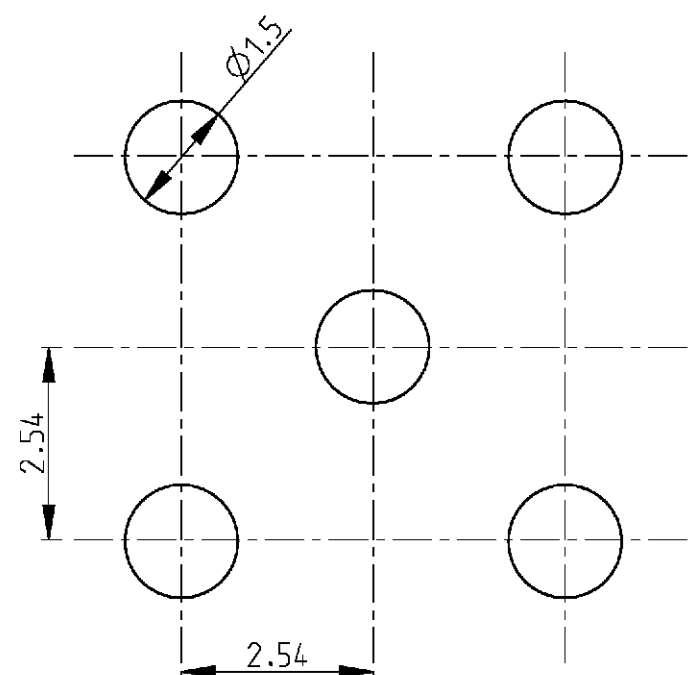
LOC	DIST	REVISIONS				
P	LTR	DESCRIPTION	DATE	DWN	APVD	
GW	-					
	A	-	5APR2001	CM	KM	



2:1

2. Mating face according to DIN 47297 and CECC 22230  
 △ Installation dimension  
 All dimensions are max dimensions unless otherwise specified

Recommended PCB layout



Old Nr	Tyco Nr	Description	Material	Plating
V23600-A1227-G4	4-1393670-0	Body	Brass	4 µm Ag min on solder pins
		Dielectric	PTFE	
		Outer Con.	Brass	1 µm Au min in contact area
		Center Con.	Cu Be	1 µm Au min in contact area

DIMENSIONS:		TOLERANCES UNLESS OTHERWISE SPECIFIED:		DWN MOROBE 02APR2001		tyco Tyco Electronics	
mm				CHK MATTHEEUWS 3APR2001		Oostkamp - Belgium	
0 PLC	±	1 PLC	±0.5	APVD BOZZER 5APR2001		NAME	
2 PLC	±0.13			PRODUCT SPEC		BULKHEAD ANGLE JACK	
3 PLC	±0.013			108-71032		WITH PCB CONNECTION	
4 PLC	±0.0001			APPLICATION SPEC		1.0/2.3 50 Ohm	
MATERIAL	-	FINISH	-	WEIGHT	-	SIZE A3	CAGE CODE 00779
						DRAWING NO	©-4-1393670-0
						RESTRICTED TO	-
						SCALE	10/1
						SHEET	1 OF 1
						REV	A

单击下面可查看定价，库存，交付和生命周期等信息

[>>TE Connectivity\(泰科\)](#)