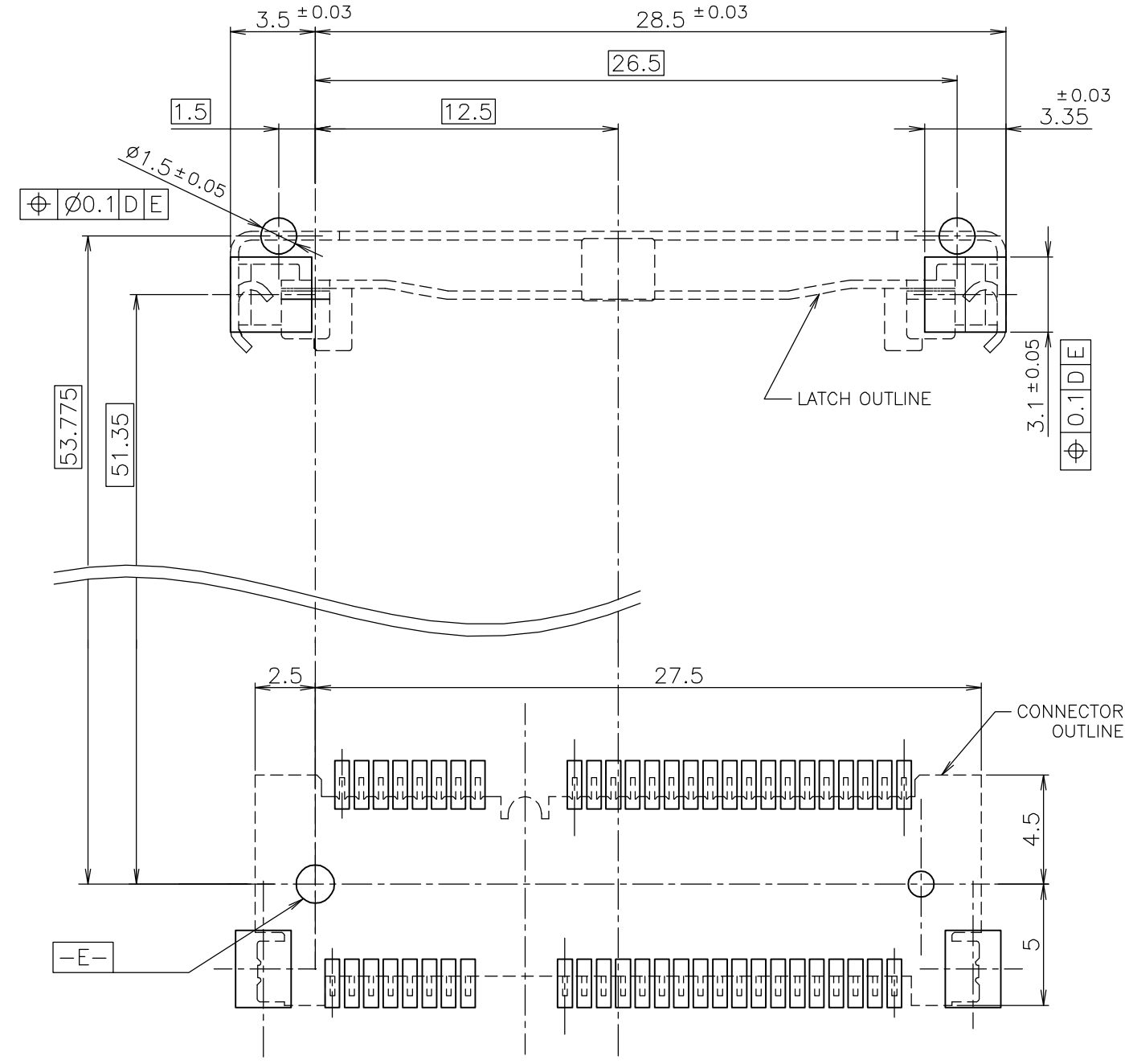
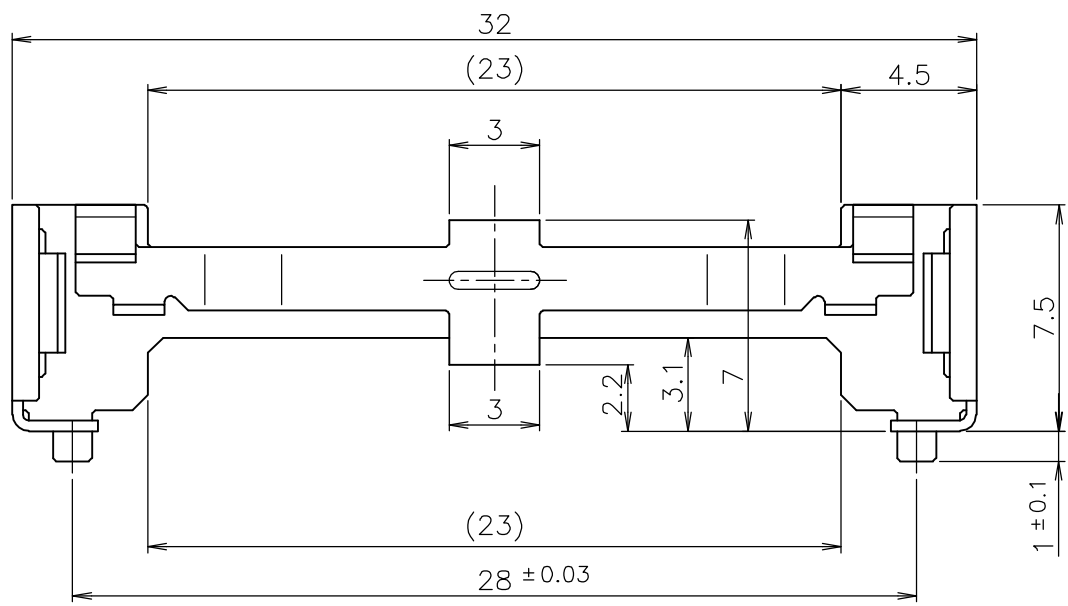
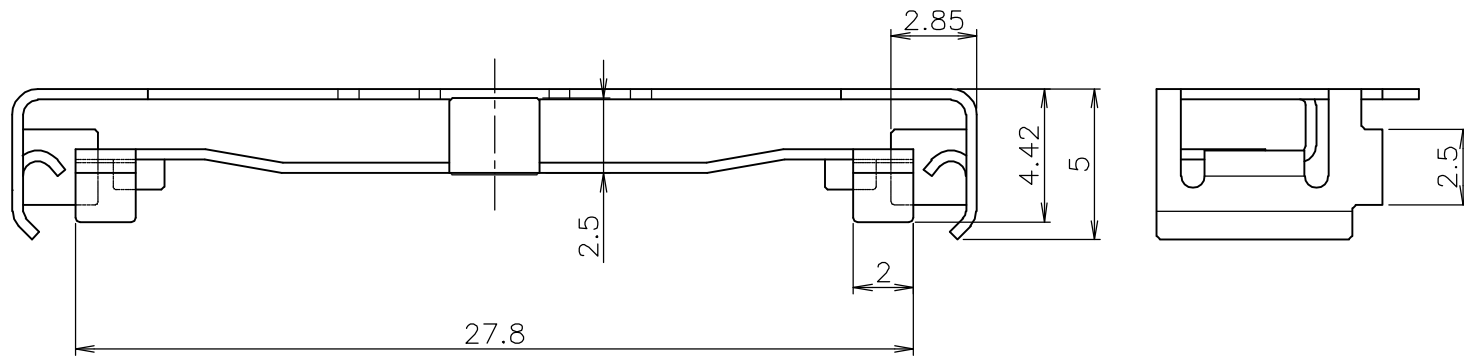
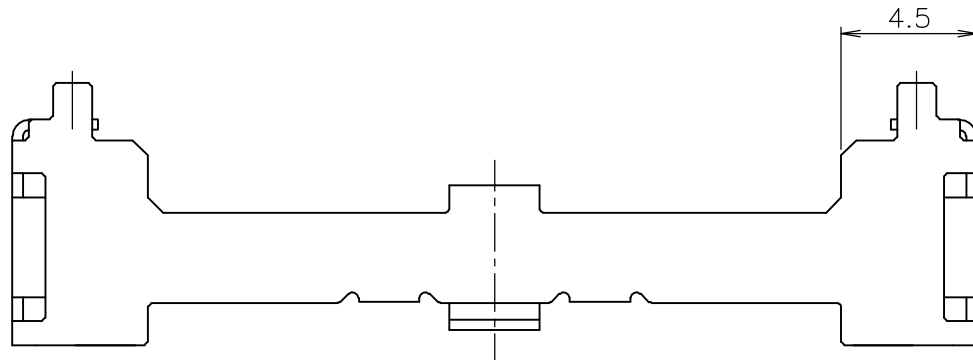


THIS DRAWING IS UNPUBLISHED. RELEASED FOR PUBLICATION JAN 2006.

© COPYRIGHT 2006 BY TYCO ELECTRONICS CORPORATION. ALL RIGHTS RESERVED.

LOC	DIST	REVISIONS					
J		P	LTR	DESCRIPTION	DATE	DWN	APVD
		A		RELEASED	14FEB06	T.K	T.S



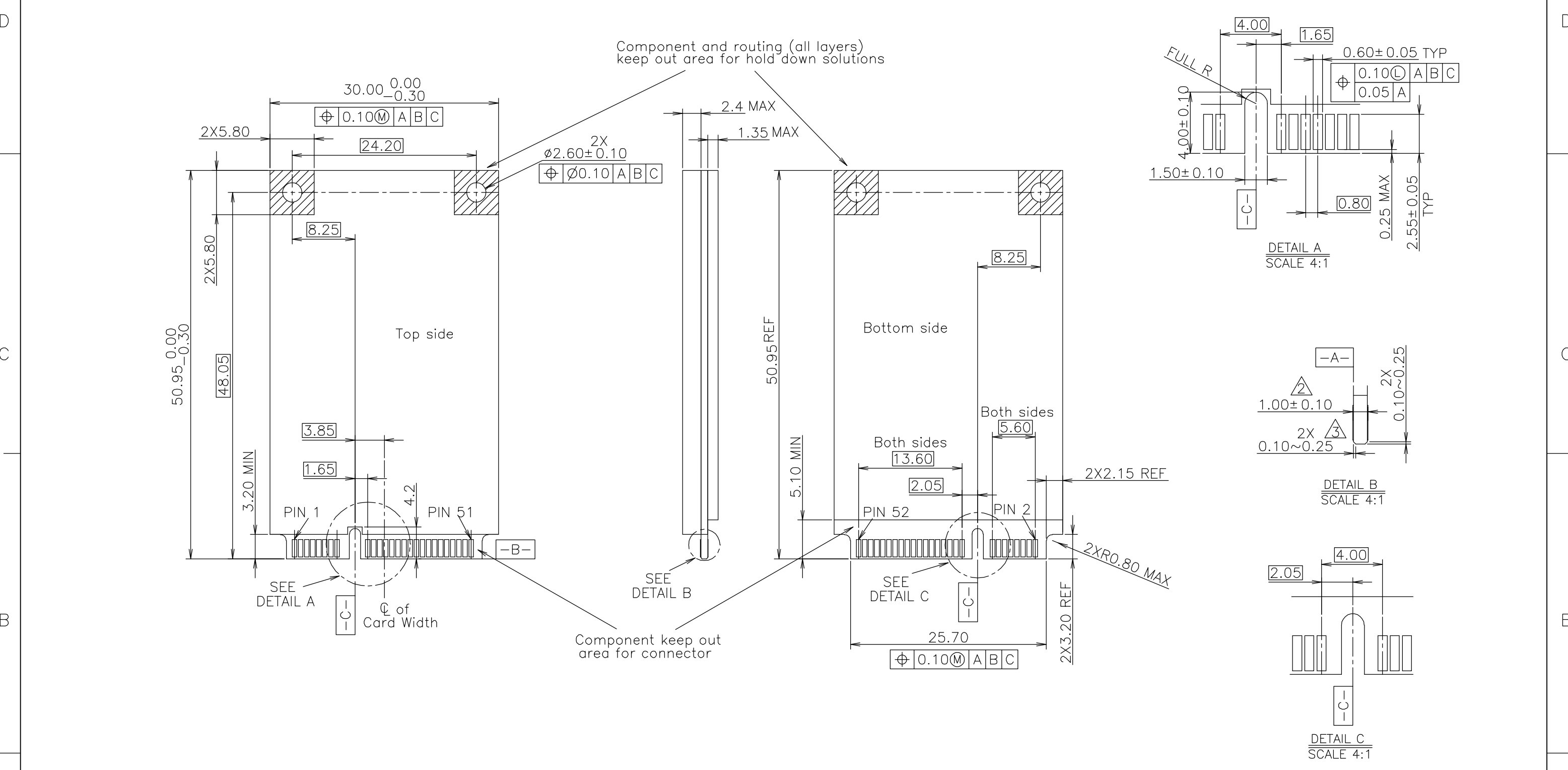
NOTE
 1. MATERIAL : STAINLESS STEEL
 2. FINISH : TIN PLATING ALL OVER NICKEL
 3. [D] IS THE TOP SURFACE OF PCB.

H7	1827682-1
HEIGHT	PART NUMBER
TOLERANCES UNLESS OTHERWISE SPECIFIED 一般公差 10? : ± 0.2 30? >10 : ± 0.25 100? >10 : ± 0.3 ANGLES ± 3°	

THIS DRAWING IS A CONTROLLED DOCUMENT.		DWN T.KAWAMAE 17JAN06	Tyco Electronics AMP K.K. Kawasaki, Japan	
DIMENSIONS: MM		CHK T.SASAKI 17JAN06	NAME	
TOLERANCES UNLESS OTHERWISE SPECIFIED: 0 PLC ± 1 PLC ± 2 PLC ± 3 PLC ± 4 PLC ± ANGLES ±		APVD T.SASAKI 17JAN06	LATCH MINI PCI EXPRESS CONNECTOR	
MATERIAL		PRODUCT SPEC 108-78302	SIZE A3	CAGE CODE 00779
FINISH		APPLICATION SPEC	DRAWING NO C-1827682	RESTRICTED TO
		WEIGHT -	SCALE 4:1 SHEET 1 OF 3 REV A	
		CUSTOMER DRAWING		

THIS DRAWING IS UNPUBLISHED. RELEASED FOR PUBLICATION JAN 2006.
 © COPYRIGHT 2006 BY TYCO ELECTRONICS CORPORATION. ALL RIGHTS RESERVED.

LOC	DIST	REVISIONS			
P	LTR	DESCRIPTION	DATE	DWN	APVD
J		SEE SHEET 1	-	-	-

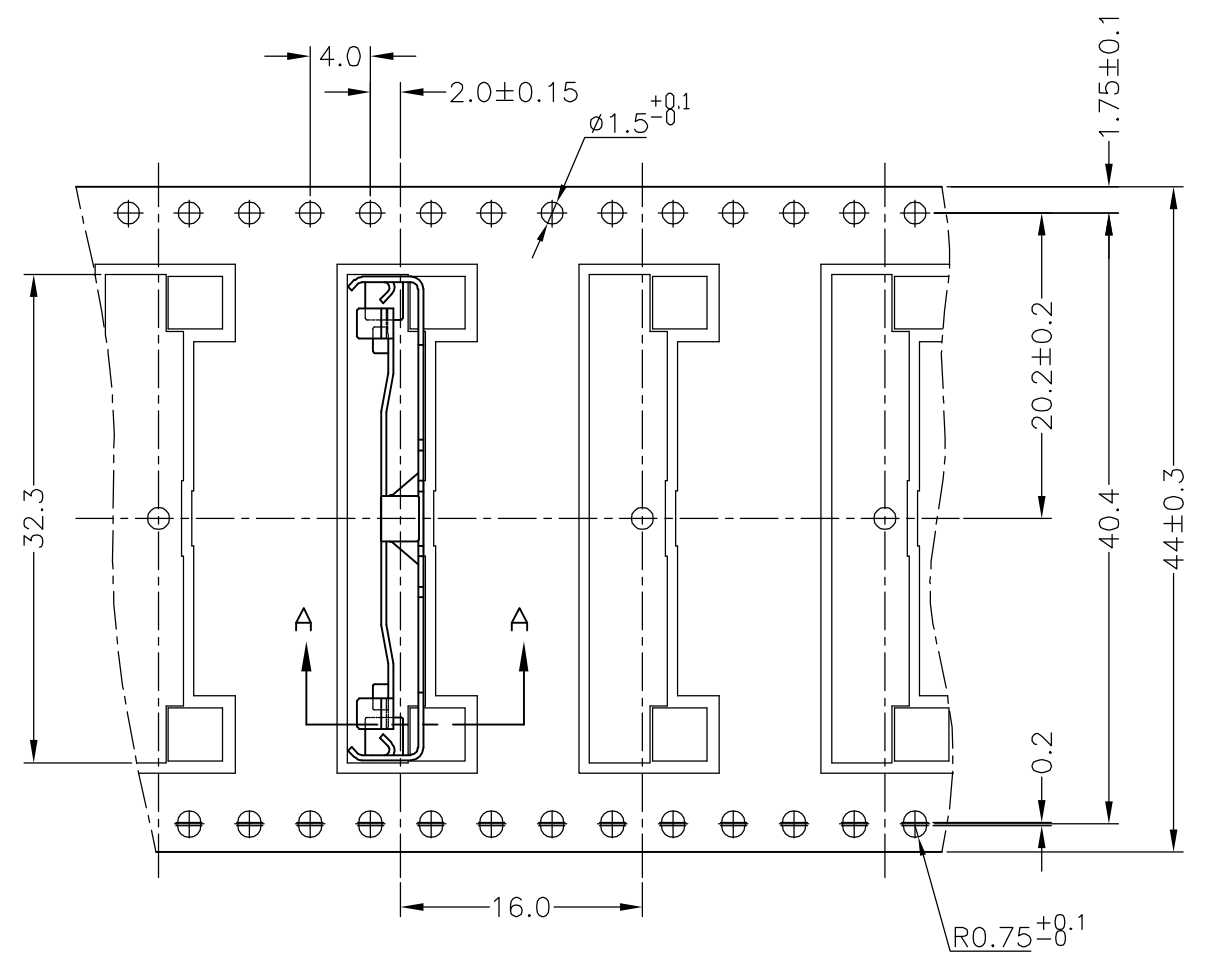


NOTES
 1. PCI EXPRESS MINI CARD, PCB THICKNESS 1.0MM.
 2. CARD THICKNESS APPLIES ACROSS TABS AND INCLUDES PLATING AND/OR METALIZATION.
 3. BEVEL MUST BE FREE OF CUTTING BURRS.

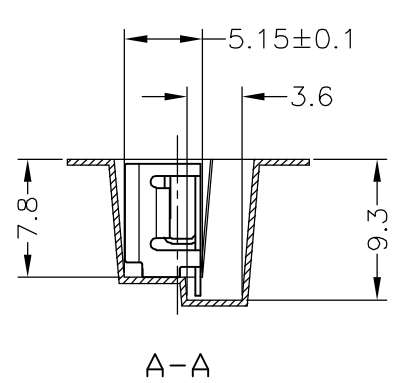
THIS DRAWING IS A CONTROLLED DOCUMENT.		DWN -		Tyco Electronics AMP K.K.	
DIMENSIONS: MM		CHK -		Kawasaki, Japan	
TOLERANCES UNLESS OTHERWISE SPECIFIED:		APVD -		NAME	
0 PLC ±		PRODUCT SPEC		LATCH	
1 PLC ±		APPLICATION SPEC		MINI PCI EXPRESS CONNECTOR	
2 PLC ±		SIZE		CAGE CODE	
3 PLC ±		A3		00779	
4 PLC ±		DRAWING NO		C-1827682	
ANGLES ±		WEIGHT		RESTRICTED TO	
FINISH		CUSTOMER DRAWING		SCALE 2:1	
		SHEET 2 OF 3		REV A	

THIS DRAWING IS UNPUBLISHED. RELEASED FOR PUBLICATION JAN 2006.
 © COPYRIGHT 2006 BY TYCO ELECTRONICS CORPORATION. ALL RIGHTS RESERVED.

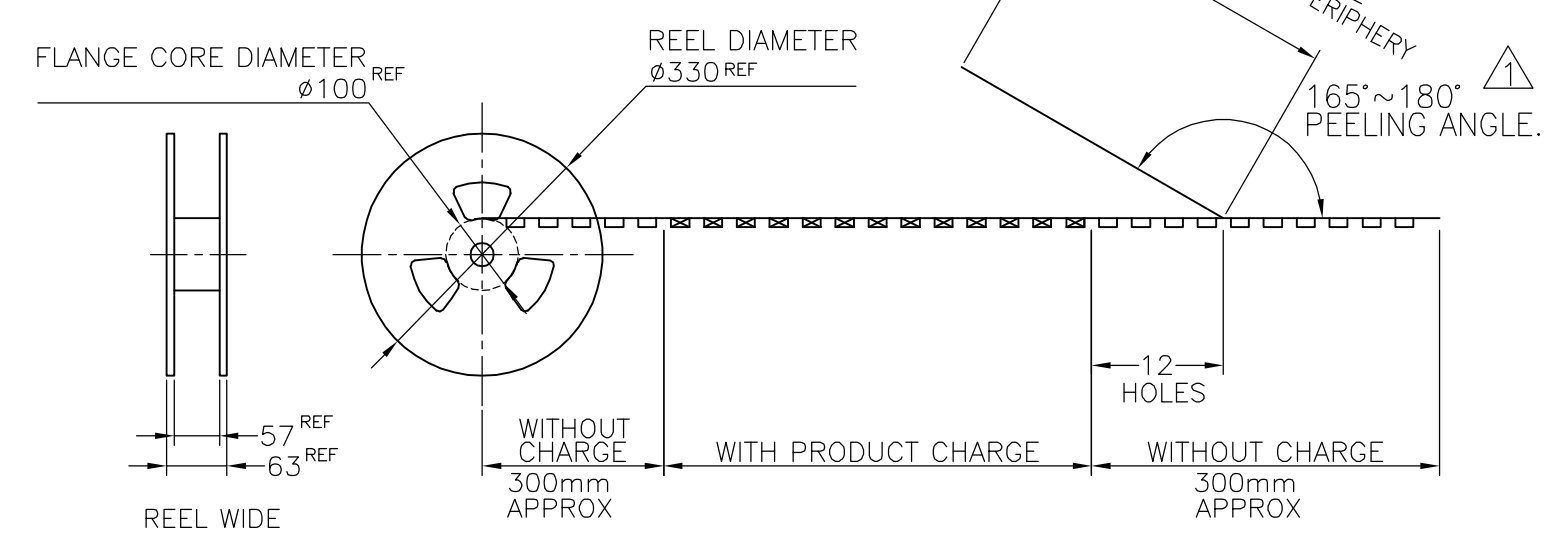
LOC	DIST	REVISIONS			
P	LTR	DESCRIPTION	DATE	DWN	APVD
		SEE SHEET 1	-	-	-



△ PEELING RESISTANCE: 0.1~0.3N
 SPEED: 300mm/min.



TOP OF REEL →



300EA	8-912103-4	1827682-1
QTY/REEL	EMBOSS TAPE P/N	P/N

THIS DRAWING IS A CONTROLLED DOCUMENT.		DWN	tyco Tyco Electronics AMP K.K. Kawasaki, Japan		
DIMENSIONS: MM		CHK	NAME		
TOLERANCES UNLESS OTHERWISE SPECIFIED:		APVD	LATCH MINI PCI EXPRESS CONNECTOR		
0 PLC ±		PRODUCT SPEC	SIZE	CAGE CODE	DRAWING NO
1 PLC ±		APPLICATION SPEC	A3	00779	C-1827682
2 PLC ±		WEIGHT	RESTRICTED TO		
3 PLC ±			CUSTOMER DRAWING		
4 PLC ±			SCALE	SHEET	REV
ANGLES ±			4:1	3 OF 3	A
FINISH					

单击下面可查看定价，库存，交付和生命周期等信息

[>>TE Connectivity\(泰科\)](#)