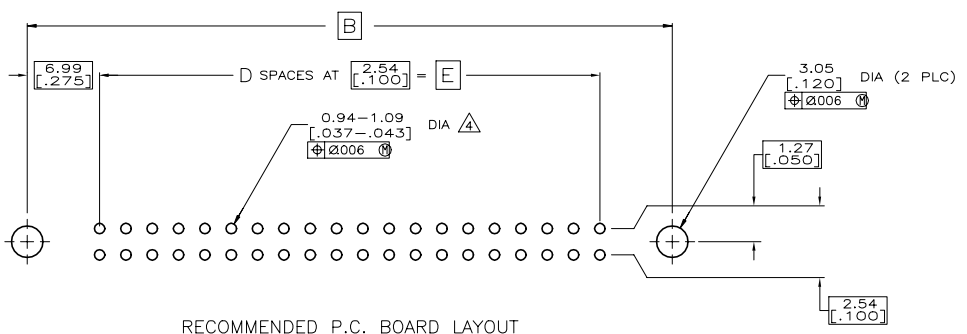
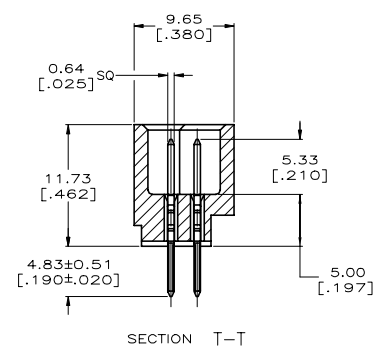
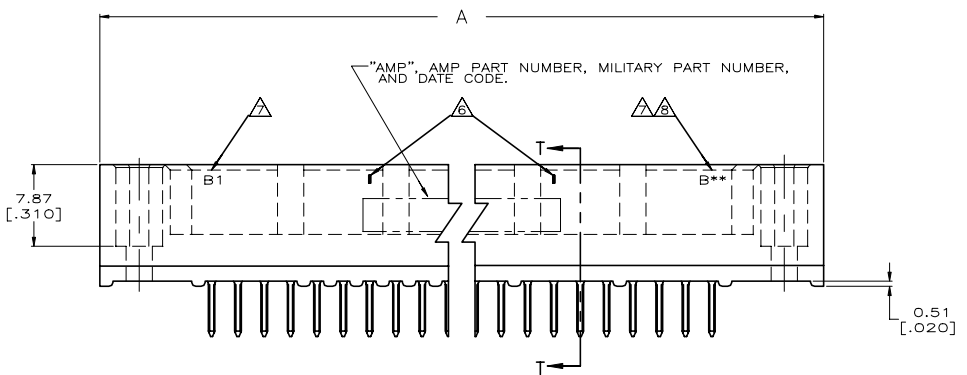
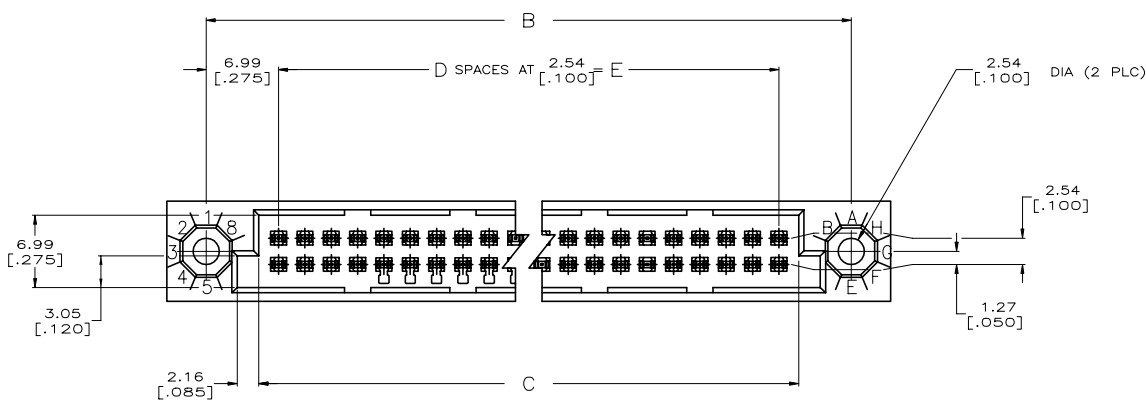


REVISIONS				
REV	DATE	DESCRIPTION	BY	APP'D
E	29JULY20	REVISED PER ECO-20-010471	DS	HL



RECOMMENDED P.C. BOARD LAYOUT

THIS DRAWING IS A CONTROLLED DOCUMENT.		DATE: 2/25/93	TE Connectivity Ltd.	
DRAWN BY: J. HOFFMAN		DATE: 03/23/93	NAME: HDI, 2 ROW, PIN ASSEMBLY, 4.83 LONG SOLDER .00076 [.000050] GOLD PLATE	
CHECKED BY: S. SKIPPER		DATE: 03/23/93	SIZE: A1	
DRAWN BY: S. SKIPPER		DATE: 03/23/93	SCALE: 4:1	
DRAWN BY: S. SKIPPER		DATE: 03/23/93	SHEET: 1 of 2	
DRAWN BY: S. SKIPPER		DATE: 03/23/93	REV: F	
DRAWN BY: S. SKIPPER		DATE: 03/23/93	CUSTOMER DRAWING	

REVISIONS			
REV	DATE	DESCRIPTION	BY
1	03/23/83	SEE SHEET 1	---

- △ HOUSING MATERIAL: THERMOPLASTIC, COLOR-NATURAL.
- △ CONTACT MATERIAL: PHOSPHOR BRONZE.
- △ CONTACT FINISH: .00127-.00254 [.000050-.000100] NICKEL UNDERPLATE ALL OVER; .00127 [.000050] GOLD PLATE IN CONTACT AREA, TIN-LEAD PLATED POSTS.
- △ SOLDER PIN POST RECOMMENDED P.C. BOARD HOLE SIZES ARE 0.94-1.09 [.037-.043]; RECOMMENDED PAD DIA IS 1.52 [.060].
- 5. DIMENSIONS IN BRACKETS ARE IN INCHES.
- △ MARK EVERY TENTH POST POSITION.
- △ MARK ROW B AND FIRST-LAST POSITION IDENT. NUMBER PER AMP SPEC. 115-9063.
- △ TOTAL NUMBER OF POSITIONS PER ROW.

-	N/A	137.16 [5.400]	54	140.97 [5.550]	151.13 [5.950]	158.75 [6.250]	110	1-533903-1
-	M55302/173-150	187.96 [7.400]	74	191.77 [7.550]	201.93 [7.950]	209.55 [8.250]	150	1-533903-0
-	M55302/173-87	124.46 [4.900]	49	128.27 [5.050]	138.43 [5.450]	146.05 [5.750]	100	533903-8
-	M55302/173-51	73.66 [2.900]	29	77.47 [3.050]	87.63 [3.450]	95.25 [3.750]	60	533903-6
-	-	-	-	-	-	-	-	533903-5
-	-	-	-	-	-	-	-	533903-4
-	M55302/173-24	48.26 [1.900]	19	52.07 [2.050]	62.23 [2.450]	69.85 [2.750]	40	533903-3
-	-	-	-	-	-	-	-	533903-2
-	-	-	-	-	-	-	-	533903-1
NOTES	MILITARY PART NUMBER	E	D	C	B	A	POSN	PART NUMBER

THIS DRAWING IS A CONTROLLED DOCUMENT.		DATE: 2/25/83	TE Connectivity Ltd.	
DRAWN BY: J. HOFFEMAN		DATE: 03/23/83	TE Connectivity Ltd.	
CHECKED BY: D.S. SKIPPER		DATE: 03/23/83	TE Connectivity Ltd.	
DIMENSIONS: mm (INCHES)		PRODUCT SPEC	HDI, 2 ROW, PIN ASSEMBLY.	
OTHER TOLERANCES:		APPLICATION SPEC	4.83 [.190] LONG SOLDER PINS.	
0 P.L.C. ± .001			.00076 [.000050] GOLD PLATE	
1 P.L.C. ± .002				
2 P.L.C. ± .003				
3 P.L.C. ± .004				
4 P.L.C. ± .005				
MATERIAL: BRASS		WEIGHT: -	SIZE: A1	DATE CODE: 00779
FINISH: △		REVISION: C=533903	DRAWING NO: C=533903	RESTRICTED TO: -
CUSTOMER DRAWING		SCALE: 4:1	SHEET: 2 of 2	REV: F

单击下面可查看定价，库存，交付和生命周期等信息

[>>TE Connectivity\(泰科\)](#)