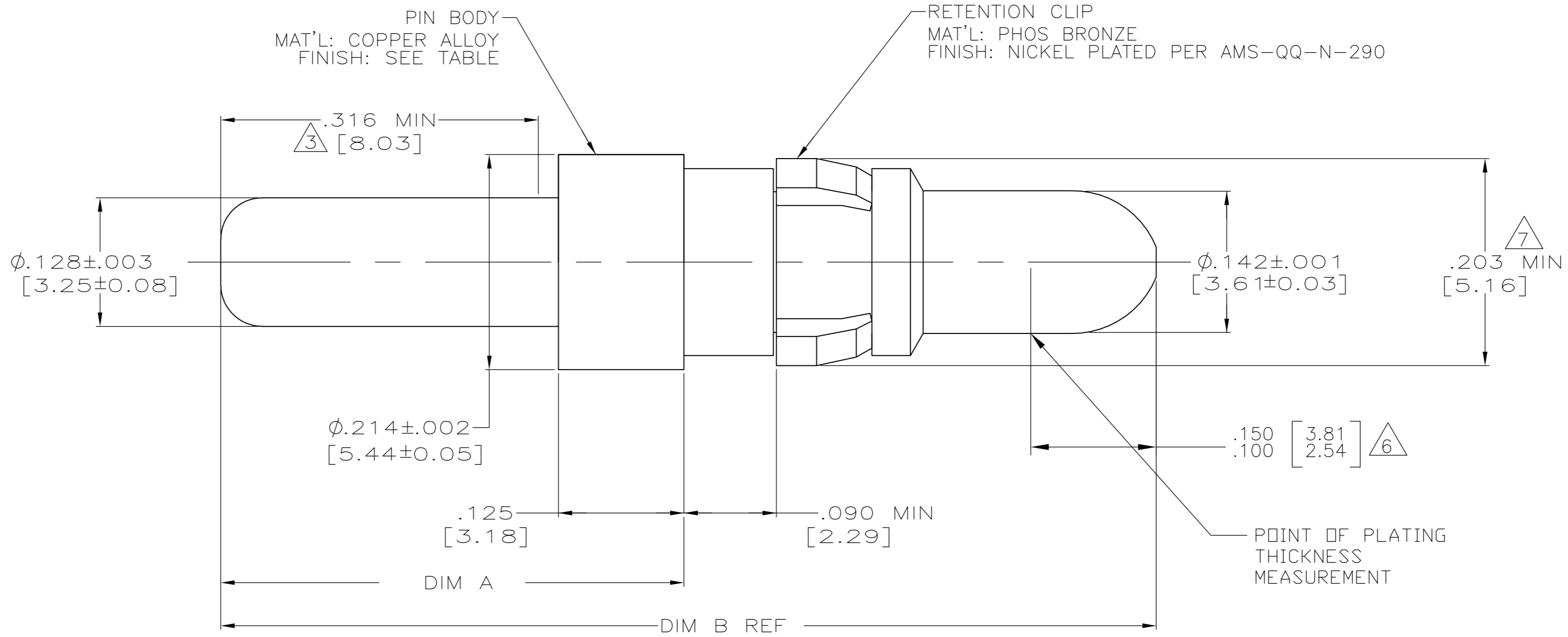


THIS DRAWING IS UNPUBLISHED. RELEASED FOR PUBLICATION  
 © COPYRIGHT - By - ALL RIGHTS RESERVED.

LOC		DIST		REVISIONS			
P	LTR	DESCRIPTION		DATE	DWN	APVD	
E		REV PER ECO 15-000491		4-24-15	CT	CD	



- 1 FINISH: PLATED GOLD .000050 [0.00127] MIN THK PER ASTM-B-488 OVER NICKEL .000050 [0.00127] MIN THK PER AMS-QQ-N-290.
- 2 FINISH: PLATED GOLD .000030 [0.00076] MIN THK PER ASTM-B-488 OVER NICKEL .000050 [0.00127] MIN THK PER AMS-QQ-N-290.
- 3 THIS AREA SHALL SATISFY THE REQUIREMENTS OF MIL-STD-202, METHOD 208.
- 4. THIS CONTACT CAN BE USED IN ANY AMPLIMITE PLUG CONNECTOR WITH SIZE 8 CONTACT CAVITIES.
- 5 RESTRICTED PART NUMBER.
- 6 FINISH:  
MATING AREA: GOLD PER ASTM-B-488 (TYPE II) OVER NICKEL PER AMS-QQ-N-290  
NON-MATING AREA: GOLD STRIKE PER ASTM-B-488 OVER NICKEL PER AMS-QQ-N-290
- 7 DIMENSION MUST BE MEASURED USING A RING GAGE.

PRELIMINARY NOT RELEASED FOR PRODUCTION	5			1-449379-2
	2	.845 [21.46]	.375 [9.53]	1-449379-1
	2	.931 [23.65]	.461 [11.71]	1-449379-0
	6	.845 [21.46]	.375 [9.53]	449379-2
	6	.931 [23.65]	.461 [11.71]	449379-1
	FINISH	DIM B	DIM A	PART NUMBER

THIS DRAWING IS A CONTROLLED DOCUMENT.

DIMENSIONS: INCHES [mm]	TOLERANCES UNLESS OTHERWISE SPECIFIED: 0 PLC ± - 1 PLC ± - 2 PLC ± - 3 PLC ± .005 [0.13] 4 PLC ± - ANGLES ± -	DWN C.C.THOMAS 11/10/00 CHK D.MILLER 11/10/00 APVD D.MILLER 11/10/00 PRODUCT SPEC APPLICATION SPEC	NAME ASSEMBLY,PIN CONTACT SIZE 8,STRAIGHT POST,PCB
MATERIAL SEE CALLOUTS	FINISH SEE TABLE	WEIGHT -	SIZE A2
CUSTOMER DRAWING		SCALE 10:1	SHEET 1 OF 1

TE Connectivity

RESTRICTED TO

单击下面可查看定价，库存，交付和生命周期等信息

[>>TE Connectivity\(泰科\)](#)