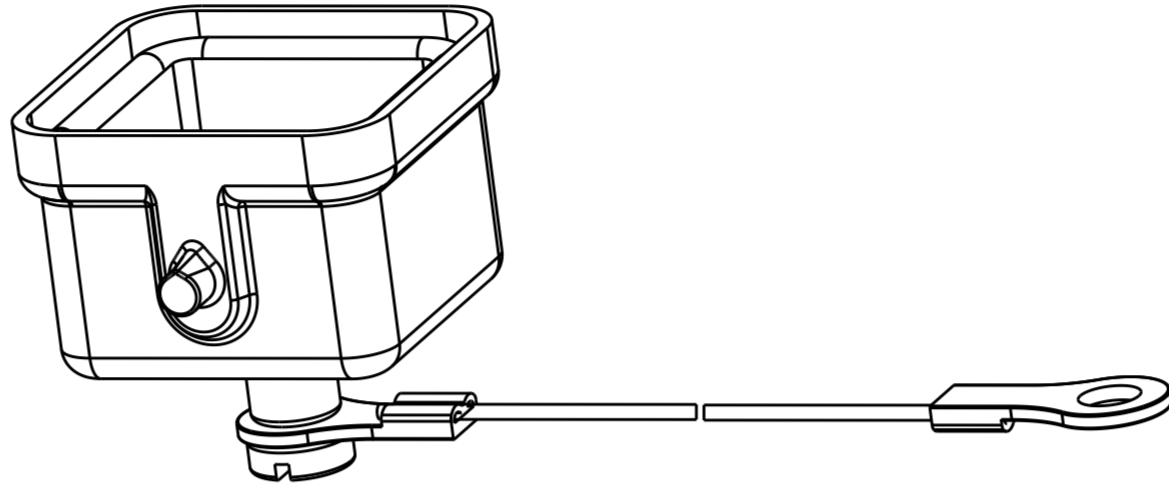
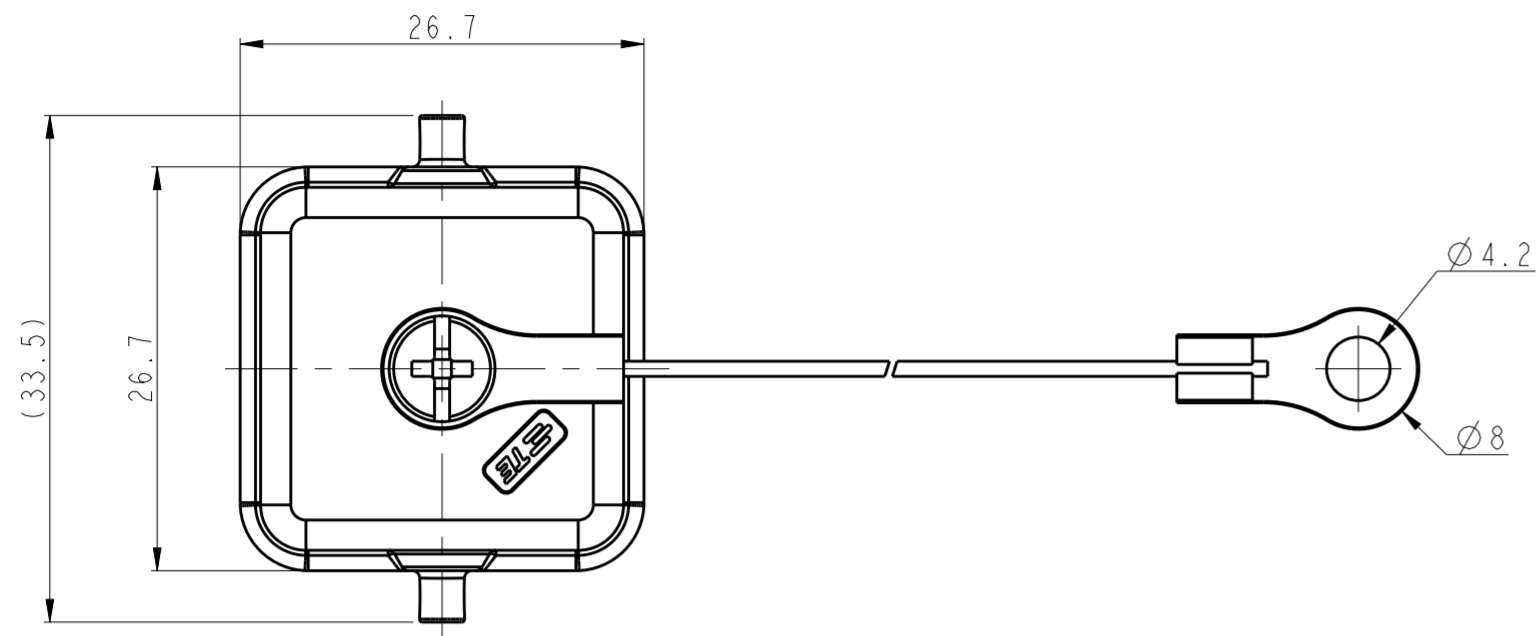


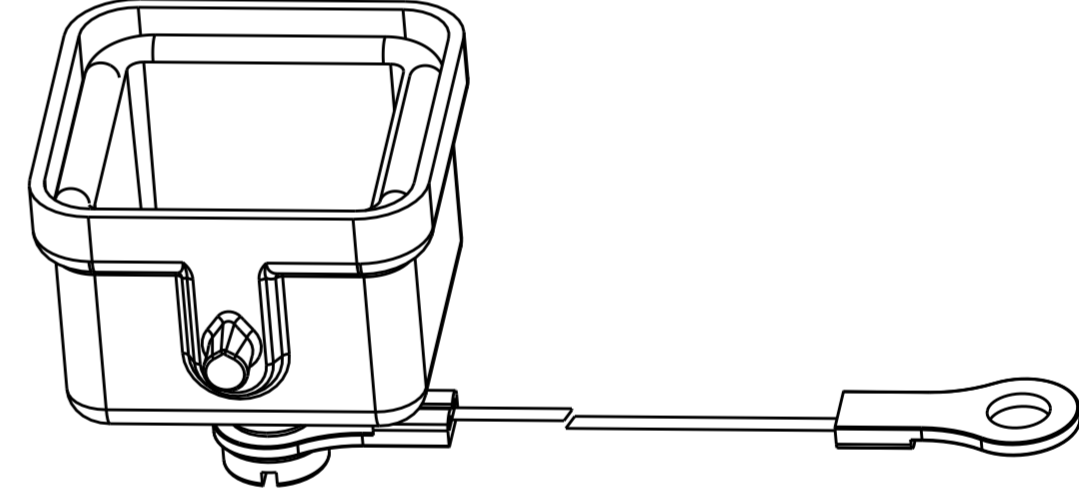
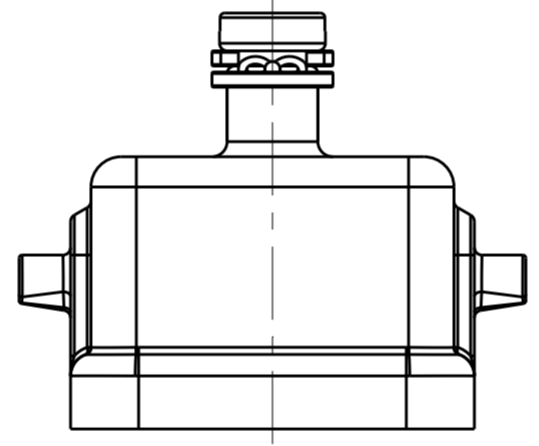
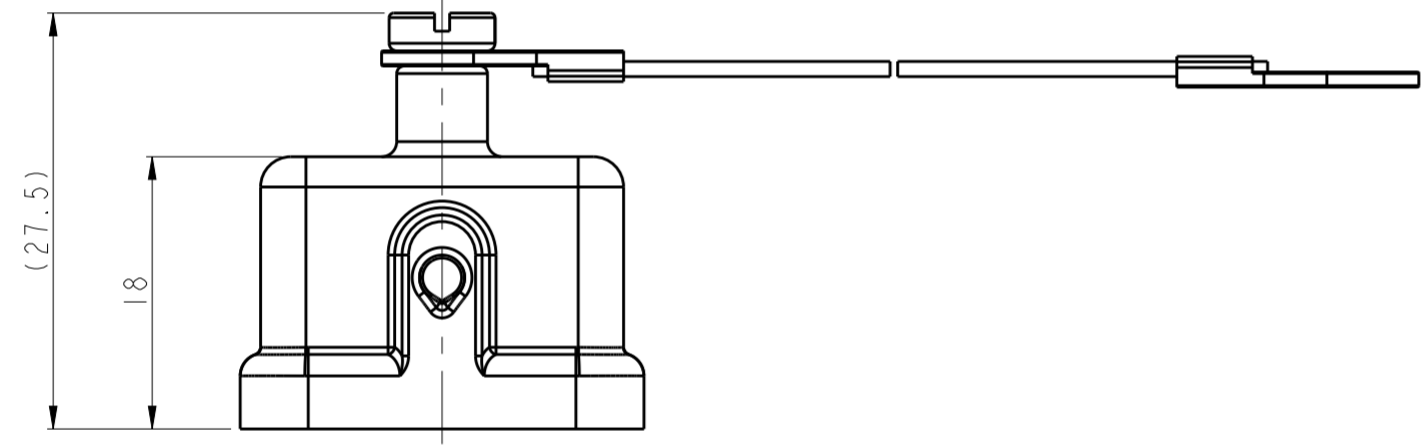
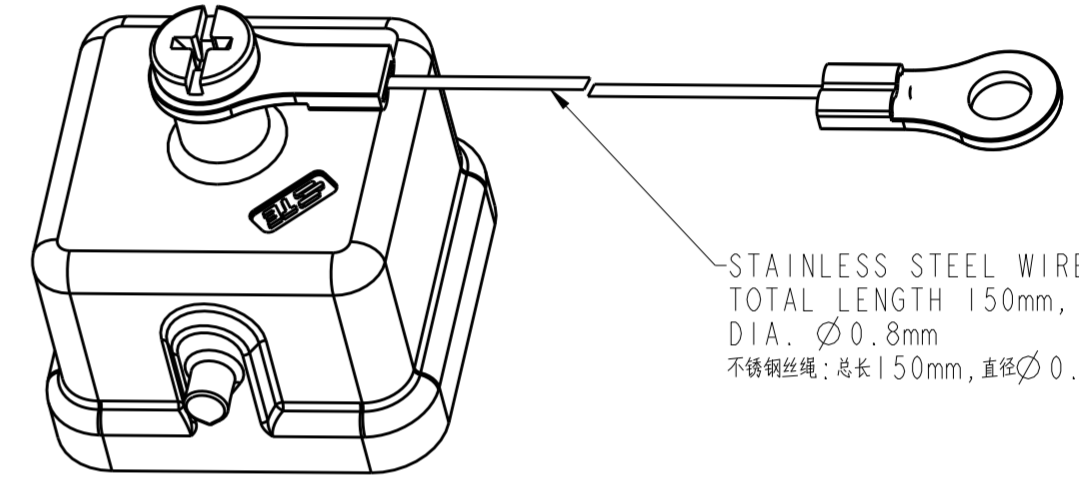
THIS DRAWING IS UNPUBLISHED. RELEASED FOR PUBLICATION  
 © COPYRIGHT copyright.d8Te- ALL RIGHTS RESERVED.

REVISIONS					
P	LTR	DESCRIPTION	DATE	DWN	APVD
	A	INITIAL	10JUL2017	CH	CW

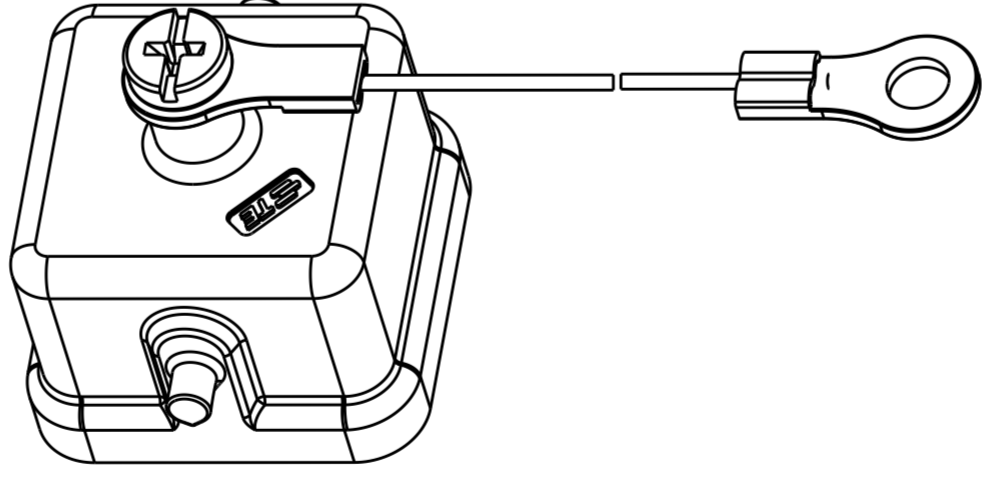
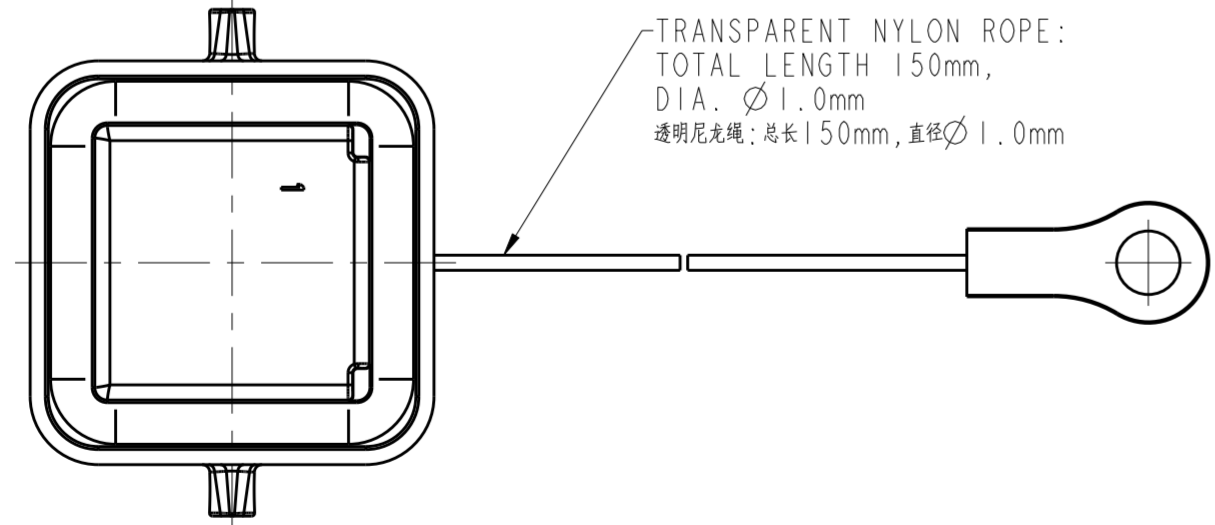


NOTES:  
 1. TECHNICAL CHARACTERISTICS:  
 COVER MATERIAL: ZINC ALLOY  
 COVER SURFACE: POWDER COATED, GREY

注释:  
 1. 技术参数:  
 保护盖材质: 锌合金  
 保护盖表面处理: 灰色粉末喷涂



TRANSPARENT NYLON ROPE:  
 TOTAL LENGTH 150mm,  
 DIA. Ø1.0mm  
 透明尼龙绳: 总长150mm, 直径Ø1.0mm



TYPE 2: H3A HOUSING METAL PROTECTION COVER,  
 2 EAR, SEALING, STEEL WIRE ROPE, GREY  
 THIS TYPE IS SAME AS TYPE 1, ONLY DIFFERENT ROPE.  
 类型2: H3A下壳金属保护盖, 2耳, 带密封, 钢丝绳, 灰色  
 此类型同类型1一样, 只是绳子不一样.

T1010033101-000	H3A-KDBM-SS	H3A HOUSING METAL PROTECTION COVER, 2 EAR, SEALING, STEEL WIRE ROPE, GREY H3A下壳金属保护盖, 2耳, 带密封, 钢丝绳, 灰色	TYPE 2 类型2
T1010033100-000	H3A-KDBM	H3A HOUSING METAL PROTECTION COVER, 2 EAR, SEALING, NYLON ROPE, GREY H3A下壳金属保护盖, 2耳, 带密封, 尼龙绳, 灰色	TYPE 1 类型1
PART NUMBER 料号	PART DESCRIPTION 描述		TYPE 类型

TYPE 1: H3A HOUSING METAL PROTECTION COVER,  
 2 EAR, SEALING, NYLON ROPE, GREY  
 类型1: H3A下壳金属保护盖, 2耳, 带密封, 尼龙绳, 灰色

THIS DRAWING IS A CONTROLLED DOCUMENT.		DWN CHARLIE HU 10JUL2017	TE Connectivity	
		CHK GINO YAO 10JUL2017		
		APVD CHRIS WANG 10JUL2017	NAME H3A-KDBM/-SS	
DIMENSIONS: mm		TOLERANCES UNLESS OTHERWISE SPECIFIED:		PRODUCT SPEC -
		0 PLC ± 1 PLC ± 2 PLC ± 3 PLC ± 4 PLC ± ANGLES ± FINISH -		APPLICATION SPEC -
MATERIAL -		WEIGHT -		SIZE A2
		CUSTOMER DRAWING		SCALE 2:1
		SHEET 1 OF 1		RESTRICTED TO -
		DRAWING NO G-T101003310X000		REV A

单击下面可查看定价，库存，交付和生命周期等信息

[>>TE Connectivity\(泰科\)](#)