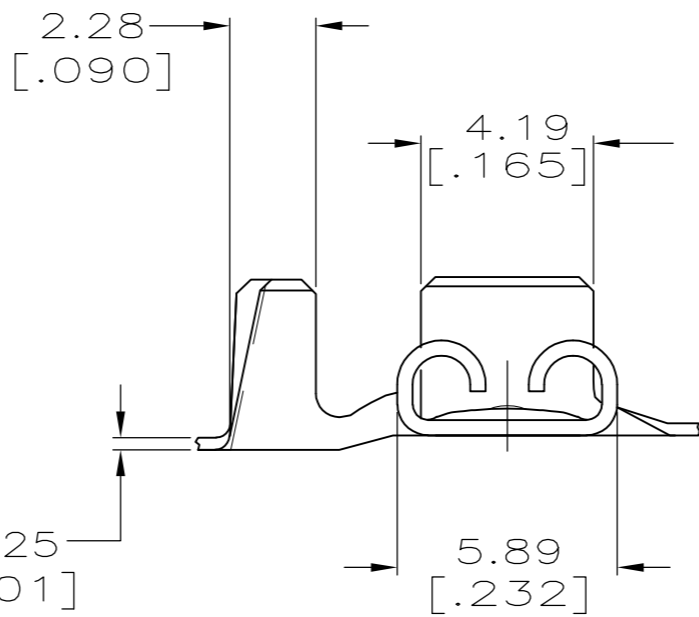
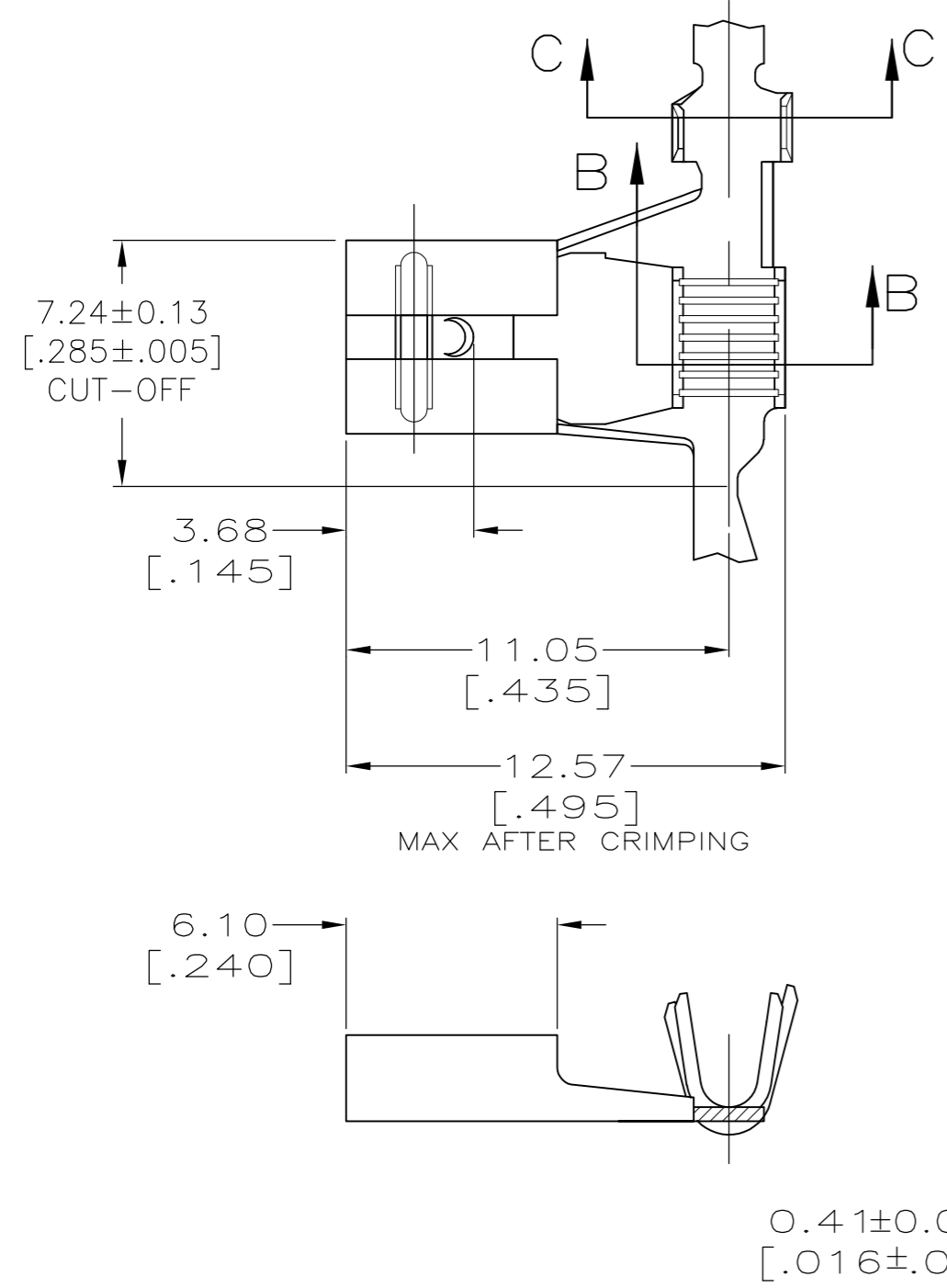
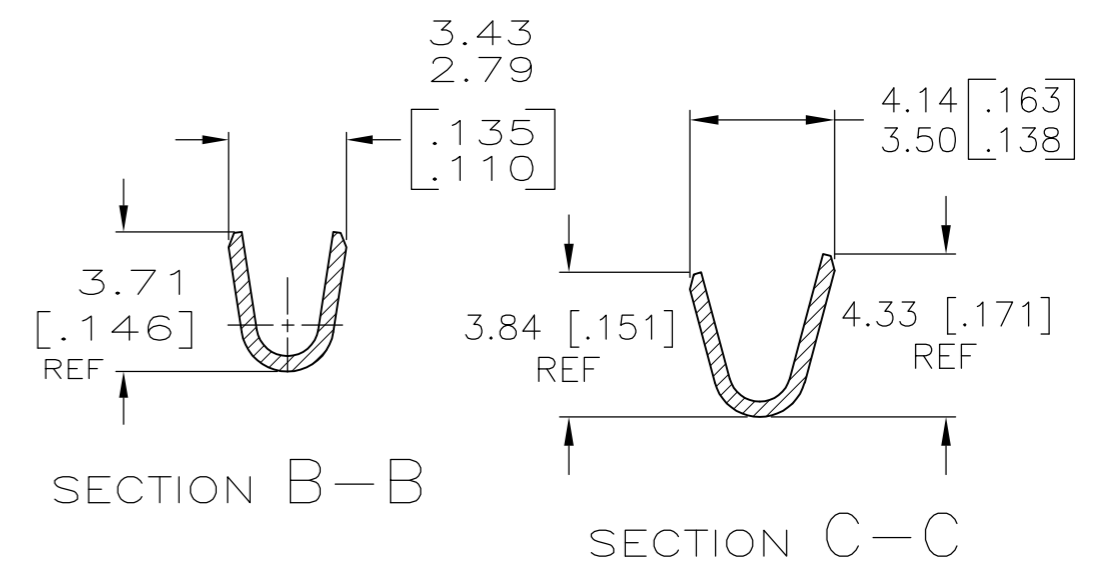


THIS DRAWING IS UNPUBLISHED. RELEASED FOR PUBLICATION
 © COPYRIGHT BY TYCO ELECTRONICS CORPORATION. ALL RIGHTS RESERVED.

LOC	DIST	REVISIONS			
P	LTR	DESCRIPTION	DATE	DWN	APVD
AF	50	A1	REVISED PER ECR-08-017316	11JUL08	HMR PD



- CONTINUOUS STRIP ON REELS.
- ACCEPTS ONE #17 MAGNET WIRE WITH ONE STRANDED #18 AWG. FOR A TOTAL CMA OF 2000-4050.
- MATING TAB THK TO BE 0.81±0.025 [.032±.001]
- 0.002032 [.000080] MIN TIN



1742685-1
PART NO.

THIS DRAWING IS A CONTROLLED DOCUMENT.		DWN RAGHAVENDRA 06MAR08	Tyco Electronics Corporation Harrisburg, PA 17105-3608	
DIMENSIONS: mm [INCHES]	TOLERANCES UNLESS OTHERWISE SPECIFIED:	CHK P DESANTIS 06MAR08	RECEPTACLE, FASTON, FLAG, AMPLIVAR, 4.75 [.187] SERIES	
	0 PLC ± -	APVD P DESANTIS 06MAR08	NAME	
	1 PLC ± -	PRODUCT SPEC	SIZE CAGE CODE DRAWING NO RESTRICTED TO	
	2 PLC ± 0.25 [.010]	APPLICATION SPEC	A3 00779 C-1742685	
	3 PLC ± -	WEIGHT	SCALE 5:1 SHEET 1 OF 1 REV A1	
	4 PLC ± -	CUSTOMER DRAWING		
	ANGLES ± -			
MATERIAL H04 BRASS	FINISH			
	4			

单击下面可查看定价，库存，交付和生命周期等信息

[>>TE Connectivity\(泰科\)](#)