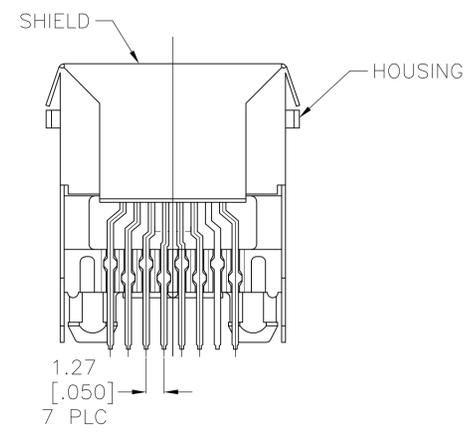
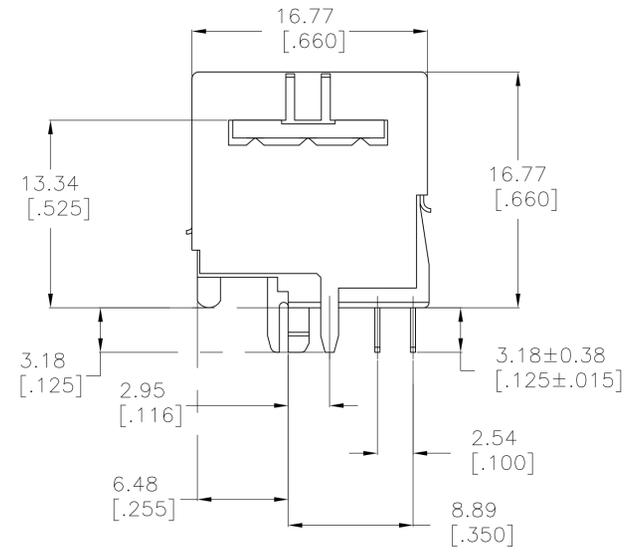
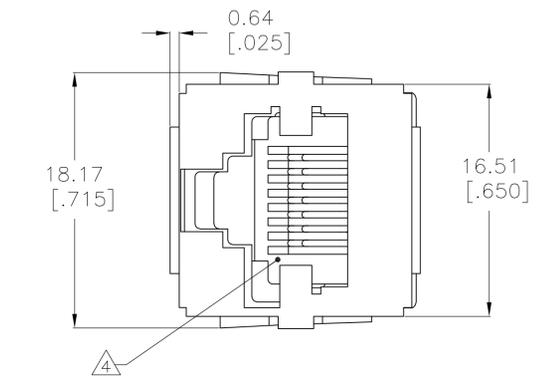
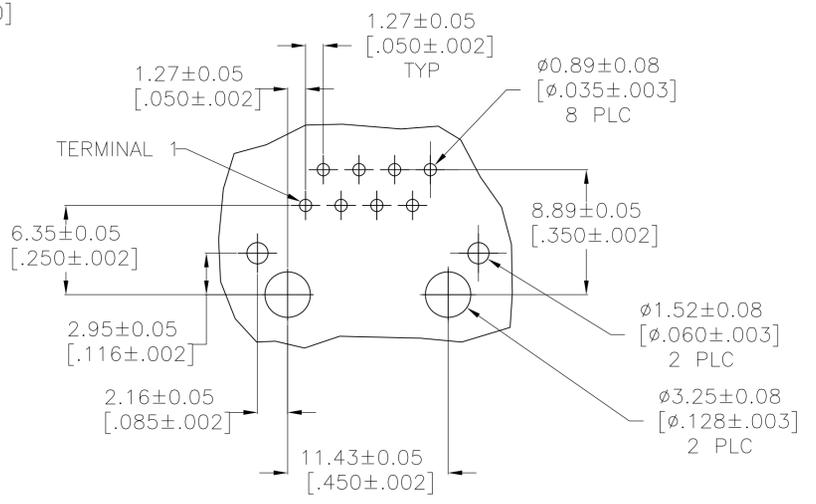
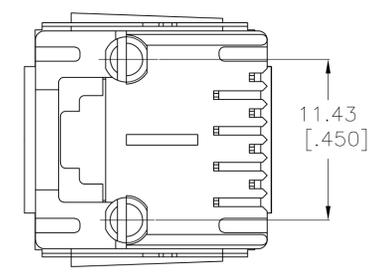


LOC		DIST		REVISIONS			
P	LTR	DESCRIPTION	DATE	DMN	APVD		
C1		REVISED PER ECO-11-005140	02APR11	RK	HMR		

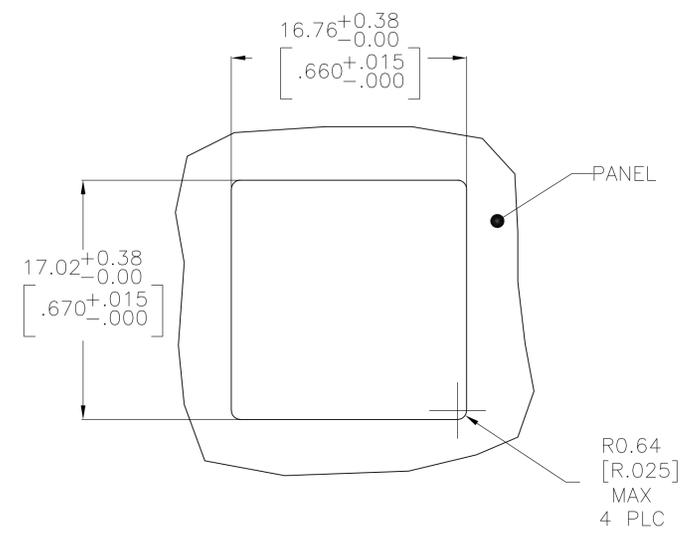


- MATERIAL:  
 HOUSING – POLYESTER MOLDING COMPOUND, COLOR: BLACK  
 TERMINALS – 0.35[.0138] THICK PHOS BRONZE PLATED WITH 1.27μm[.000050] MIN THICK GOLD IN LOCALIZED AREA AND 3.81μm[.000150] MIN THICK MATTE TIN IN SOLDER AREA OVER 1.27μm[.000050] MIN THICK NICKEL UNDERPLATE  
 SHIELD – COPPER ZINC ALLOY PLATED WITH 3.0μm [.000120] MIN THICK REFLOWED TIN.

△2 CAVITY CONFORMS TO FCC RULES AND REGULATIONS PART 68 AND REA BULLETIN 345-81, PE-76 SPECIFICATION FOR MODULAR TELEPHONE HARDWARE.



RECOMMENDED PRINTED CIRCUIT BOARD LAYOUT COMPONENT SIDE SHOWN



RECOMMENDED PANEL CUTOUT

5557730-1  
PART NUMBER

THIS DRAWING IS A CONTROLLED DOCUMENT.		DIN 0. STRAUSSER/LA. MAYER 22APR2005		CHK J. WESTMAN 22APR2005		APVD S. FLICKINGER 22APR2005		NAME		MODULAR JACK ASSEMBLY, TOP ENTRY, 8 POSITION, FLANGELESS, SHIELDED, KEYED WITH PANEL STOPS, PANEL AND PCB GROUNDS	
DIMENSIONS: mm [INCHES]		TOLERANCES UNLESS OTHERWISE SPECIFIED:		PRODUCT SPEC		APPLICATION SPEC		SIZE		CAGE CODE DRAWING NO	
0 PLC ± -		1 PLC ± -		108-1163		114-2048		A1		00779 5557730	
2 PLC ± -		3 PLC ± 0.13[.005]		114-2048		A1		00779		5557730	
4 PLC ± -		ANGLES ± ± -		CUSTOMER DRAWING		SCALE 4:1		SHEET 1 OF 1		REV C1	

单击下面可查看定价，库存，交付和生命周期等信息

[>>TE Connectivity\(泰科\)](#)