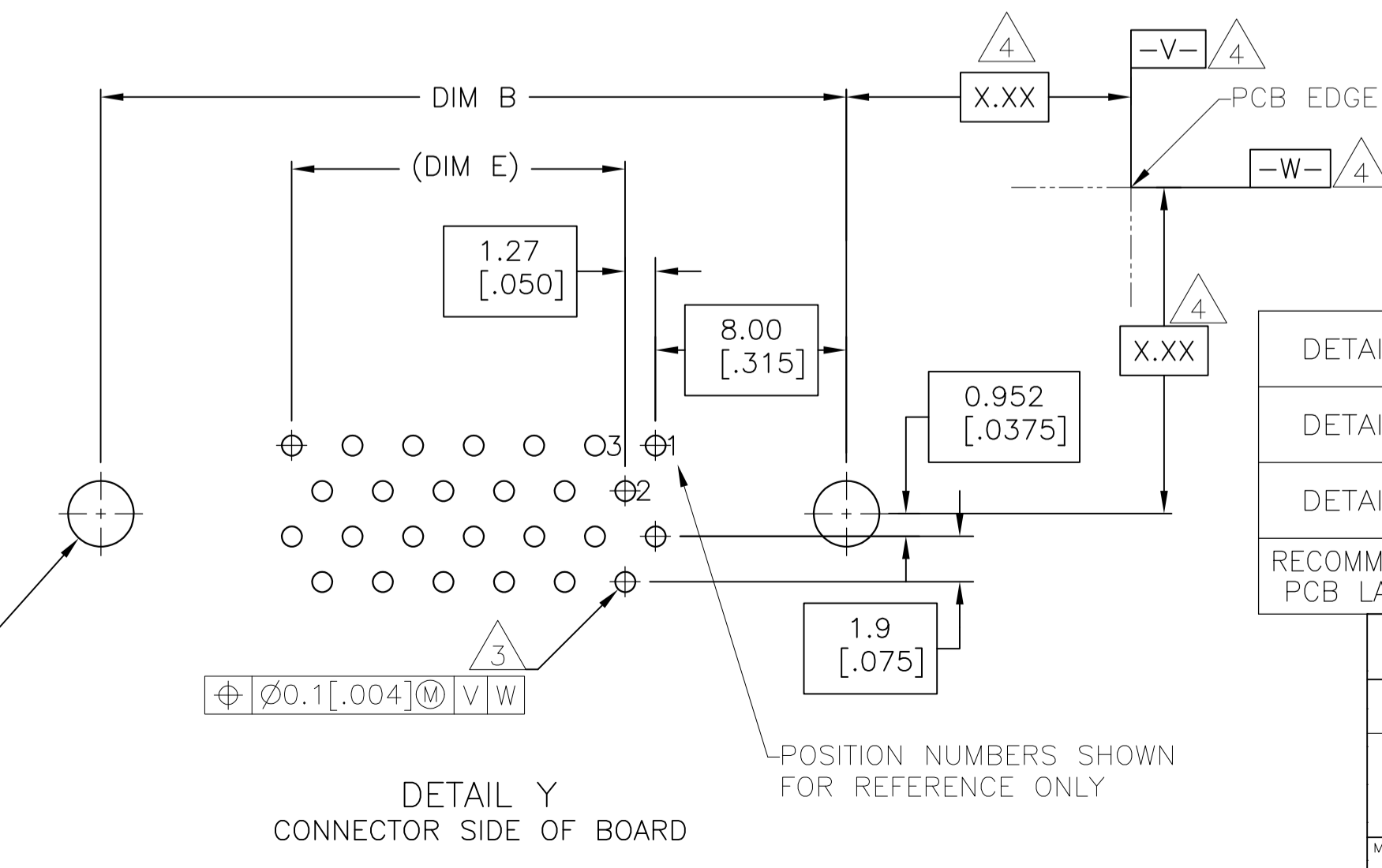
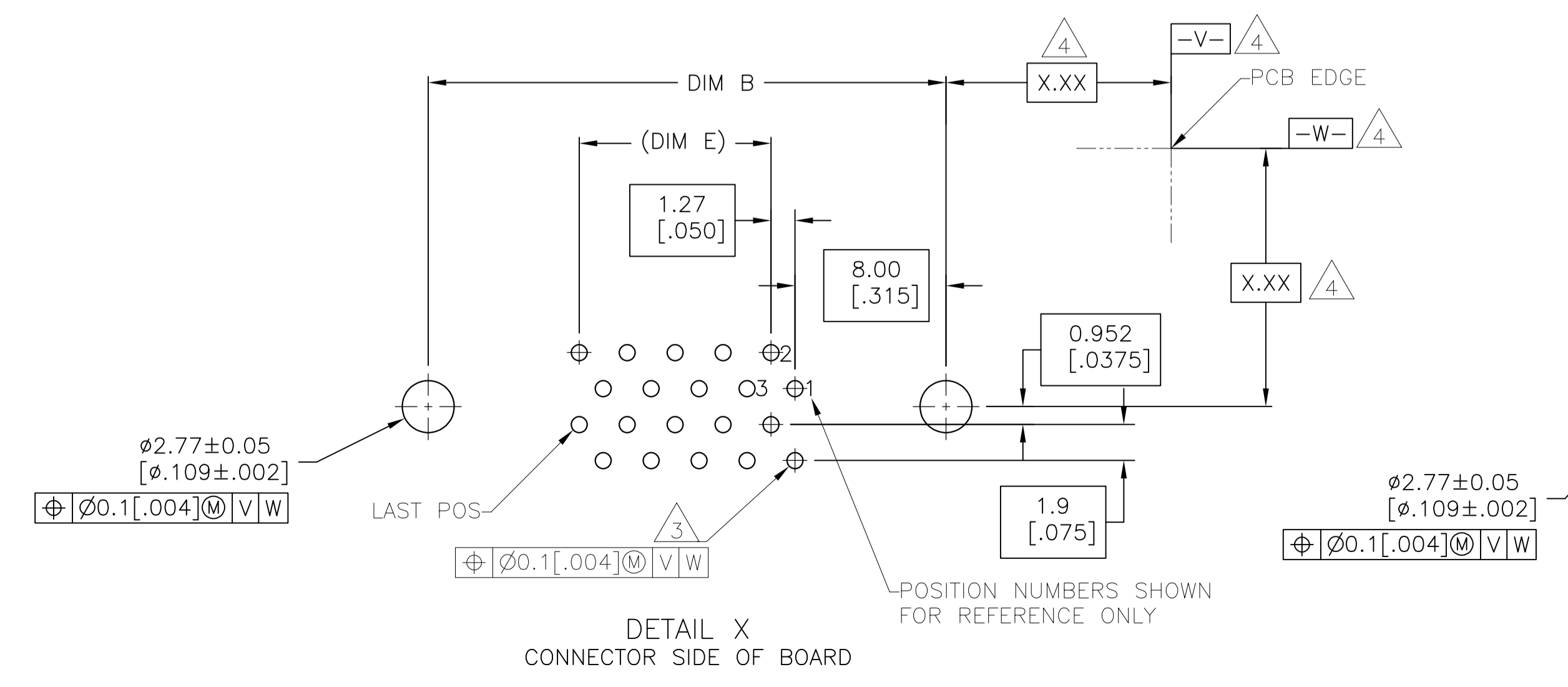
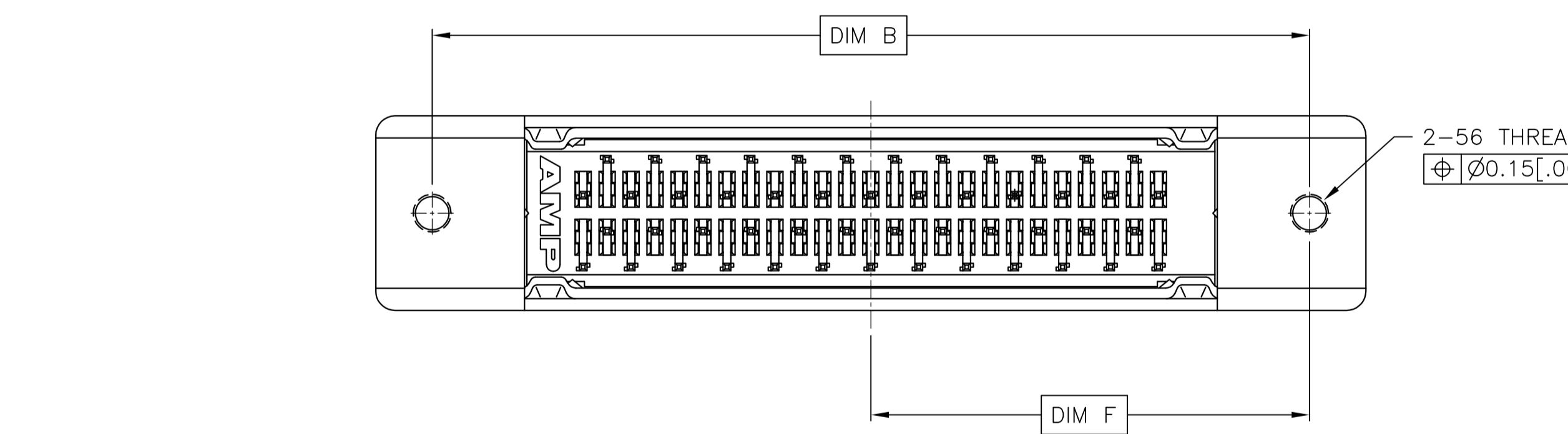
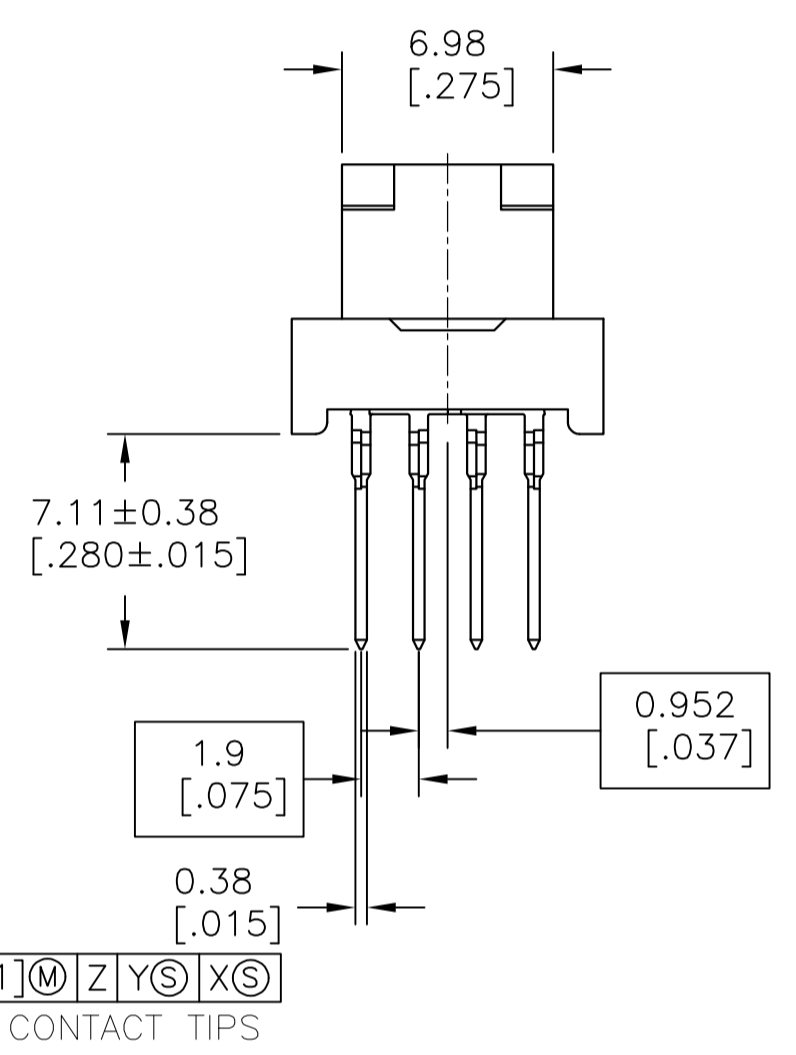
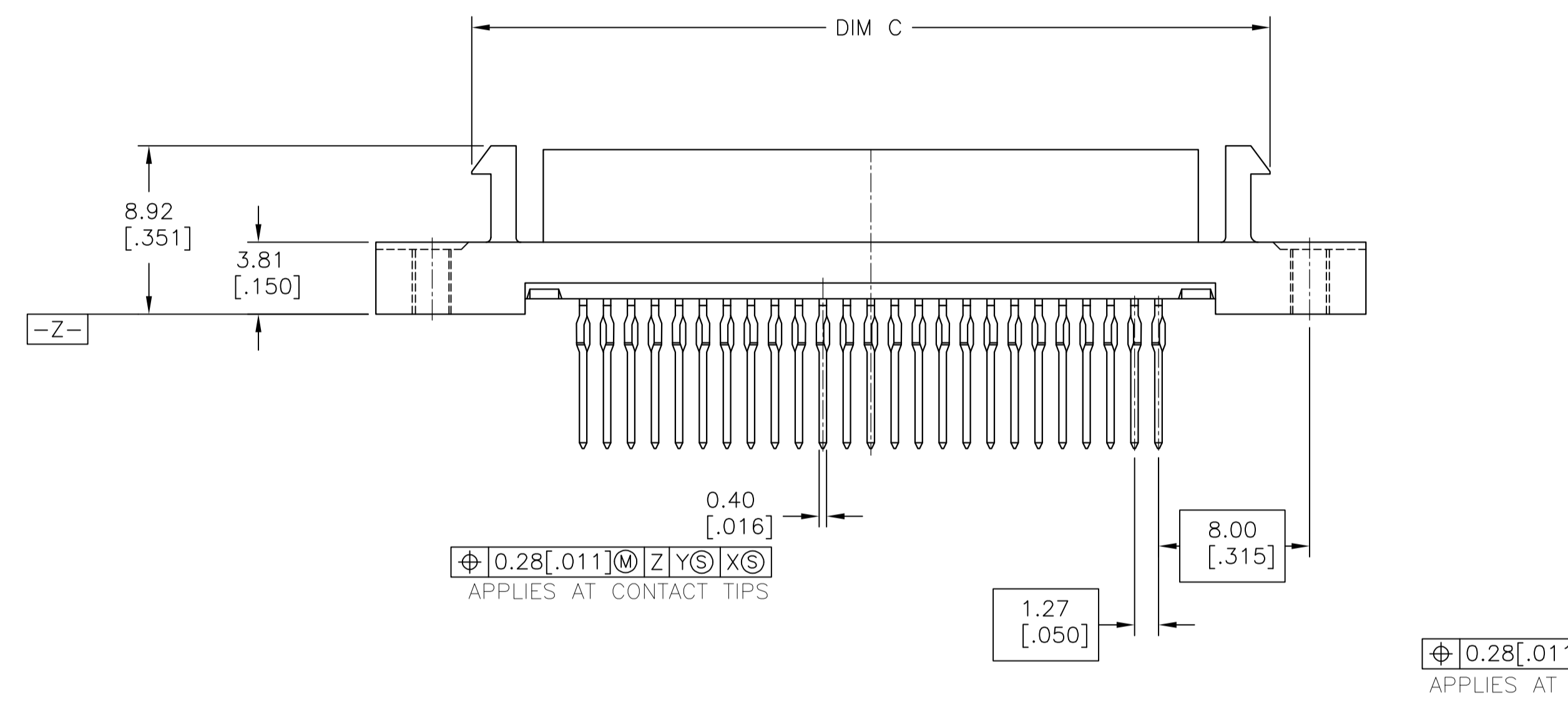
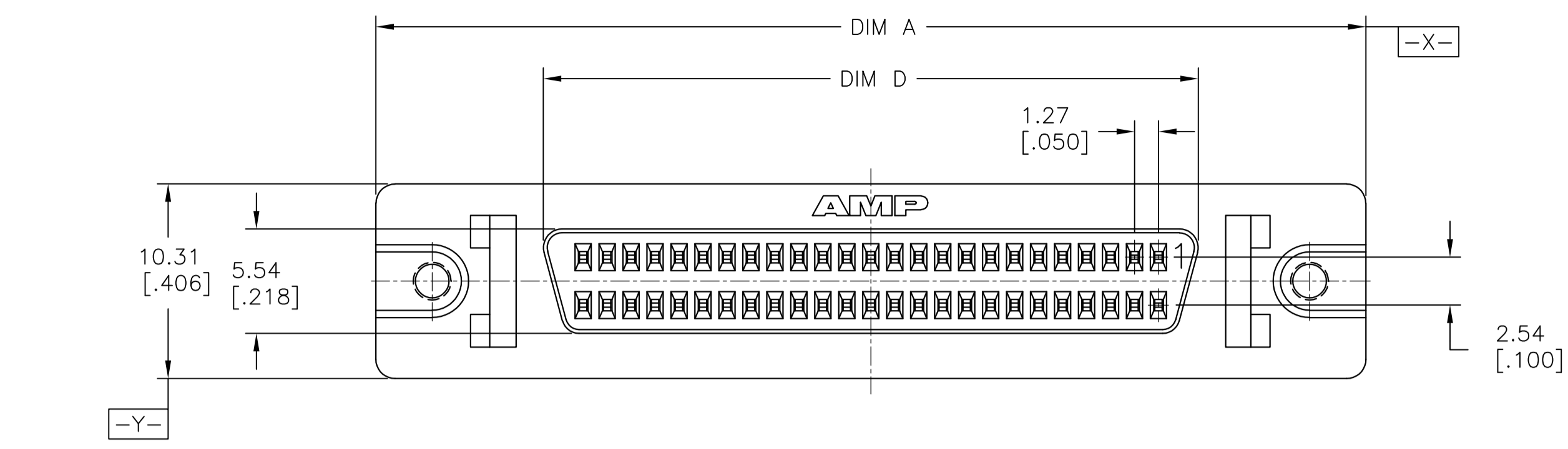


REVISONS		DATE	DMN	APVD
B	REV PER ECO-09-016358	22JUL2009	CR	SB
B1	REV PER ECO-09-027197	09DEC09	KK	AEG



- 1 MATERIAL:
HOUSING - POLYPHTHALAMIDE, UL 94V-0 RATED, BLACK.
BRACKET - ZINC.
SHELL - CARBON STEEL.
CONTACTS - PHOSPHOR BRONZE.
- 2 FINISH:
BRACKET - 0.00381 [.000150] MIN NICKEL OVER 0.00508 [.000200] MIN COPPER.
SHELL - 0.00508 [.000200] MIN NICKEL OVER 0.00127 [.000050] MIN COPPER.
CONTACTS - EITHER 0.0076 [.000030] MIN GOLD PLATE OR GOLD FLASH OVER PALLADIUM NICKEL PLATE, 0.0076 [.000030] MIN TOTAL ON MATING AREA, 0.00127 [.000050] MIN TIN ON TERMINATION AREA, ALL OVER 0.00127 [.000050] MIN NICKEL ON ENTIRE CONTACT.
- 3 PC BOARD HOLE RECOMMENDATIONS:
A. HOLES SHOULD BE DRILLED WITH A 0.701 [.0276] DRILL.
B. PC BOARD PLATING TO BE 0.00762 [.000300] MIN TIN OVER 0.025-0.038 [.0010-.015] COPPER.
C. RECOMMENDED HOLE SIZE AFTER PLATING IS 0.61±0.05 [.024±.002].
- 4 DATUMS AND BASIC DIMENSIONS TO BE DETERMINED BY CUSTOMER.
- 5 OBSOLETE PARTS: OBSOLETE CIS STREAMLINING PER D.RENAUD/D.SINISI

DETAIL X	39.12 [1.540]	62.23 [2.450]	66.45 [2.616]	74.04 [2.915]	78.23 [3.080]	84.20 [3.315]	100	5786162-9
DETAIL X	28.96 [1.140]	41.91 [1.650]	46.13 [1.816]	53.72 [2.115]	57.91 [2.280]	63.88 [2.515]	68	5786162-7
DETAIL Y	23.24 [.915]	30.48 [1.200]	34.70 [1.366]	42.29 [1.665]	46.48 [1.830]	52.45 [2.065]	50	5786162-5
RECOMMENDED PCB LAYOUT	DIM F	DIM E	DIM D	DIM C	DIM B	DIM A	NO OF POS	PART NUMBER

THIS DRAWING IS A CONTROLLED DOCUMENT.

DIMENSIONS: mm [INCHES]	TOLERANCES UNLESS OTHERWISE SPECIFIED:	0 PLC ± -	1 PLC ± -	2 PLC ± 0.13 [.005]	3 PLC ± -	4 PLC ± -	ANGLES ± -
-------------------------	--	-----------	-----------	---------------------	-----------	-----------	------------

MATERIAL: 1 FINISH: 2

APPROVED: J. GERACE 24NOV04
 CHK: S. SHUEY 24NOV04
 NAME: M. WALMSLEY 24NOV04

RECEPTACLE ASSEMBLY, VERTICAL, SHIELDED, 3.18[.125] TO 5.08[.200] PCB, ACTION PIN, 1.27[.050] SERIES AMPLIMITE

SIZE: A1
 CAGE CODE: 00779
 DRAWING NO: 5786162
 WEIGHT: -

CUSTOMER DRAWING SCALE: 4:1 SHEET: 1 of 1 REV: B1

单击下面可查看定价，库存，交付和生命周期等信息

[>>TE Connectivity\(泰科\)](#)