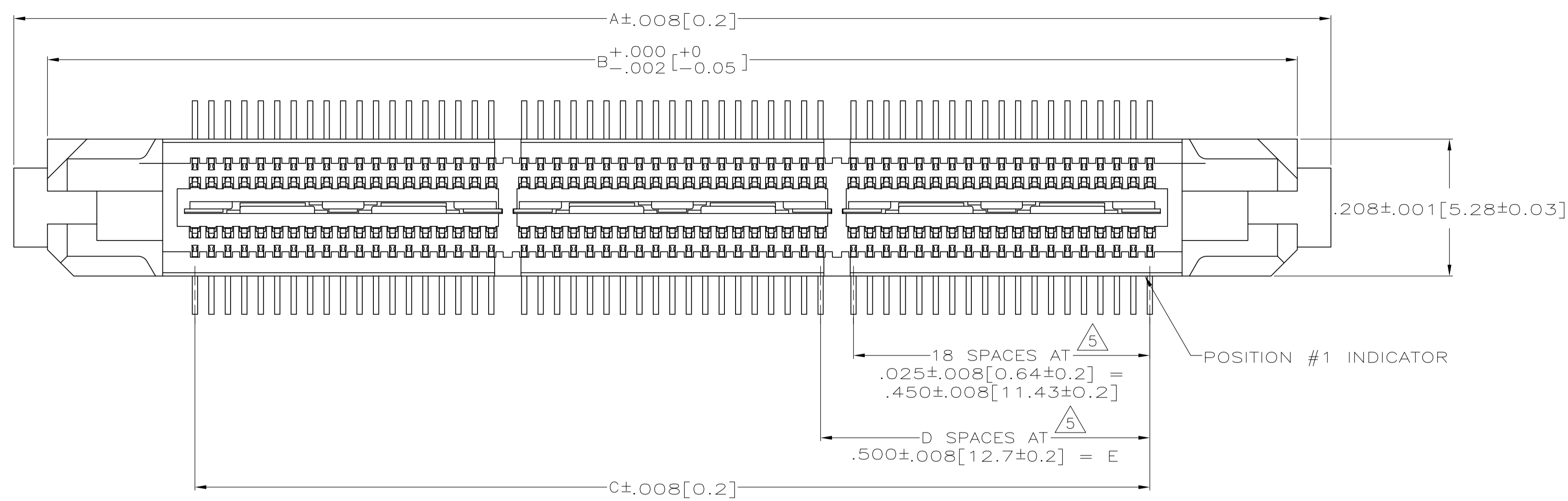
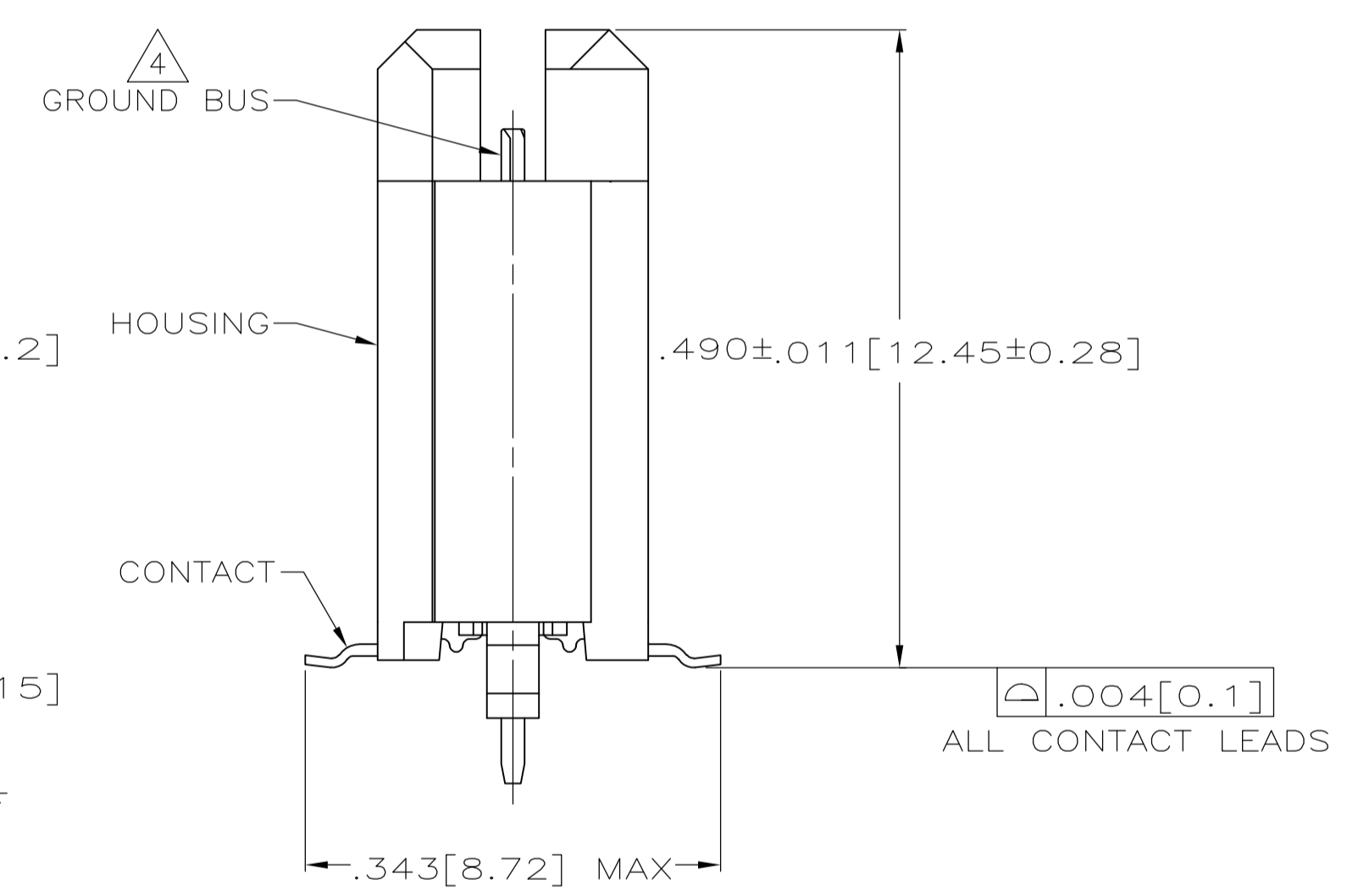
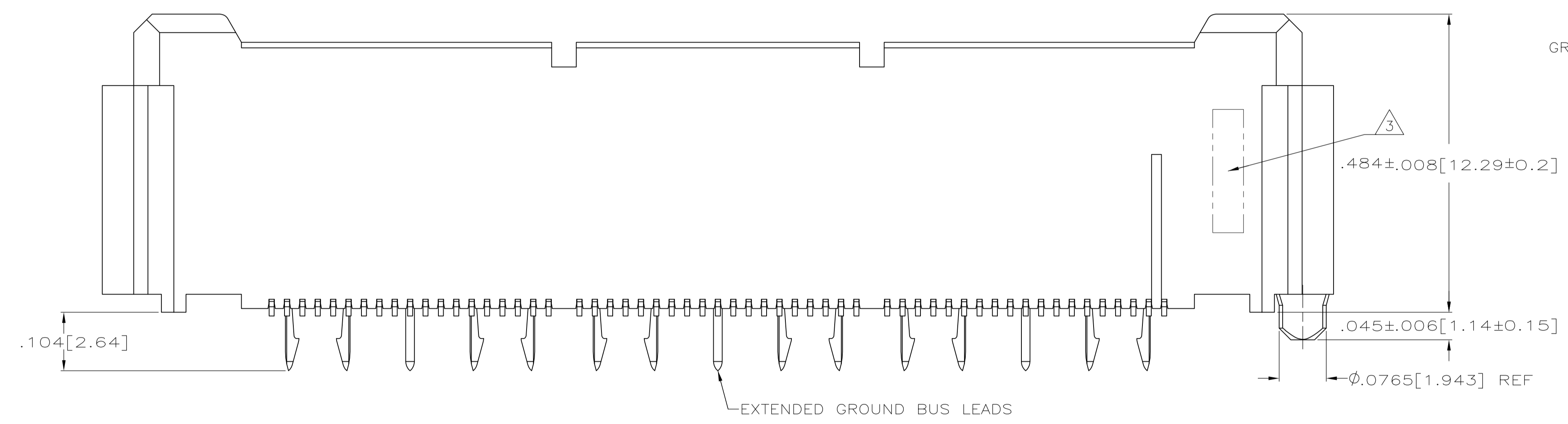


LOC		DIST		REVISIONS			
AD	47	REV	LTR	DESCRIPTION	DATE	DNW	APVD
A2		REVISED	PER	ECO-12-007590	19JUL12	KH	MH



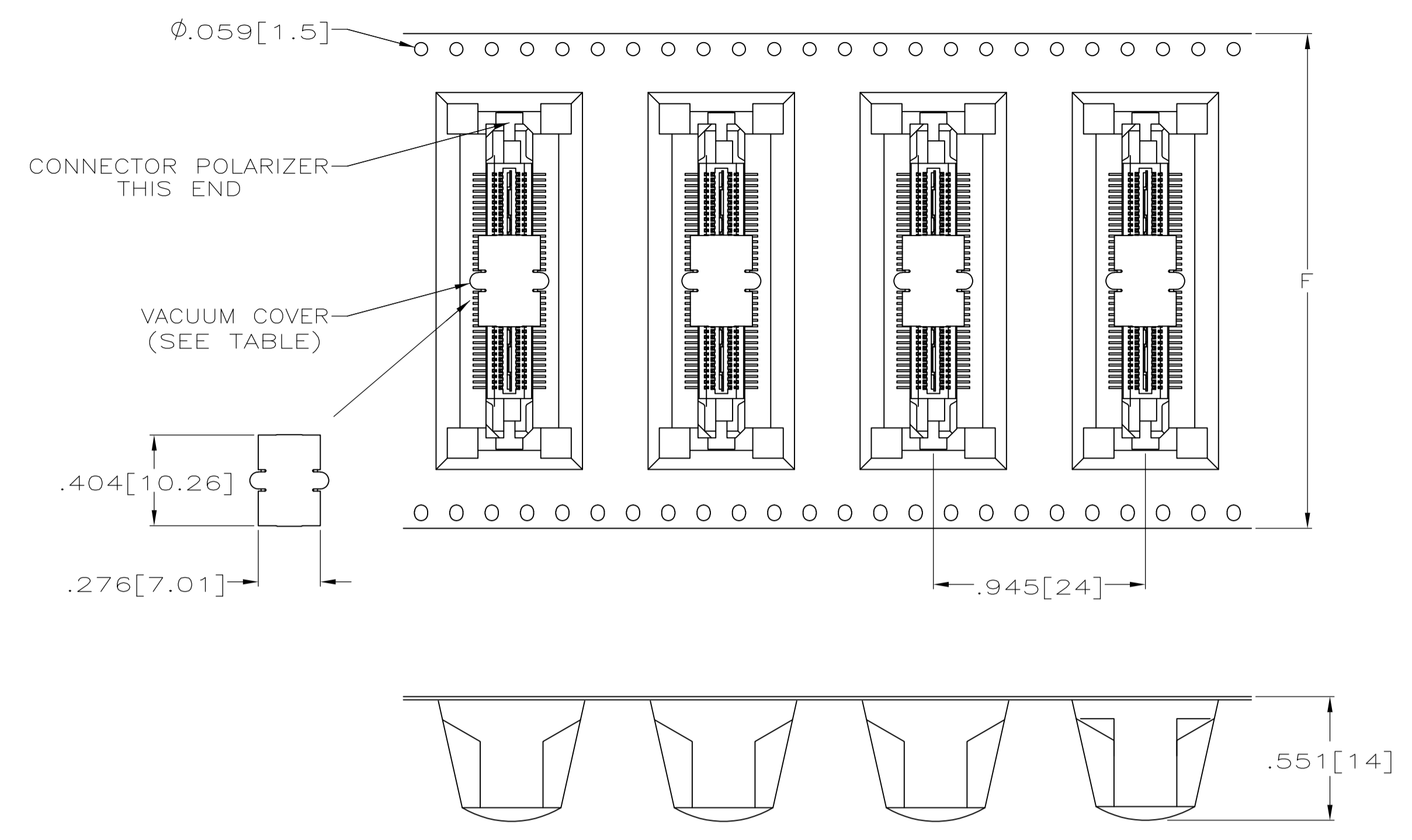
- 1 HOUSING: LIQUID CRYSTAL POLYMER, COLOR BLACK.
CONTACTS: HIGH RELIABILITY COPPER ALLOY.
GROUND BUSES: BRASS, UNS C26000
- 2 CONTACTS & GROUND BUSES: NICKEL UNDERPLATE ALL OVER,
MATING SURFACE PLATED TO MEET LEVEL 2 PERFORMANCE
REQUIREMENTS OF TE PRODUCT SPECIFICATION 108-1422,
SOLDER TAILS PLATED MATTE TIN.
- 3 DATE CODE MARKED IN AREA INDICATED ON SIDE OPPOSITE
POSITION #1.
- 4 ONE GROUND BUS WITH 5 TAILS PER EACH MODULE.
- 5 TOLERANCE NON-ACCUMULATIVE.
- 6 FOR STANDARD APPLICATIONS, ORIENTATION HOLE TO BE
 $\phi .094 \pm .002 [2.39 \pm 0.05]$.
FOR SLIP-FIT APPLICATIONS, ORIENTATION HOLE TO BE
 $\phi .079 \pm .001 [2.00 \pm 0.03]$.
- 7 CONNECTORS PACKAGED ON 13 INCH DIA REELS PER EIA 481.



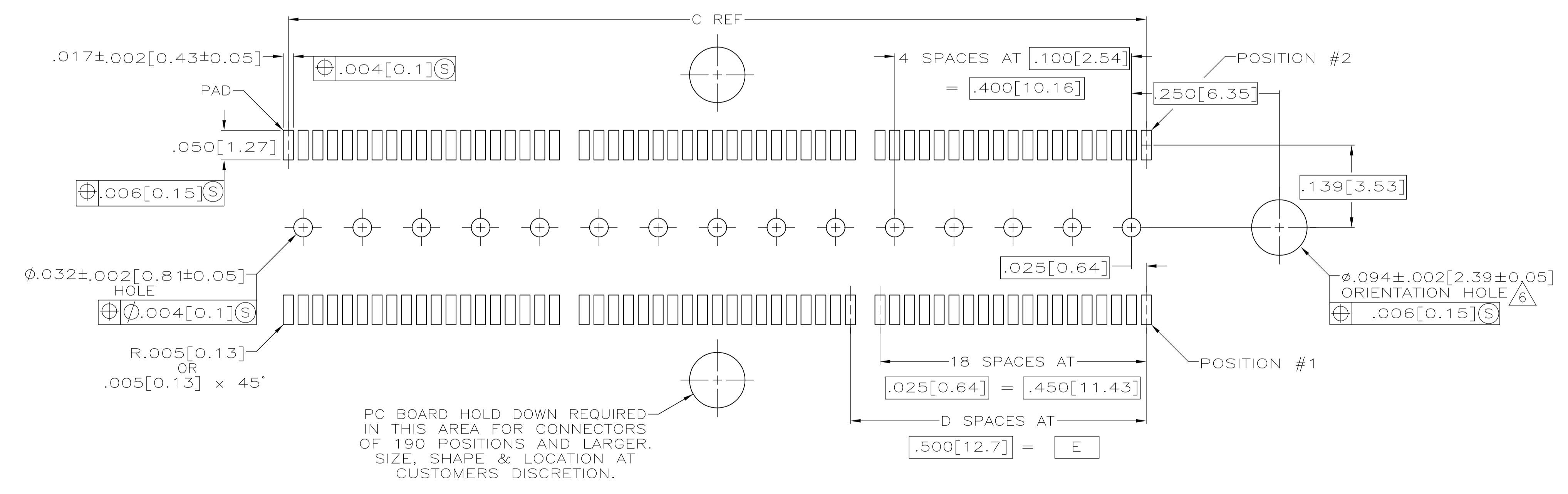
SEE SHEET 2 FOR RECOMMENDED PC BOARD LAYOUT AND PACKAGING DETAIL

NO	4.724 [120]	3.000 [76.2]	6	3.450 [87.63]	3.898 [99.01]	4.000 [101.6]	266	1-5767151-4
VACUUM COVER INCLUDED	F	E	D	C	B	A	NO OF POS	PART NUMBER

THIS DRAWING IS A CONTROLLED DOCUMENT.		DIN A FERNANDEZ 27 OCT 04		DIXON 27 OCT 04		DIXON 27 OCT 04		DIXON 27 OCT 04	
DIMENSIONS: INCHES		TOLERANCES UNLESS OTHERWISE SPECIFIED:		APVD D DIXON 27 OCT 04		NAME		TE Connectivity	
0 PLC ± -		1 PLC ± -		PRODUCT SPEC		PLUG ASSEMBLY, .495 [12.57] VERTICAL, .025 [0.64] CL, GULL WING LEADS, POCKET TAPE PACKAGED, MICTOR		108-1422	
2 PLC ± -		3 PLC ± -		APPLICATION SPEC		SIZE		CAGE CODE	
3 PLC ± -		4 PLC ± -		114-11004		DRAWING NO		DRAWING NO	
4 PLC ± -		ANGLES ± -		WEIGHT		A1 00779		C=5767151	
MATERIAL		FINISH		CUSTOMER DRAWING		SCALE		SHEET	
1		2		SCALE 8:1		SHEET 1 OF 2		REV A2	



PACKAGING DETAIL ∇
SCALE 2:1
DIMENSIONS ARE FOR REFERENCE



PC BOARD HOLD DOWN REQUIRED IN THIS AREA FOR CONNECTORS OF 190 POSITIONS AND LARGER. SIZE, SHAPE & LOCATION AT CUSTOMERS DISCRETION.

RECOMMENDED PC BOARD LAYOUT
(VIEWED FROM CONNECTOR SIDE)

THIS DRAWING IS A CONTROLLED DOCUMENT.		DFN: A. FERNANDEZ 27 OCT 04 CHK: D. DIXON 27 OCT 04 APVD: D. DIXON 27 OCT 04	TE Connectivity
DIMENSIONS: INCHES 	TOLERANCES UNLESS OTHERWISE SPECIFIED: 0. PLC ± - 1. PLC ± - 2. PLC ± - 3. PLC ± .005(0.13) 4. PLC ANGLES ± ± -	NAME: PLUG ASSEMBLY, .495[12.57] VERTICAL, .025[0.64]CL, GULL WING LEADS, POCKET TAPE PACKAGED, MICTOR	PRODUCT SPEC: 108-1422 APPLICATION SPEC: 114-11004
MATERIAL: -	FINISH: -	SIZE: A1 CAGE CODE: 00779 DRAWING NO: 5767151 WEIGHT: -	RESTRICTED TO: - CUSTOMER DRAWING SCALE: 8:1 SHEET: 2 OF 2 REV: A2

单击下面可查看定价，库存，交付和生命周期等信息

[>>TE Connectivity\(泰科\)](#)