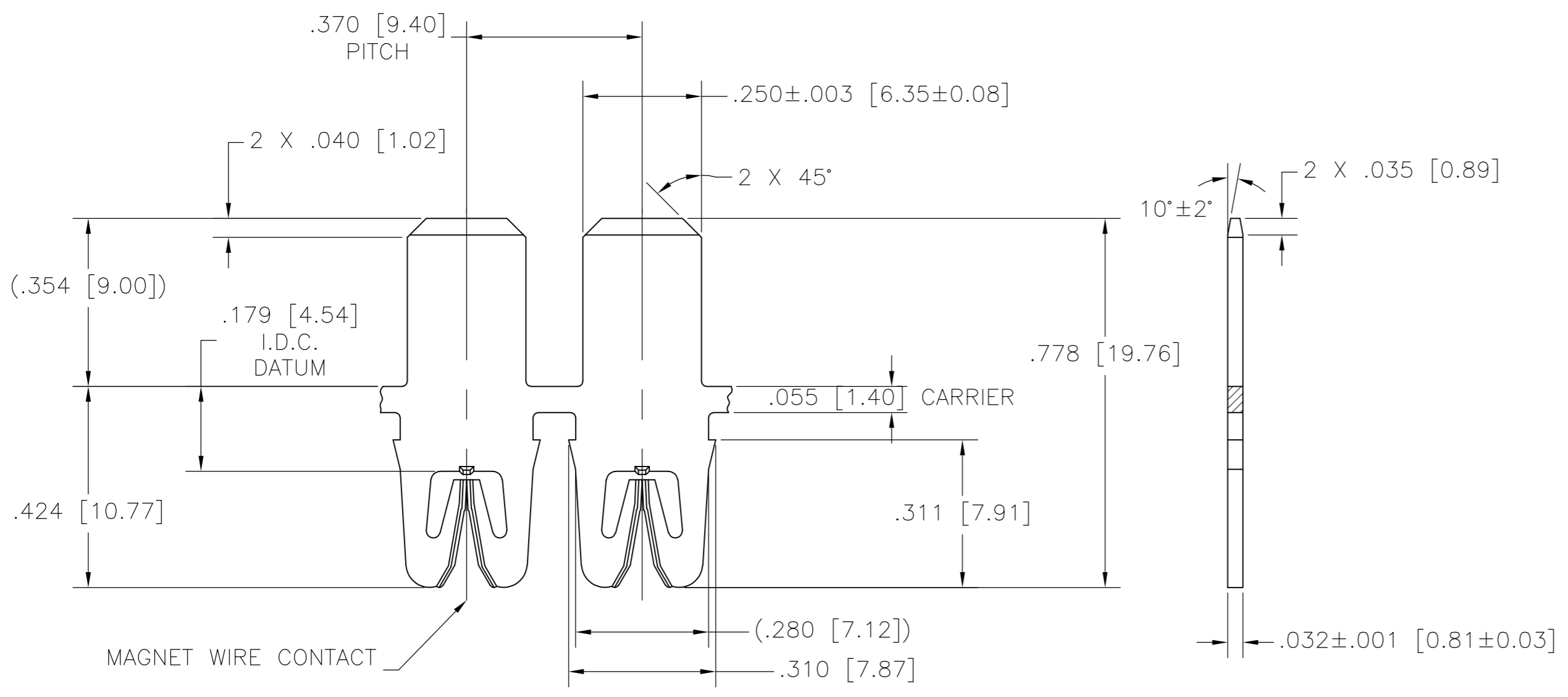
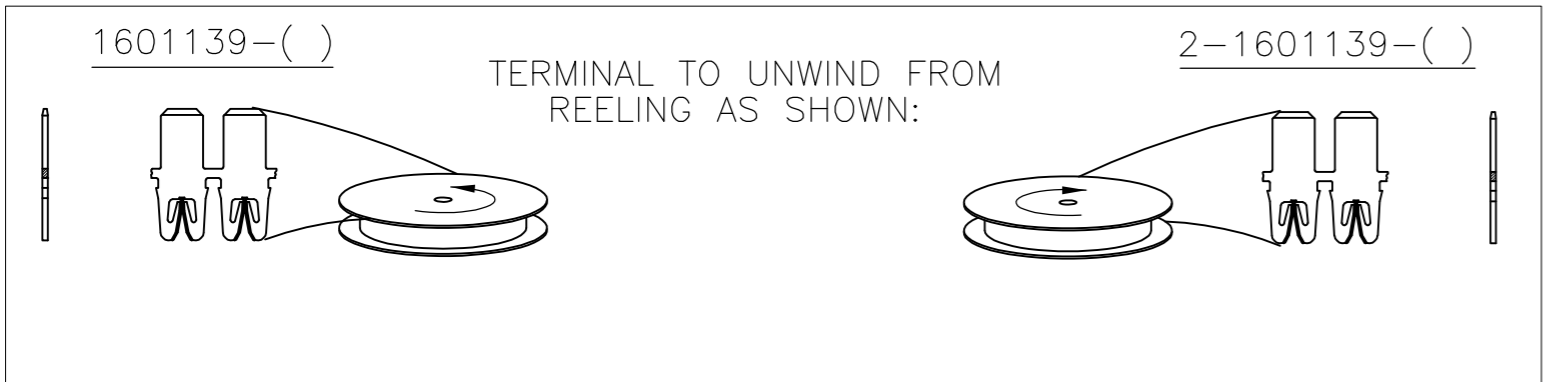
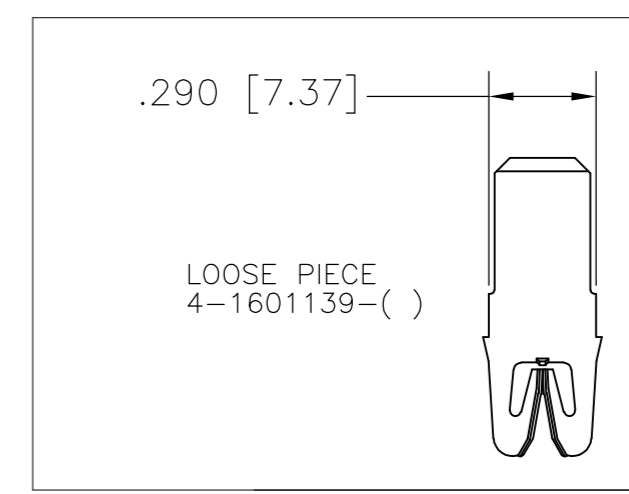


THIS DRAWING IS UNPUBLISHED. RELEASED FOR PUBLICATION  
 © COPYRIGHT BY TYCO ELECTRONICS CORPORATION. ALL RIGHTS RESERVED.

LOC	DIST	REVISIONS			
P	LTR	DESCRIPTION	DATE	DWN	APVD
AF	50	F1	REVISED PER ECR-07-029275	10DEC07	HMR GJ



- 1 SPECIFICATIONS:  
MAGNET WIRE #12 - #23 AWG,  
2.06mm (.081")-0.56mm (.022") DIA COPPER.  
OTHER SIZES MAY BE ACCOMMODATED,  
CONSULT TYCO ELECTRONICS FOR APPROVAL.
- 2 POCKET RECOMMENDATION: #1601438
- 3 TERMINAL APPLICATION TO COMPLY WITH TYCO ELECTRONICS  
SPECIFICATION 114-13210 FIGURE 4.
- 4 PRELIMINARY - NOT FOR PRODUCTION.



FINISH	MATERIAL	PART NUMBER
UNPLATED	1/2 HARD COPPER ALLOY	2-1601139-3
PRE-TIN PLATE	SPRING HARD BRASS	2-1601139-2
UNPLATED	SPRING HARD BRASS	2-1601139-1
PRE-TIN PLATE	SPRING HARD BRASS	1601139-2
UNPLATED	SPRING HARD BRASS	1601139-1

THIS DRAWING IS A CONTROLLED DOCUMENT.		DWN J.WELLER 22FEB2002	Tyco Electronics Corporation Harrisburg, PA 17105-3608	
DIMENSIONS: INCHES	TOLERANCES UNLESS OTHERWISE SPECIFIED:	CHK M.FEHER 25FEB02	NAME	
	0 PLC ± -	APVD G. JACONO 25FEB02	PRODUCT SPEC	
	1 PLC ± -	APPLICATION SPEC		
MATERIAL SEE TABLE	FINISH SEE TABLE	108-2239		
		SIZE 3		
WEIGHT -		CAGE CODE A2 00779	DRAWING NO C=1601139	RESTRICTED TO -
CUSTOMER DRAWING		SCALE 4:1	SHEET 1 OF 1	REV F1

单击下面可查看定价，库存，交付和生命周期等信息

[>>TE Connectivity\(泰科\)](#)