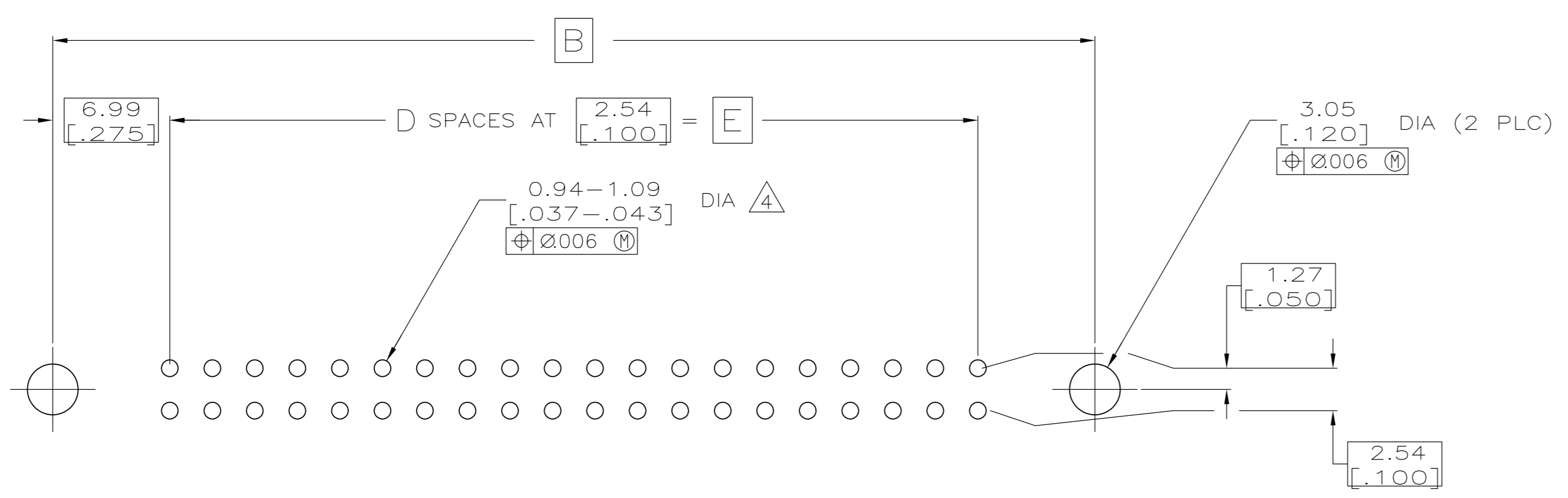
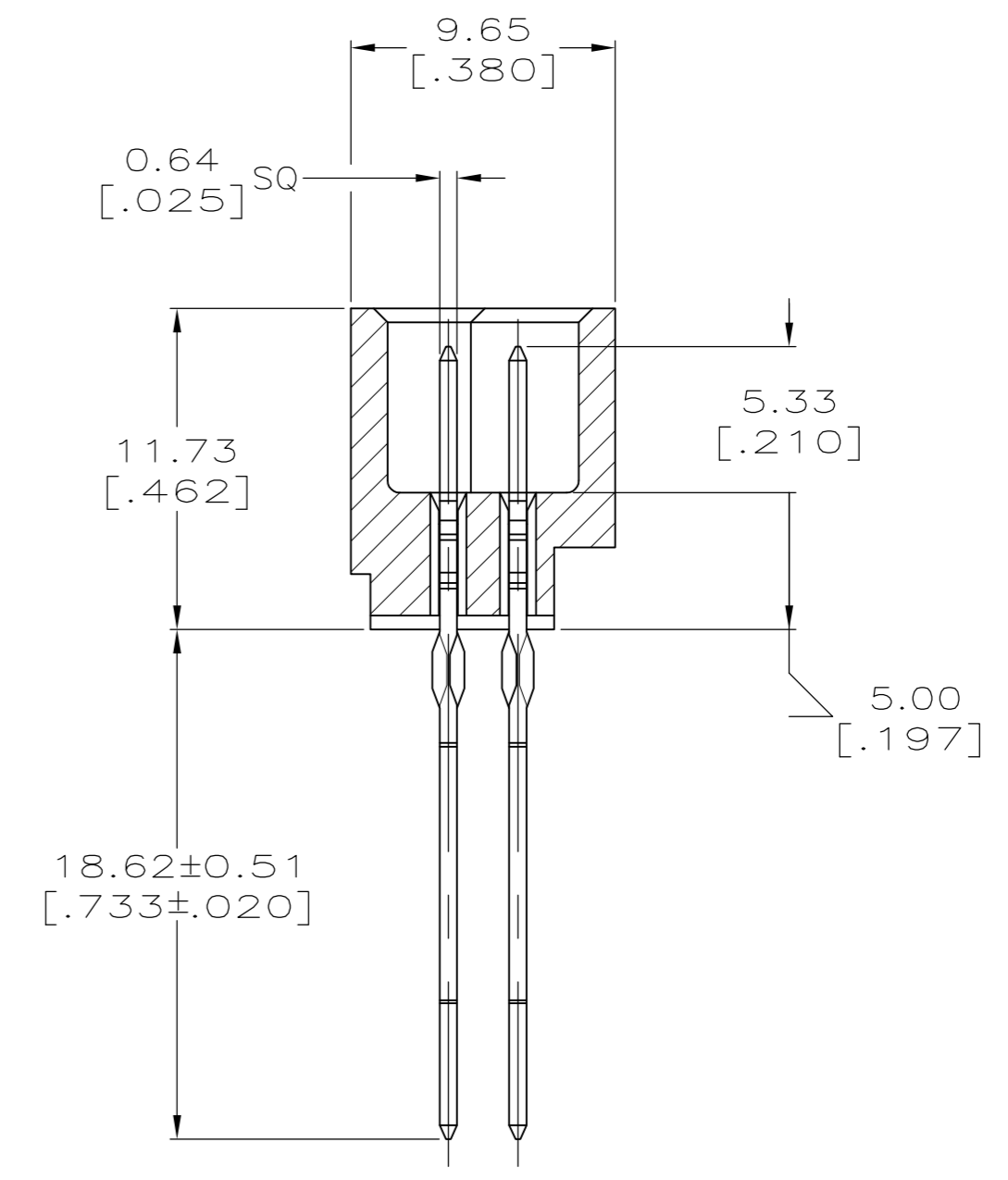
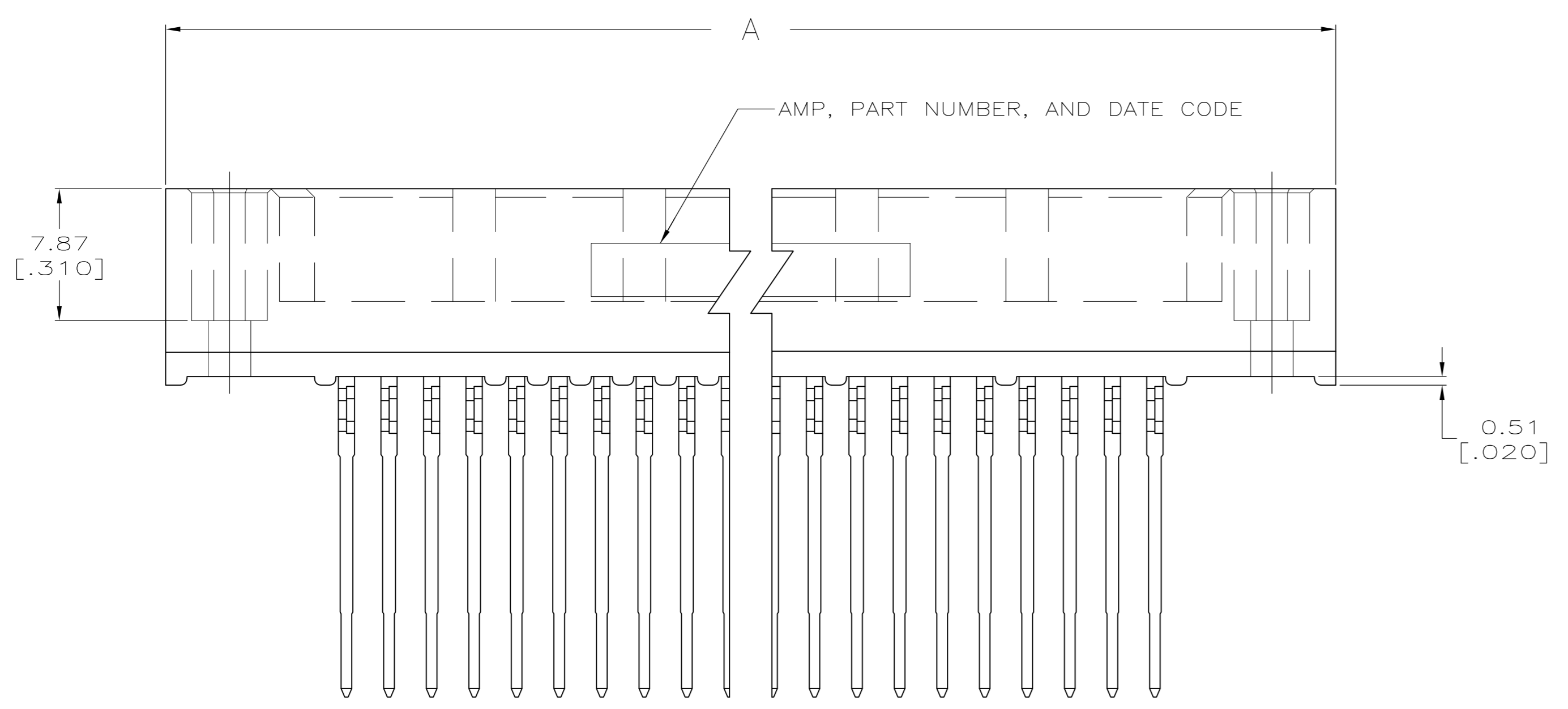
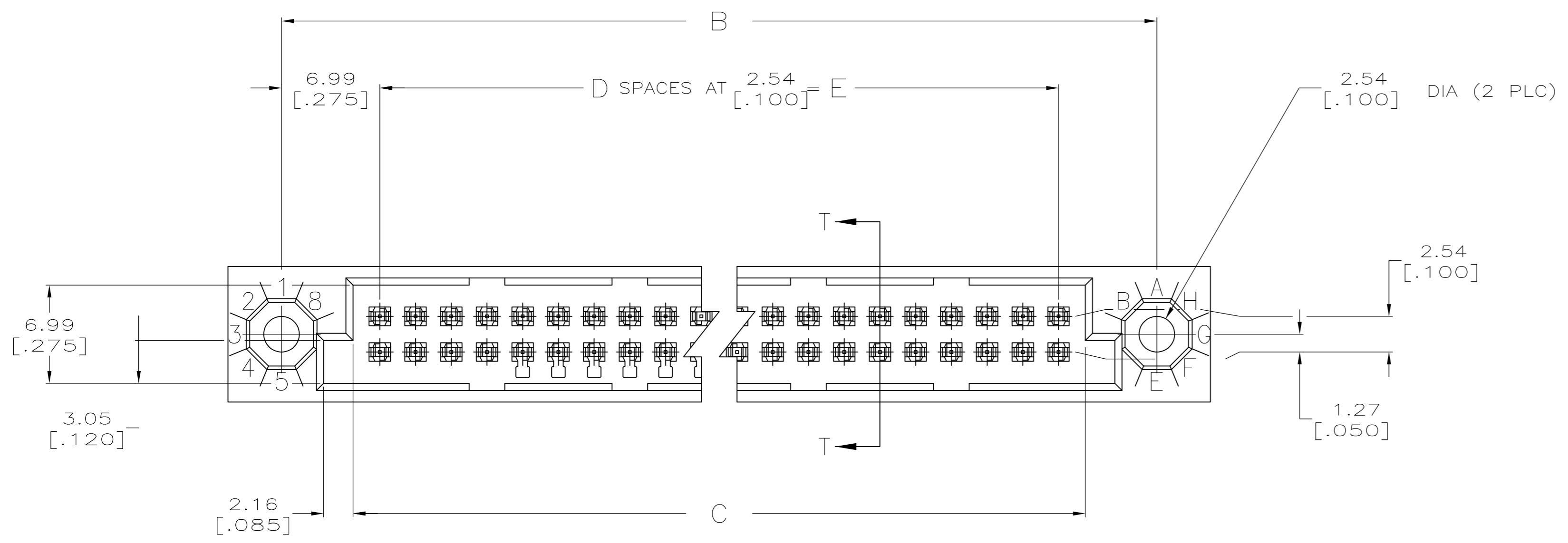


| REVISIONS | | | | | |
|-----------|-----|---------------------------|-----------|-----|------|
| P | LTR | DESCRIPTION | DATE | DWN | APVD |
| J | | REVISED PER ECO-15-015252 | 11NOV2015 | BJ | FY |
| J1 | | REVISED PER ECO-16-003656 | 10MAR2016 | B.J | S.Y |



RECOMMENDED P.C. BOARD LAYOUT

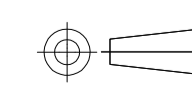
| | | | | | |
|---|--|-----------------------------|---|------------------|--------------------|
| THIS DRAWING IS A CONTROLLED DOCUMENT. | | DWN: R.K. SEIFRIED 03/23/90 | TE Connectivity | | |
| DIMENSIONS: INCHES | | CHK: F. KIBLER 8-17-92 | | | |
| 0 PLC ± - 1 PLC ± - 2 PLC ± - 3 PLC ± 0.13 [.005] 4 PLC ± - ANGLES ± - | | APVD: DAVE HOFFMAN 8-17-92 | NAME: HDI, 2 ROW, PIN ASSEMBLY, 18.62 [.733] LONG ACTION PINS | | |
| MATERIAL: | | FINISH: | SIZE: A1 | CAGE CODE: 00779 | DRAWING NO: 532429 |
| CUSTOMER DRAWING | | SCALE: 4:1 | SHEET: 1 of 2 | REV: J1 | RESTRICTED TO: - |


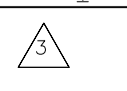
| REVISIONS | | | | | |
|-----------|-----|-------------|------|-----|------|
| P | LTR | DESCRIPTION | DATE | DNW | APVO |
| - | | SEE SHEET 1 | - | - | - |

- ① HOUSING MATERIAL: THERMOPLASTIC, COLOR-NATURAL.
- ② CONTACT MATERIAL: PHOSPHOR BRONZE.
- ③ FINISH:
MATING AREA: MEETS THE PERFORMANCE REQUIREMENTS OF PRODUCT SPECIFICATION 108-9063; BASED ON TELCORDIA DR-1217-CORE APPLICATIONS IN UNCONTROLLED ENVIRONMENTS.
TIN-LEAD PLATED POSTS.
- ④ ACTION PIN POSTS REQUIRE 2.36 [.093] MIN THICK P.C. BOARD. RECOMMENDED P.C. BOARD HOLES ARE 1.151 [.0453] DIA PLATED THRU WITH 0.025-0.076 [.001-.003] COPPER, WITH 0.0076 [.0003] MIN TIN-LEAD PLATING; FINISHED HOLE AFTER PLATING 0.94-1.09 [.037-.043] DIA.
- 5. DIMENSIONS IN BRACKETS ARE IN INCHES.
- ⑥ PART NUMBER IS OBSOLETE.

| | | | | | | | |
|---|-------------------|---------------|-------------------|-------------------|-------------------|----------------|-------------|
| ⑥ | | | | | | | 1-532429-9 |
| ⑥ | | | | | | | 1-532429-8 |
| ⑥ | | | | | | | 1-532429-7 |
| ⑥ | | | | | | | 1-532429-6 |
| ⑥ | | | | | | | 1-532429-5 |
| | 187.96 [7.400] | 74 | 191.77 [7.550] | 201.93 [7.950] | 209.55 [8.250] | 150 | 1-532429-4 |
| ⑥ | 175.26 [6.900] | 69 | 179.07 [7.050] | 189.23 [7.450] | 196.85 [7.750] | 140 | 1-532429-3 |
| ⑥ | | | | | | | 1-532429-2 |
| ⑥ | | | | | | | 1-532429-1 |
| ⑥ | | | | | | | 1-532429-0 |
| ⑥ | | | | | | | 532429-9 |
| ⑥ | | | | | | | 532429-8 |
| ⑥ | | | | | | | 532429-7 |
| ⑥ | 86.36 [3.400] | 34 | 90.17 [3.550] | 100.33 [3.950] | 107.95 [4.250] | 70 | 532429-6 |
| | 73.66 [2.900] | 29 | 77.47 [3.050] | 87.63 [3.450] | 95.25 [3.750] | 60 | 532429-5 |
| ⑥ | | | | | | | 532429-4 |
| ⑥ | | | | | | | 532429-3 |
| ⑥ | | | | | | | 532429-2 |
| ⑥ | | | | | | | 532429-1 |
| | E | D | C | B | A | POSN | PART NUMBER |

THIS DRAWING IS A CONTROLLED DOCUMENT.

| | | | |
|--|---|---|---|
| DIMENSIONS: INCHES  | TOLERANCES UNLESS OTHERWISE SPECIFIED: 0 PLC ± - 1 PLC ± - 2 PLC ± - 3 PLC ± 0.13 [.005] 4 PLC ± - ANGLES ± - | DWG: R. K. SEIFRIED 8-17-92 CHK: F. KIBLER 8-17-92 APVD: DAVE HOFFMAN 8-17-92 PRODUCT SPEC APPLICATION SPEC | NAME: HDI, 2 ROW, PIN ASSEMBLY, 18.62 [.733] LONG ACTION PINS SIZE: A1 CAGE CODE: 00779 DRAWING NO: 532429 RESTRICTED TO: - |
|--|---|---|---|

MATERIAL:  FINISH: 

CUSTOMER DRAWING SCALE: 4:1 SHEET 2 OF 2 REV J1

单击下面可查看定价，库存，交付和生命周期等信息

[>>TE Connectivity\(泰科\)](#)