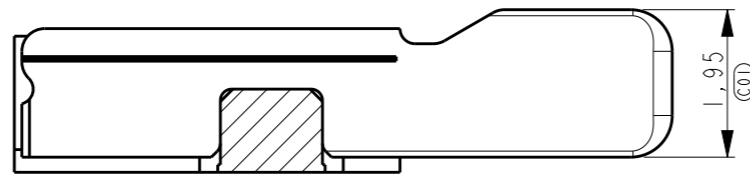
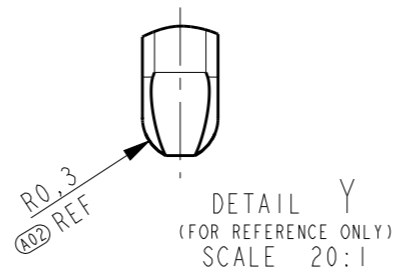


LOC	DIST	REVISIONS					
		P	LTR	DESCRIPTION	DATE	DWN	APVD
H	-		J1	ECO-18-012432	31AUG2018	K.G	W.H

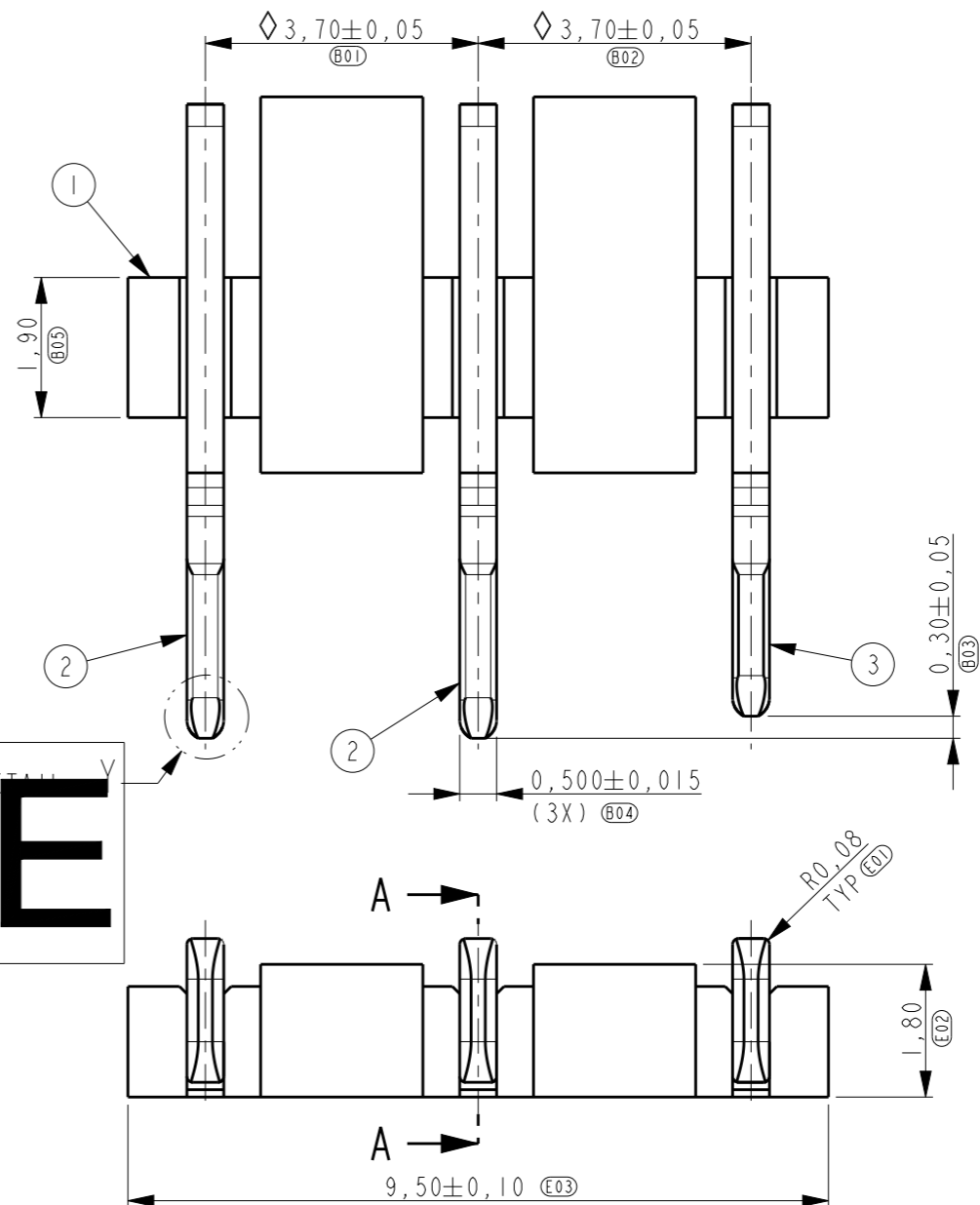
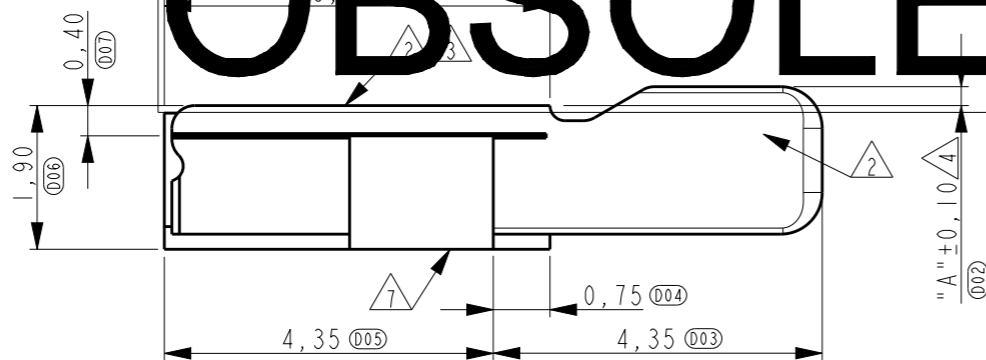
NOTES:

- 1 DRAWING REPRESENTS PART VERSION "A6".  
TE PN 2-1857269-2.
- 2 PLATING:  
1,2µm MIN. NICKEL ALL OVER  
0,8µm MIN. GOLD ON CONTACT AREA  
0,05 - 0,2µm GOLD ON SOLDER AREA
- 3 COPLANARITY OF SOLDER SURFACES 0,08 MAX.
- 4 DIMENSION DEPENDS ON DISTANCE BETWEEN  
PWB AND BATTERY, SEE TABLE ON SHEET 5.
- 5 MARKING: VERSION, PROCESS ID (##),  
PRODUCTION DATE (YWW, YEAR AND WEEK).
- 6 MARKING: CAVITY ID.
- 7 PICK&PLACE AREA.

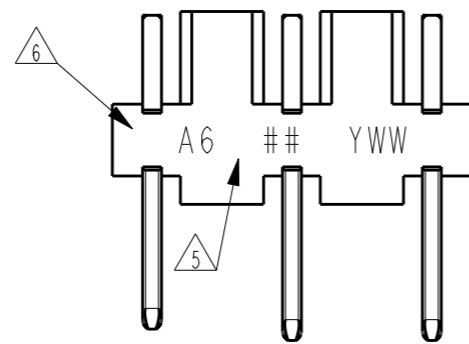
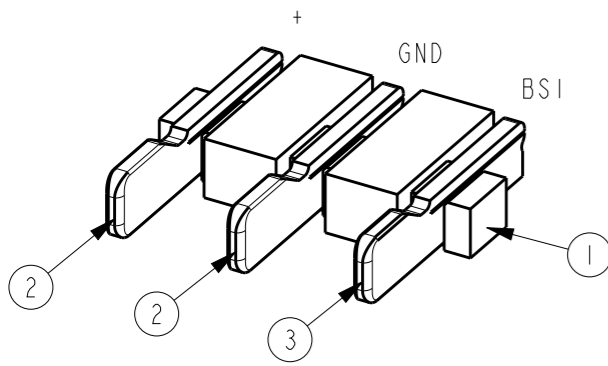


SECTION A-A

**OBSOLETE**



ITEM NO.	DESCRIPTION	MATERIAL	FINISH
3	CONTACT, FIRST BREAK	COPPER ALLOY	GOLD PLATED
2	CONTACT, LAST BREAK	COPPER ALLOY	GOLD PLATED
1	HOUSING	PLASTIC, GF	-



SCALE 5:1

THIS DRAWING IS A CONTROLLED DOCUMENT.

DIMENSIONS:	TOLERANCES UNLESS OTHERWISE SPECIFIED:
mm	0 PLC ±-
	1 PLC ±0,2
	2 PLC ±0,1
	3 PLC ±-
	4 PLC ±-
	ANGLES ±-

MATERIAL - FINISH -

DWN 16 AUG 2005

CHK J. Tuin 16 AUG 2005

APVD J. Tuin 16 AUG 2005

D. Halberstadt

PRODUCT SPEC

108-19276

APPLICATION SPEC

WEIGHT -

Customer Drawing



NAME  
PLUG CONNECTOR  
EDGE-TYPE, 3 POSITION  
BATTERY BLOCK

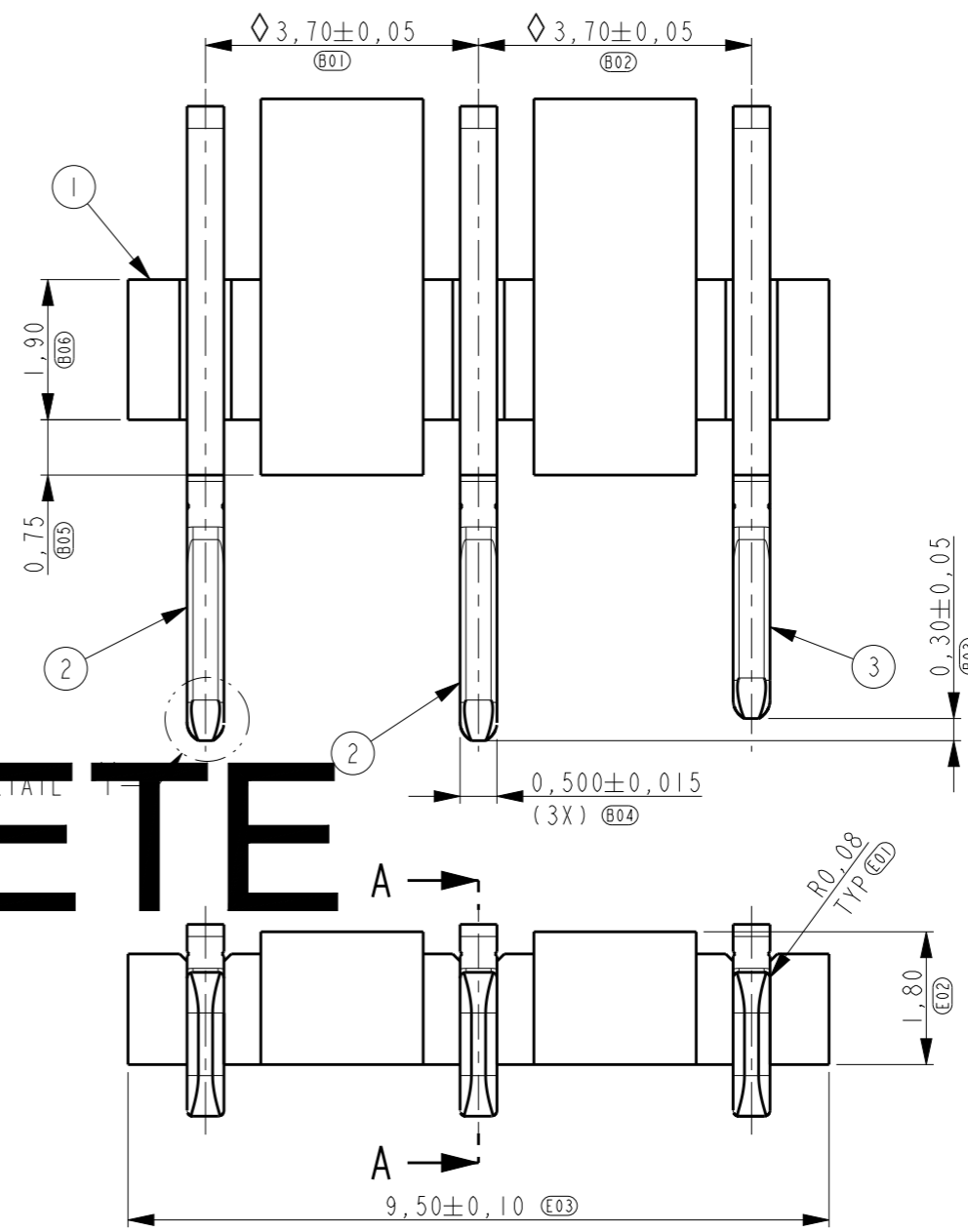
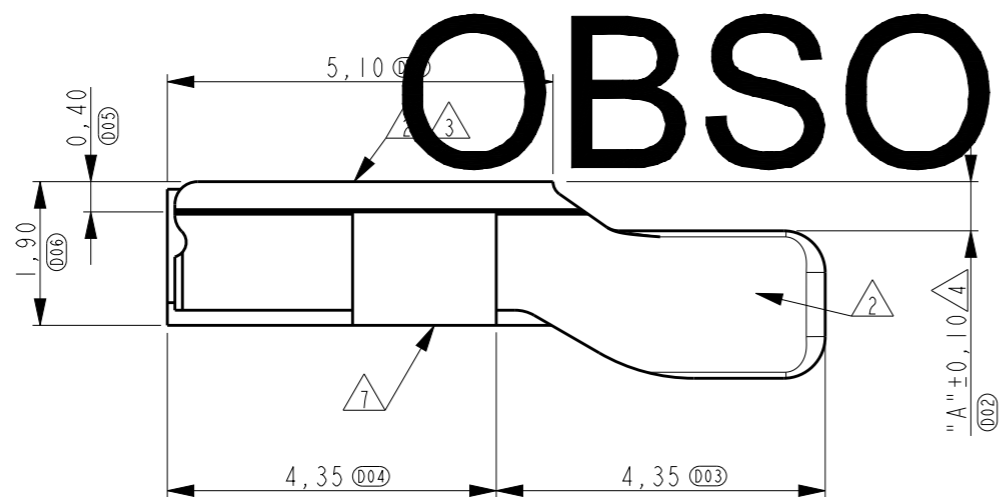
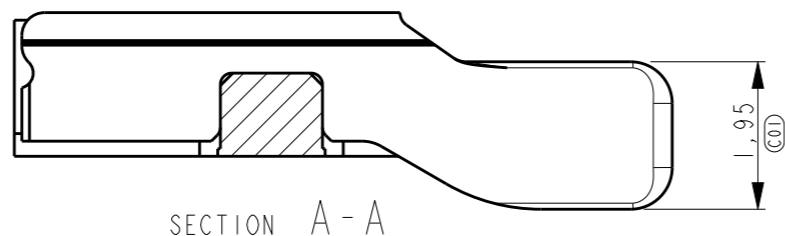
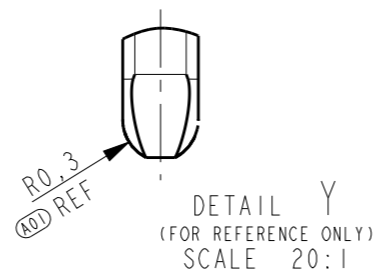
SIZE A3 CAGE CODE 00779 DRAWING NO C=1857269 RESTRICTED TO -

SCALE 0:1 SHEET 1 OF 7 REV J1

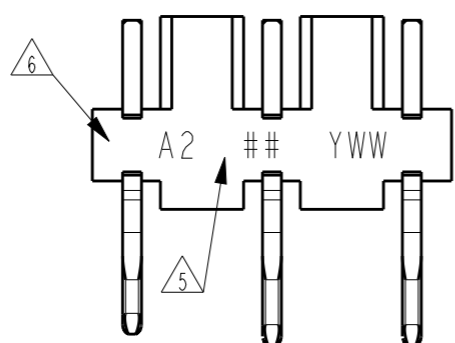
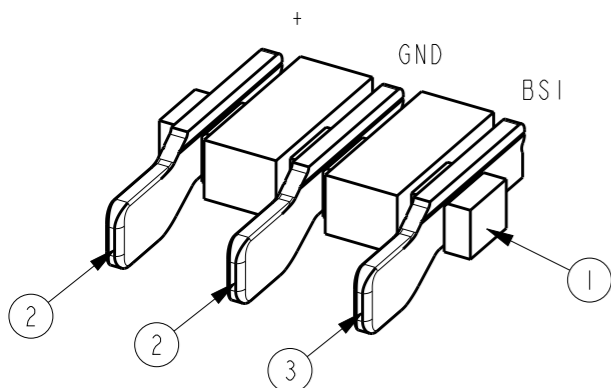
THIS DRAWING IS UNPUBLISHED. RELEASED FOR PUBLICATION  
 © COPYRIGHT - Tyco Electronics AMP GmbH ALL RIGHTS RESERVED.

LOC	DIST	REVISIONS			
P	LTR	DESCRIPTION	DATE	DWN	APVD
H	-	SEE SHEET 1	-	-	-

- NOTES:
- 1 DRAWING REPRESENTS PART VERSION "A2".  
TE PN 3-1857269-1.
  - 2 PLATING:  
1,2µm MIN. NICKEL ALL OVER  
0,8µm MIN. GOLD ON CONTACT AREA  
0,05 - 0,2µm GOLD ON SOLDER AREA
  - 3 COPLANARITY OF SOLDER SURFACES 0,08 MAX.
  - 4 DIMENSION DEPENDS ON DISTANCE BETWEEN  
PWB AND BATTERY, SEE TABLE ON SHEET 5.
  - 5 MARKING: VERSION, PROCESS ID (##),  
PRODUCTION DATE (YWW, YEAR AND WEEK).
  - 6 MARKING: CAVITY ID.
  - 7 PICK&PLACE AREA.



**OBSOLETE**



SCALE 5:1

ITEM NO.	DESCRIPTION	MATERIAL	FINISH
3	CONTACT, FIRST BREAK	COPPER ALLOY	GOLD PLATED
2	CONTACT, LAST BREAK	COPPER ALLOY	GOLD PLATED
1	HOUSING	PLASTIC, GF	-

THIS DRAWING IS A CONTROLLED DOCUMENT.

DIMENSIONS:	TOLERANCES UNLESS OTHERWISE SPECIFIED:
mm	0 PLC ±-
	1 PLC ±0,2
	2 PLC ±0,1
	3 PLC ±-
	4 PLC ±-
	ANGLES ±-

MATERIAL - FINISH -

DWN	20 MAR 2008
P. Willems	
CHK	20 MAR 2008
P. Willems	
APVD	20 MAR 2008
D. Halberstadt	
PRODUCT SPEC	108-19276
APPLICATION SPEC	-
WEIGHT	-

**STE** TE Connectivity

NAME: PLUG CONNECTOR  
EDGE-TYPE, 3 POSITION  
BATTERY BLOCK

SIZE	CAGE CODE	DRAWING NO	RESTRICTED TO
A3	00779	C=1857269	-

Customer Drawing SCALE 10:1 SHEET 2 OF 7 REV JI

THIS DRAWING IS UNPUBLISHED.

RELEASED FOR PUBLICATION

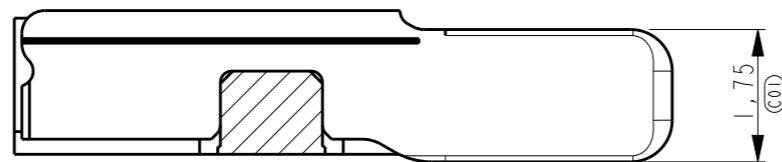
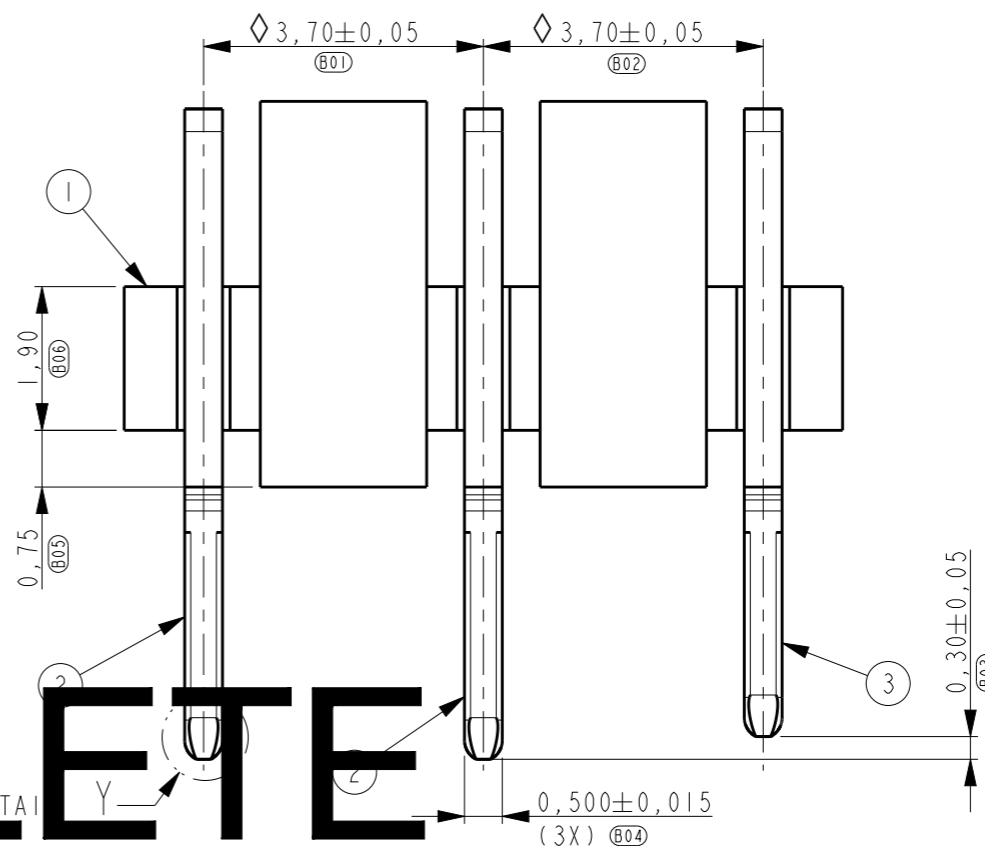
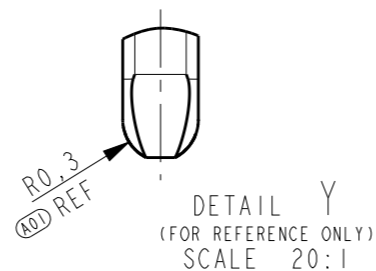
© COPYRIGHT - Tyco Electronics AMP GmbH

ALL RIGHTS RESERVED.

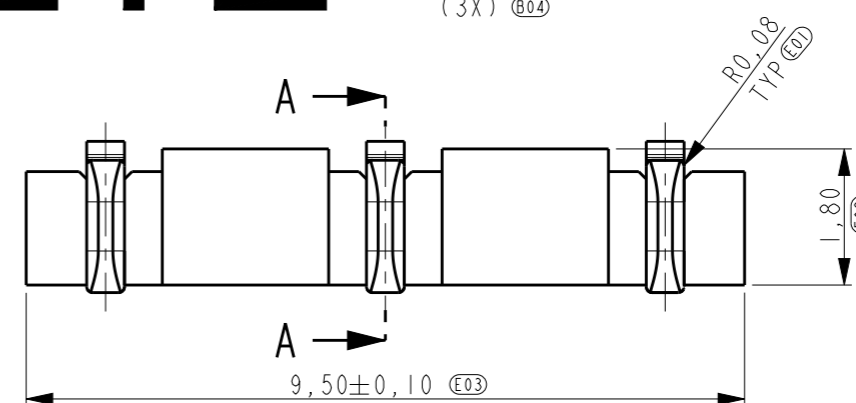
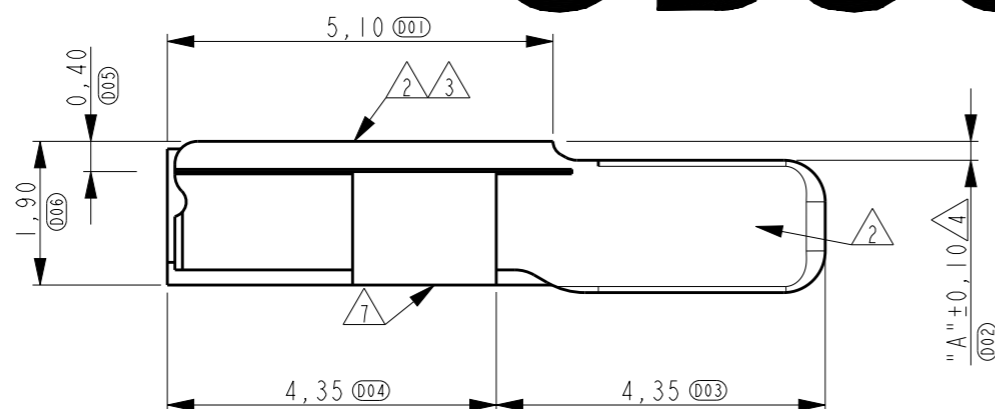
LOC	DIST	REVISIONS					
		P	LTR	DESCRIPTION	DATE	DWN	APVD
H	-			SEE SHEET 1	-	-	-

NOTES:

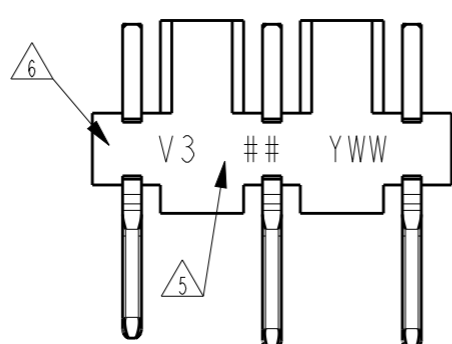
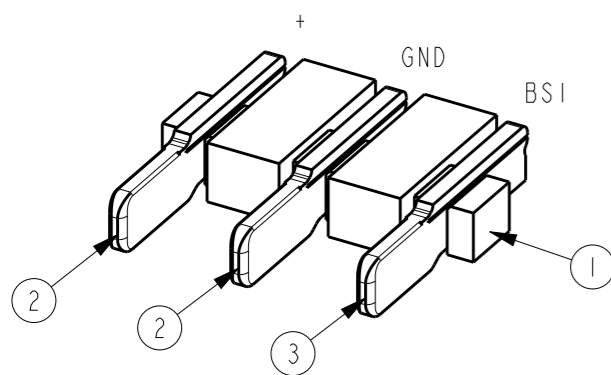
- 1 DRAWING REPRESENTS PART VERSION "V3".  
TE PN 2-1857269-7.
- 2 PLATING:  
1,2µm MIN. NICKEL ALL OVER  
0,8µm MIN. GOLD ON CONTACT AREA  
0,05 - 0,2µm GOLD ON SOLDER AREA
- 3 COPLANARITY OF SOLDER SURFACES 0,08 MAX.
- 4 DIMENSION DEPENDS ON DISTANCE BETWEEN  
PWB AND BATTERY, SEE TABLE ON SHEET 5.
- 5 MARKING: VERSION, PROCESS ID (##),  
PRODUCTION DATE (YWW, YEAR AND WEEK).
- 6 MARKING: CAVITY ID.
- 7 PICK&PLACE AREA.



# OBSOLETE



ITEM NO.	DESCRIPTION	MATERIAL	FINISH
3	CONTACT, FIRST BREAK	COPPER ALLOY	GOLD PLATED
2	CONTACT, LAST BREAK	COPPER ALLOY	GOLD PLATED
1	HOUSING	PLASTIC, GF	-



SCALE 5:1

THIS DRAWING IS A CONTROLLED DOCUMENT.

DIMENSIONS:	TOLERANCES UNLESS OTHERWISE SPECIFIED:
mm	0 PLC ±-
	1 PLC ±0,2
	2 PLC ±0,1
	3 PLC ±-
	4 PLC ±-
	ANGLES ±-
MATERIAL	FINISH

DWN	13 MAR 2012
P. Willems	
CHK	13 MAR 2012
P. Willems	
APVD	13 MAR 2012
D. Halberstadt	
PRODUCT SPEC	108-19276
APPLICATION SPEC	-
WEIGHT	-

**STE** TE Connectivity

NAME: PLUG CONNECTOR  
EDGE-TYPE, 3 POSITION  
BATTERY BLOCK

SIZE	CAGE CODE	DRAWING NO	RESTRICTED TO
A3	00779	C=1857269	-

Customer Drawing	SCALE 10:1	SHEET 3 OF 7	REV J1
------------------	------------	--------------	--------

4

3

2

1

THIS DRAWING IS UNPUBLISHED. RELEASED FOR PUBLICATION

© COPYRIGHT - Tyco Electronics AMP GmbH ALL RIGHTS RESERVED.

LOC	DIST	REVISIONS			
P	LTR	DESCRIPTION	DATE	DWN	APVD
H	-	SEE SHEET 1	-	-	-

NOTES:

△ REF DIMENSION REFERS TO DIMENSION B05 FROM BL-4B RECEPTACLE CONNECTOR 1705714-1.

THE SHOWN PHONE CASE IS ALSO BASED ON BL-4B DESIGN. THIS DIMENSION VARIES PER APPLIED RECEPTACLE.

PHONE CASE SHOWN AS PER BL-4B DESIGN

CONNECTOR POSITIONING

# OBSOLETE

WORKING RANGE:  
(PERMITTED BATTERY MOVEMENT)

IN X-DIRECTION ±0,50 SYMMETRICAL

IN Y-DIRECTION 1,25 TOTAL  
IN -Y-DIRECTION 0,80  
(BATTERY LENGTH TOLERANCE, PHONE CASE TOLERANCE, ASSEMBLY TOLERANCE, PHONE FLEXIBILITY)  
IN +Y-DIRECTION 0,45  
(ASSEMBLY TOLERANCE, PHONE FLEXIBILITY)

IN Z-DIRECTION 1,55 TOTAL  
IN -Z-DIRECTION 0,85  
(BATTERY FRONT TOLERANCE, PHONE CASE TOLERANCE, PHONE FLEXIBILITY)  
IN +Z-DIRECTION 0,70  
(PHONE CASE TOLERANCE, PHONE FLEXIBILITY)

THESE VALUES APPLY IF Z-NOMINAL IS IN THE CENTER OF THE RANGE SPECIFIED FOR THE PLUG (AS SHOWN HERE).

WORKING RANGE

SCALE 8:1

THIS DRAWING IS A CONTROLLED DOCUMENT.		DWN J. Tuin 16 AUG 2005	TE Connectivity	
		CHK J. Tuin 16 AUG 2005		
		APVD D. Halberstadt 16 AUG 2005		
		PRODUCT SPEC 108-19276		
DIMENSIONS: mm		APPLICATION SPEC -	NAME PLUG CONNECTOR EDGE-TYPE, 3 POSITION BATTERY BLOCK	RESTRICTED TO -
TOLERANCES UNLESS OTHERWISE SPECIFIED:		WEIGHT -	SIZE A3	CAGE CODE 00779
0 PLC ±-			DRAWING NO C-1857269	
1 PLC ±0,2				
2 PLC ±0,1				
3 PLC ±-				
4 PLC ±-				
ANGLES ±-				
MATERIAL -				
FINISH -				
Customer Drawing			SCALE 10:1	SHEET 4 OF 7

1470-19 (3/11)

Downloaded From [Onevac.com](http://Onevac.com)

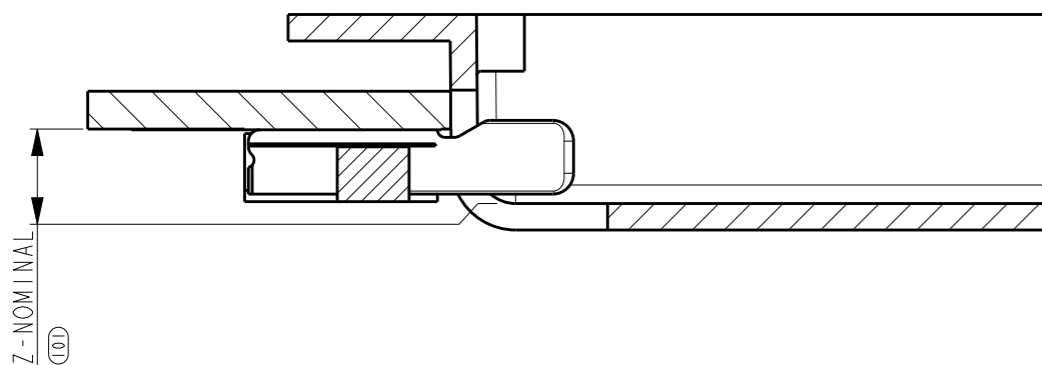
THIS DRAWING IS UNPUBLISHED.

RELEASED FOR PUBLICATION

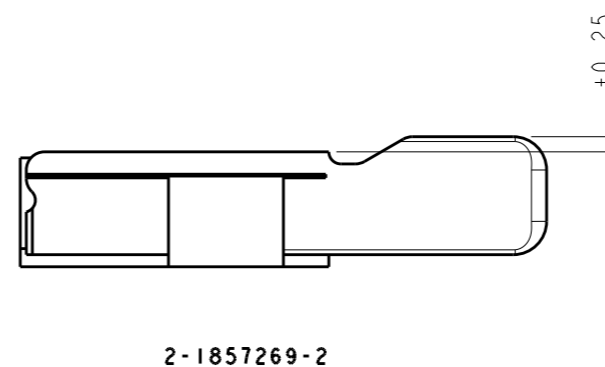
© COPYRIGHT - Tyco Electronics AMP GmbH

ALL RIGHTS RESERVED.

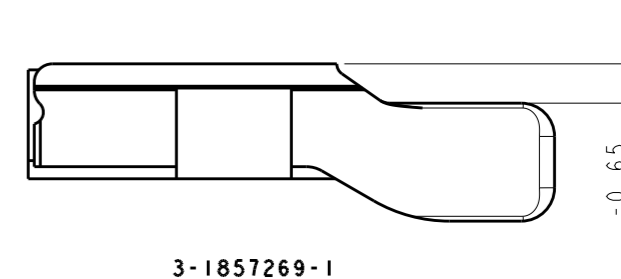
LOC	DIST	REVISIONS					
H	-	P	LTR	DESCRIPTION	DATE	DWN	APVD
				SEE SHEET 1			



NMP CODE	PART NUMBER	Z-NOMINAL RANGE	DIMENSION "A"	MASS [mg]
5469723	2-1857269-2	<2,2 (1,75 - 2,15)	+0,25	266
5469C09	2-1857269-7	<2,7 (2,25 - 2,65)	-0,25	261
5469470	3-1857269-1	<3,1 (2,65 - 3,05)	-0,65	270



2-1857269-2




3-1857269-1

# OBSOLETE

2-1857269-7

## PRODUCT SELECTION

THIS DRAWING IS A CONTROLLED DOCUMENT.		DWN J. Tuin 16 AUG 2005	 TE Connectivity		
DIMENSIONS: mm		CHK J. Tuin 16 AUG 2005			
TOLERANCES UNLESS OTHERWISE SPECIFIED:		APVD D. Halberstadt 16 AUG 2005	NAME PLUG CONNECTOR EDGE-TYPE, 3 POSITION BATTERY BLOCK		
0 PLC ±- 1 PLC ±0,2 2 PLC ±0,1 3 PLC ±- 4 PLC ±- ANGLES ±-		PRODUCT SPEC 108-19276	RESTRICTED TO		
MATERIAL -		APPLICATION SPEC -	SIZE A3	CAGE CODE 00779	DRAWING NO C-1857269
FINISH -		WEIGHT -	Customer Drawing		
		SCALE 10:1	SHEET 5	OF 7	REV J1

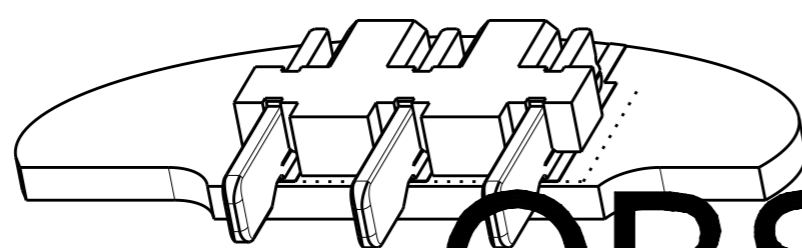
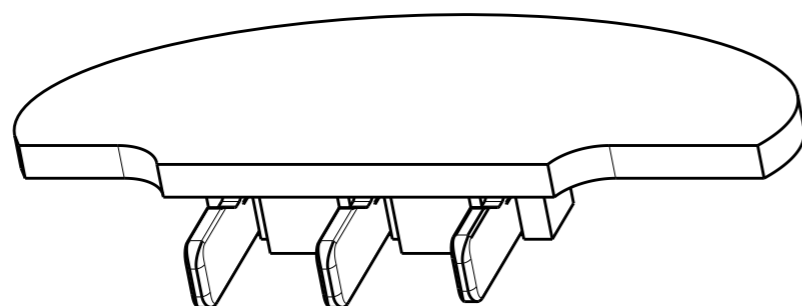
THIS DRAWING IS UNPUBLISHED.

RELEASED FOR PUBLICATION

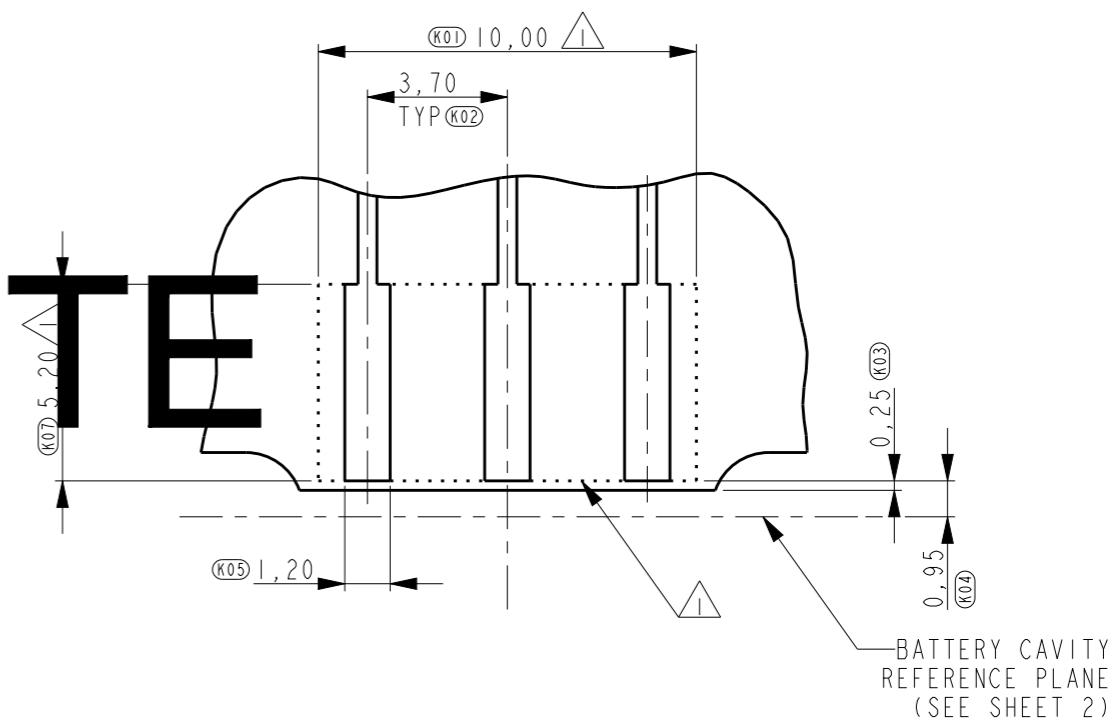
© COPYRIGHT - Tyco Electronics AMP GmbH

ALL RIGHTS RESERVED.


LOC	DIST	REVISIONS					
H	-	P	LTR	DESCRIPTION	DATE	DWN	APVD
			-	SEE SHEET 1	-	-	-



**OBSOLETE**



NOTES:  
 △ AREA FREE OF SOLDER SCREEN.

THIS DRAWING IS A CONTROLLED DOCUMENT.		DWN J. Tuin 16 AUG 2005	 TE Connectivity	
DIMENSIONS: mm		CHK J. Tuin 16 AUG 2005		
TOLERANCES UNLESS OTHERWISE SPECIFIED:		APVD D. Halberstadt 16 AUG 2005	NAME PLUG CONNECTOR EDGE-TYPE, 3 POSITION BATTERY BLOCK	
0 PLC ±0,2 1 PLC ±0,1 2 PLC ±0,1 3 PLC ± 4 PLC ± ANGLES ±		PRODUCT SPEC 108-19276	RESTRICTED TO	
MATERIAL -		APPLICATION SPEC -	SIZE A3	CAGE CODE 00779
FINISH -		WEIGHT -	DRAWING NO C-1857269	
		Customer Drawing		SCALE 10:1
				SHEET 6 OF 7
				REV J1

THIS DRAWING IS UNPUBLISHED.

RELEASED FOR PUBLICATION

© COPYRIGHT - Tyco Electronics AMP GmbH

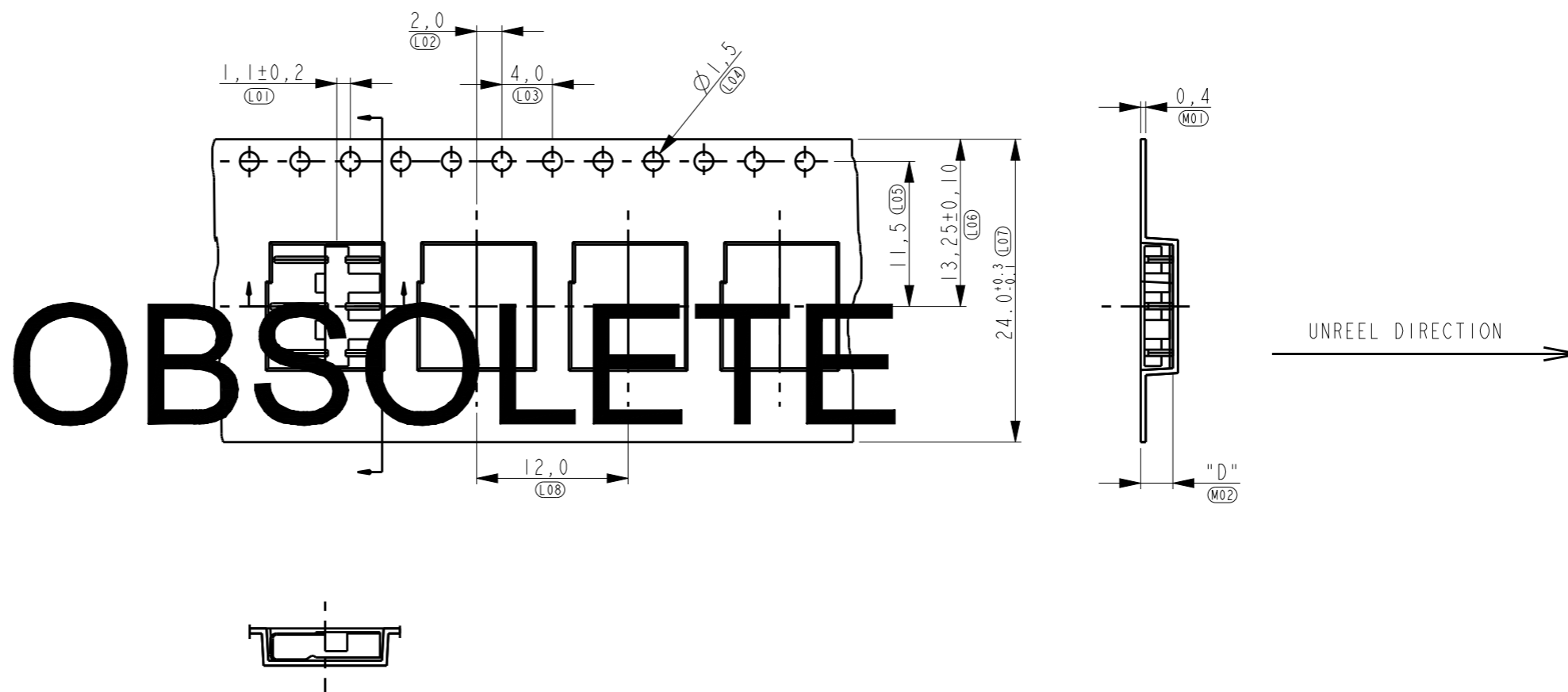
ALL RIGHTS RESERVED.


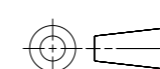
LOC	DIST	REVISIONS			
P	LTR	DESCRIPTION	DATE	DWN	APVD
	-	SEE SHEET 1	-	-	-

PART NUMBER	QUANTITY PER REEL	DIMENSION "D"
2-1857269-2	1800	2,6
2-1857269-7	1800	2,3
3-1857269-1	1500	2,9

NOTES:

1 REEL DIMENSION: 330x101x24,4.



THIS DRAWING IS A CONTROLLED DOCUMENT.		DWN J. Tuin 16 AUG 2005		 TE Connectivity	
DIMENSIONS: mm		CHK J. Tuin 16 AUG 2005			
		TOLERANCES UNLESS OTHERWISE SPECIFIED:		NAME PLUG CONNECTOR	
		0 PLC ±- 1 PLC ±0,2 2 PLC ±0,1 3 PLC ±- 4 PLC ±- ANGLES ±-		EDGE-TYPE, 3 POSITION	
MATERIAL -		FINISH -		APPLICATION SPEC 108-19276	
				BATTERY BLOCK	
		WEIGHT -		SIZE A3	CAGE CODE 00779
		Customer Drawing		DRAWING NO. C-1857269	RESTRICTED TO -
				SCALE 0:1	SHEET 7 OF 7
				REV J1	

单击下面可查看定价，库存，交付和生命周期等信息

[>>TE Connectivity\(泰科\)](#)