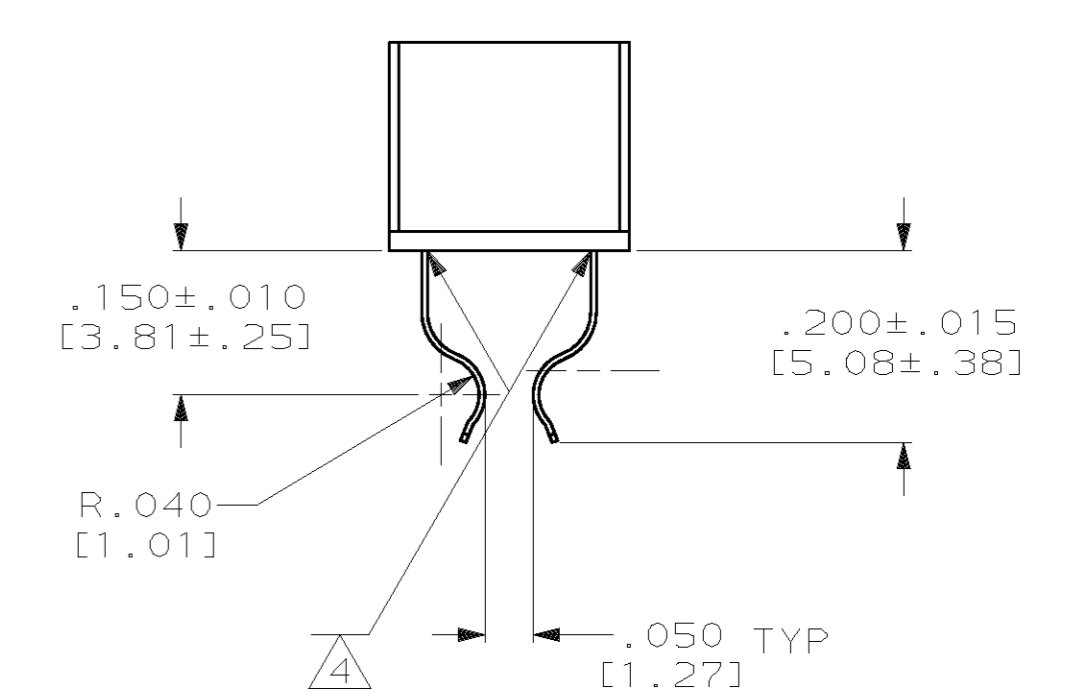
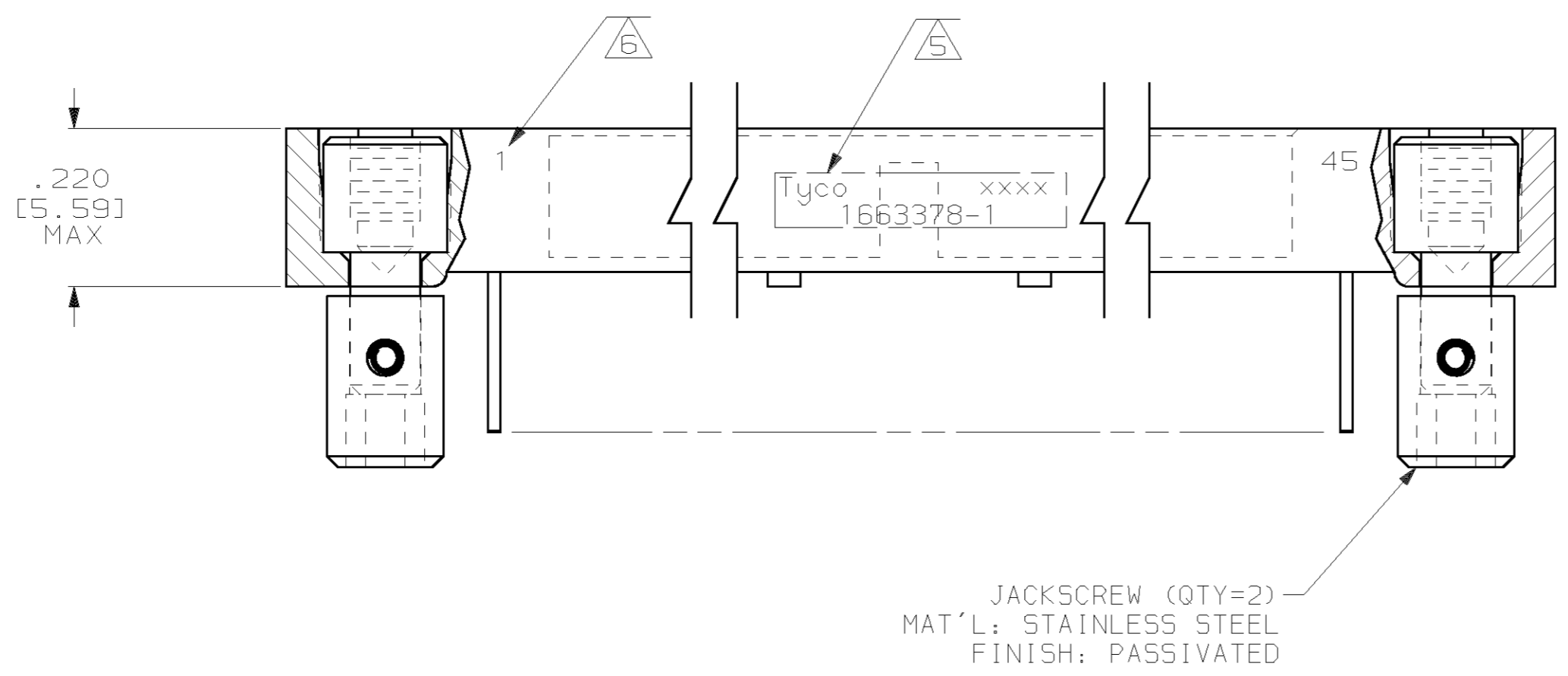
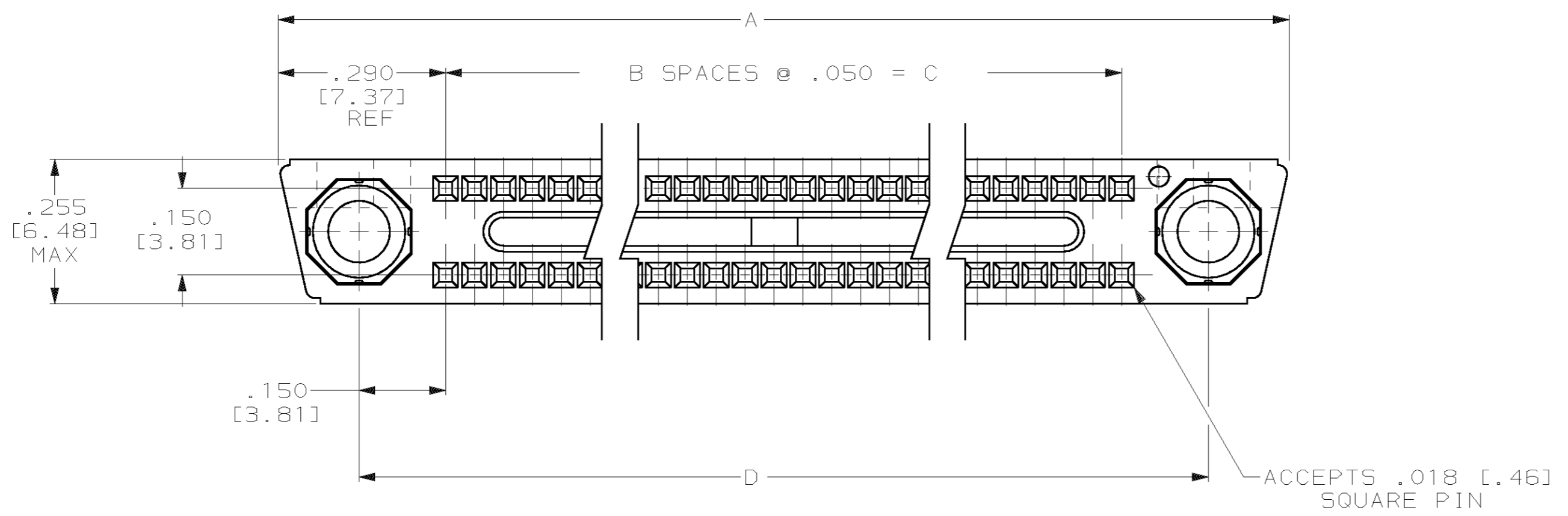


THIS DRAWING IS UNPUBLISHED. RELEASED FOR PUBLICATION
 (C) COPYRIGHT 19 BY AMP INCORPORATED. ALL RIGHTS RESERVED.

| LOC | | DIST | | REVISIONS | | | |
|-----|-----|-------------|----------------------|-----------|------|----|--|
| P | LTR | DESCRIPTION | DATE | DWN | APVD | | |
| DF | FO | A | REV PER 063D-0168-03 | 6-03 | CT | DN | |



THIS VIEW SHOWN WITHOUT JACKSCREWS

- ① HOUSING MATERIAL: LIQUID CRYSTAL POLYMER PER MIL-M-24519, GLCP-30F; COLOR: GRAY.
- ② CONTACT MATERIAL: BERYLLIUM COPPER.
- ③ CONTACT FINISH: .000050 GOLD IN CONTACT AREA, GOLD FLASH OVER REMAINDER OF CONTACT. BOTH OVER NICKEL. TIN-LEAD PLATED SOLDER-TAILS FOR SOLDERABILITY.
- ④ THIN BEAD OF EPOXY ADDED FOR CONTACT RETENTION.
- ⑤ TYCO, TYCO PART NO. & DATE CODE MARKED THIS APPROXIMATE AREA.
- ⑥ NUMBERS OF END POSITIONS MARKED ONE SIDE ONLY (SEE TABLE).
- ⑦ MUST MEET ALL APPLICABLE REQUIREMENTS OF MIL-C-55302.

| CONTACT IDENT NUMBERS | D | C | B | A | NUMBER OF CONTACTS | PART NUMBER |
|-----------------------|---------------|---------------|----|---------------|--------------------|-------------|
| 1 - 25 | 1.500 [38.10] | 1.200 [30.45] | 24 | 1.790 [45.47] | 50 | 1663378-2 |
| 1 - 45 | 2.500 [63.50] | 2.200 [55.88] | 44 | 2.790 [70.87] | 90 | 1663378-1 |

THIS DRAWING IS A CONTROLLED DOCUMENT.

| | | |
|------|-------------|---------|
| DWN | C.C. THOMAS | 3-25-03 |
| CHK | D. NALLY | 3-25-03 |
| APVD | D. NALLY | 3-25-03 |

tyco Electronics
 TYCO Electronics
 Harrisburg, PA 17105-3608

NAME: RECEPTACLE ASSY, MINI-BOX WITH LOW FORCE CONTACTS, CARD EXTENDER WITH JACK SCREWS

| | | | | | | | |
|-------|-----|-----------|-------|------------|---------|---------------|---|
| SIZE | A2 | CAGE CODE | 00779 | DRAWING NO | 1663378 | RESTRICTED TO | - |
| SCALE | 5:1 | SHEET | 1 | OF | 1 | REV | A |

CUSTOMER DRAWING

单击下面可查看定价，库存，交付和生命周期等信息

[>>TE Connectivity\(泰科\)](#)