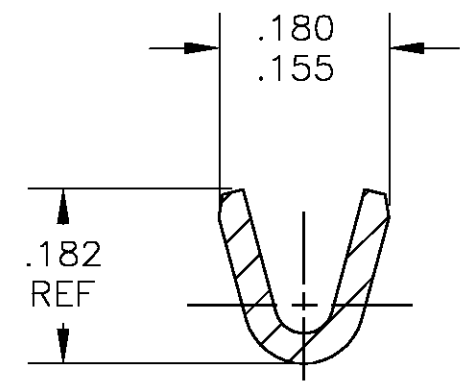
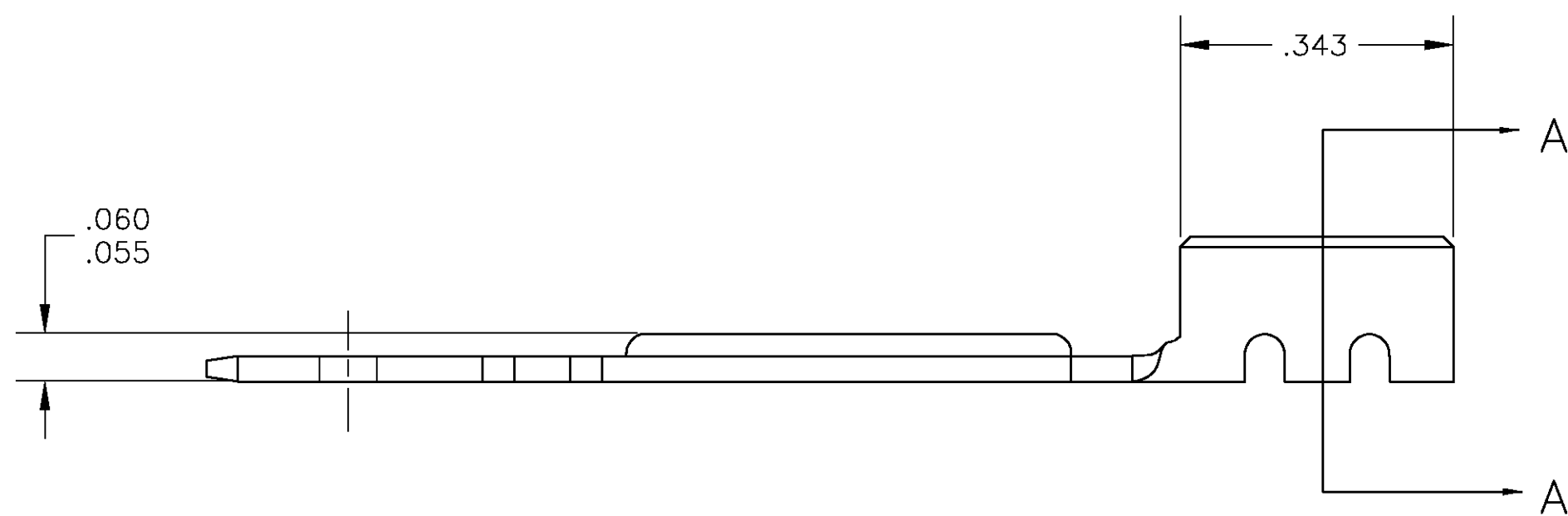
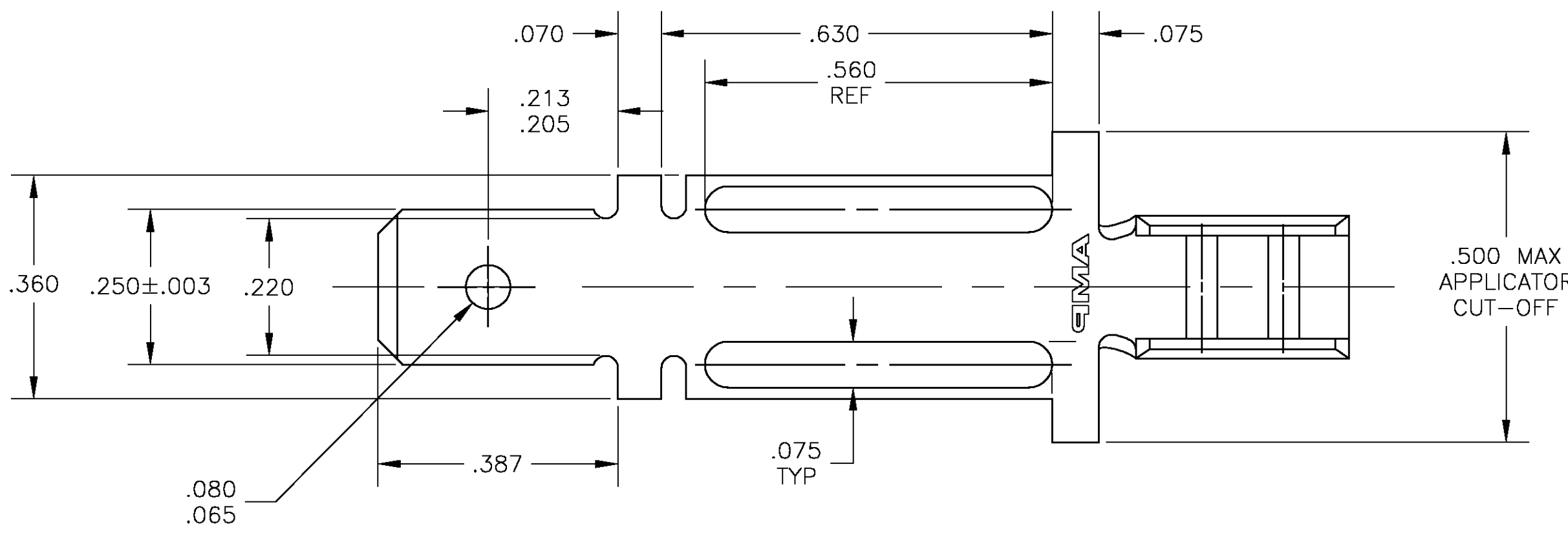


THIS DRAWING IS UNPUBLISHED. RELEASED FOR PUBLICATION
 © COPYRIGHT BY TYCO ELECTRONICS CORPORATION. ALL RIGHTS RESERVED.

LOC	DIST	REVISIONS			
P	LTR	DESCRIPTION	DATE	DWN	APVD
AF	50	D	REV PER 0G3A-0185-03	24MAR03	JR PD

- 1 CONTINUOUS STRIP ON REELS
- 2 WIRE SIZE IS 20-15
- 3 SEE SHEET 2 FOR SUGGESTED LOCKING IN CERAMIC.



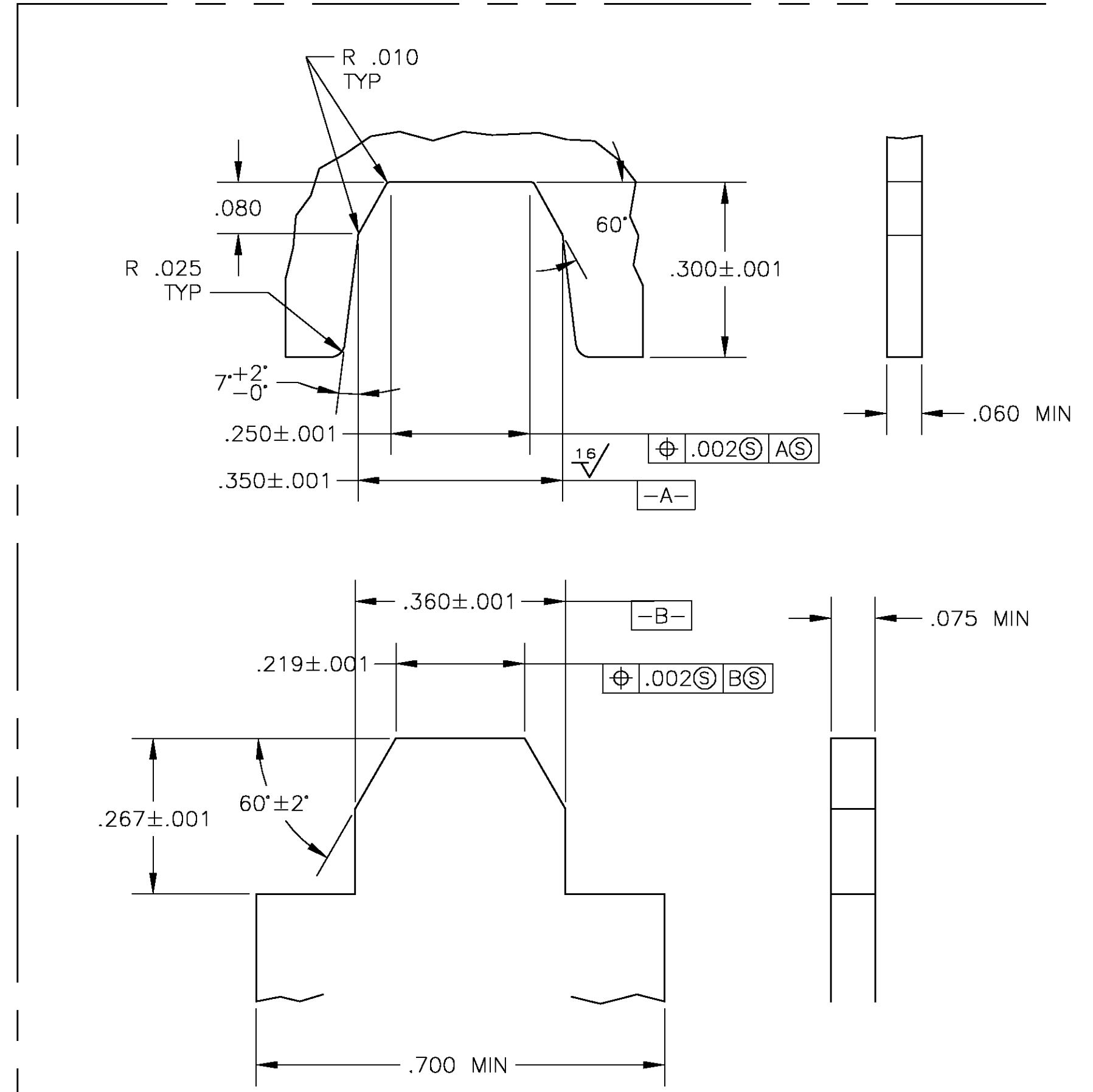
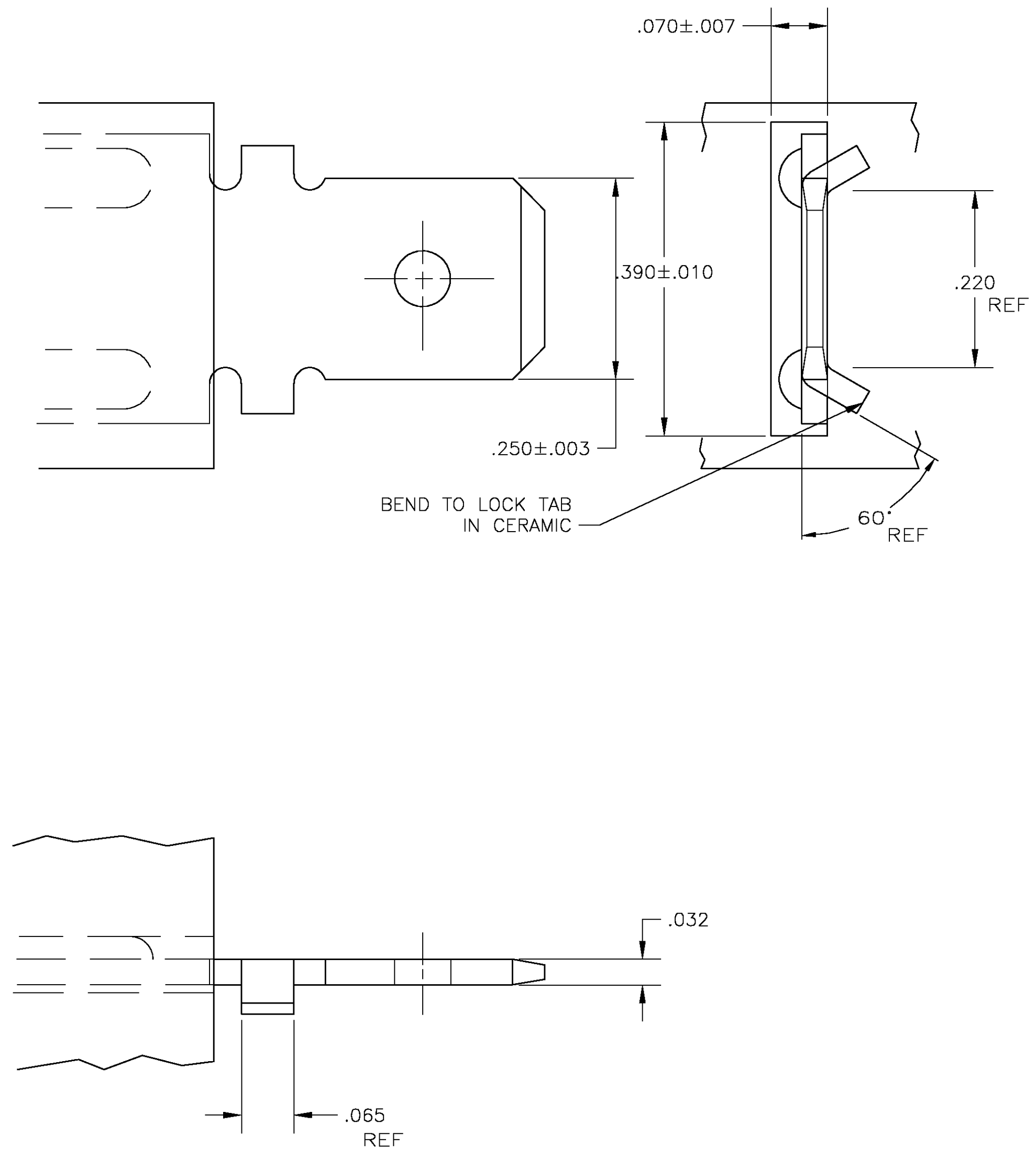
SECTION A-A

1217918-1
PART NO

THIS DRAWING IS A CONTROLLED DOCUMENT.		DWN	JR RUTH	27JAN03	 Tyco Electronics Corporation Harrisburg, PA 17105								
DIMENSIONS: INCHES		CHK	P DESANTIS	27JAN03									
		APVD	P DESANTIS	27JAN03									
TOLERANCES UNLESS OTHERWISE SPECIFIED: 0 PLC ± - 1 PLC ± - 2 PLC ± - 3 PLC ± .010 4 PLC ± - ANGLES ± 1°		PRODUCT SPEC	NAME			TAB, .250 SERIES FOR NI-CHROME WIRE							
MATERIAL	CR STEEL, T2	FINISH	.000100 MIN NICKEL		SIZE	A2	CAGE CODE	00779	DRAWING NO	C=1217918	RESTRICTED TO	-	
CUSTOMER DRAWING		WEIGHT	-		SCALE	5:1		SHEET	1	OF	2	REV	D

THIS DRAWING IS UNPUBLISHED. RELEASED FOR PUBLICATION
 © COPYRIGHT BY TYCO ELECTRONICS CORPORATION. ALL RIGHTS RESERVED.

LOC		DIST		REVISIONS			
P	LTR	DESCRIPTION	DATE	DWN	APVD		
AF	50						
		D	SEE SHEET 1				



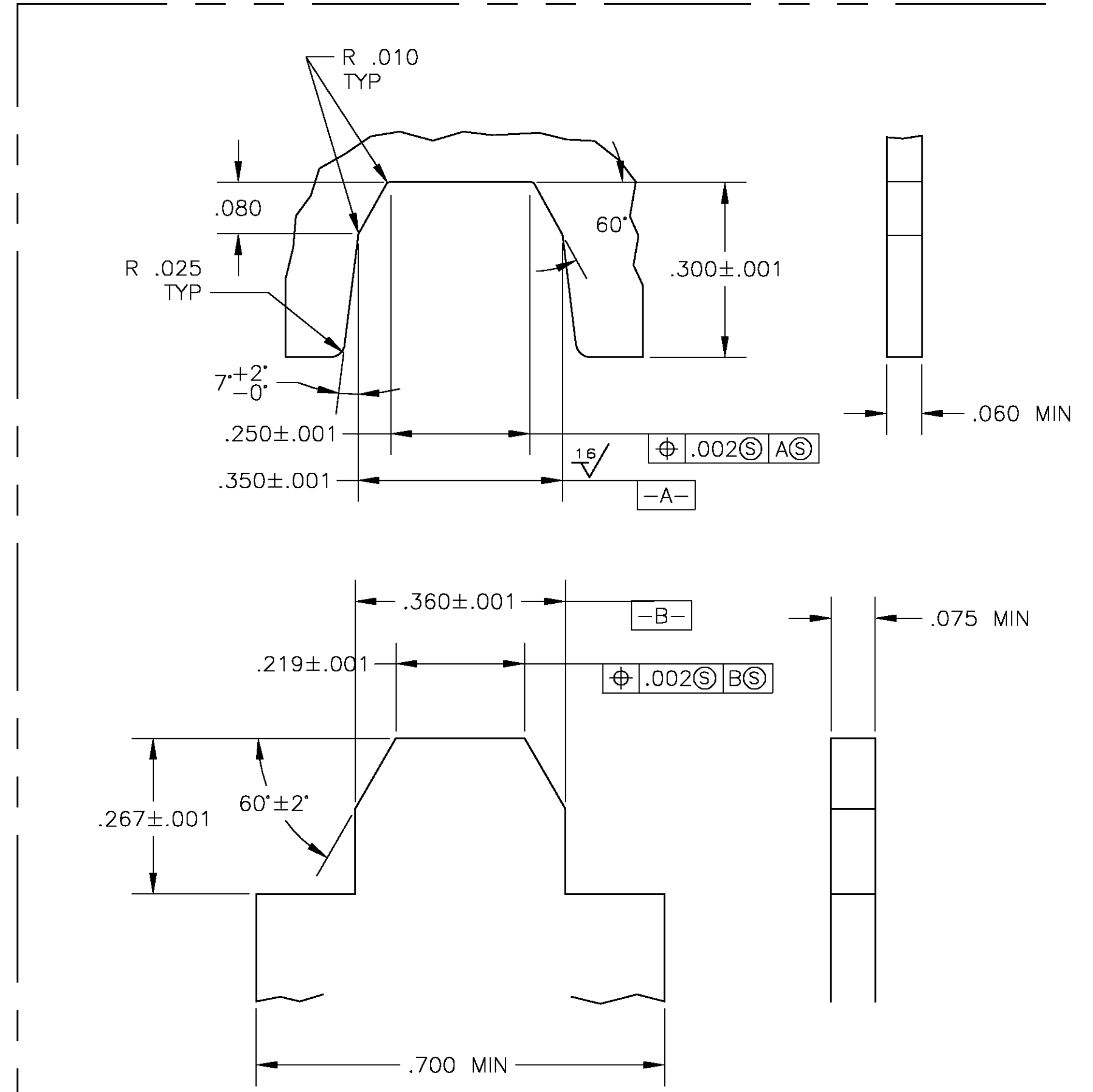
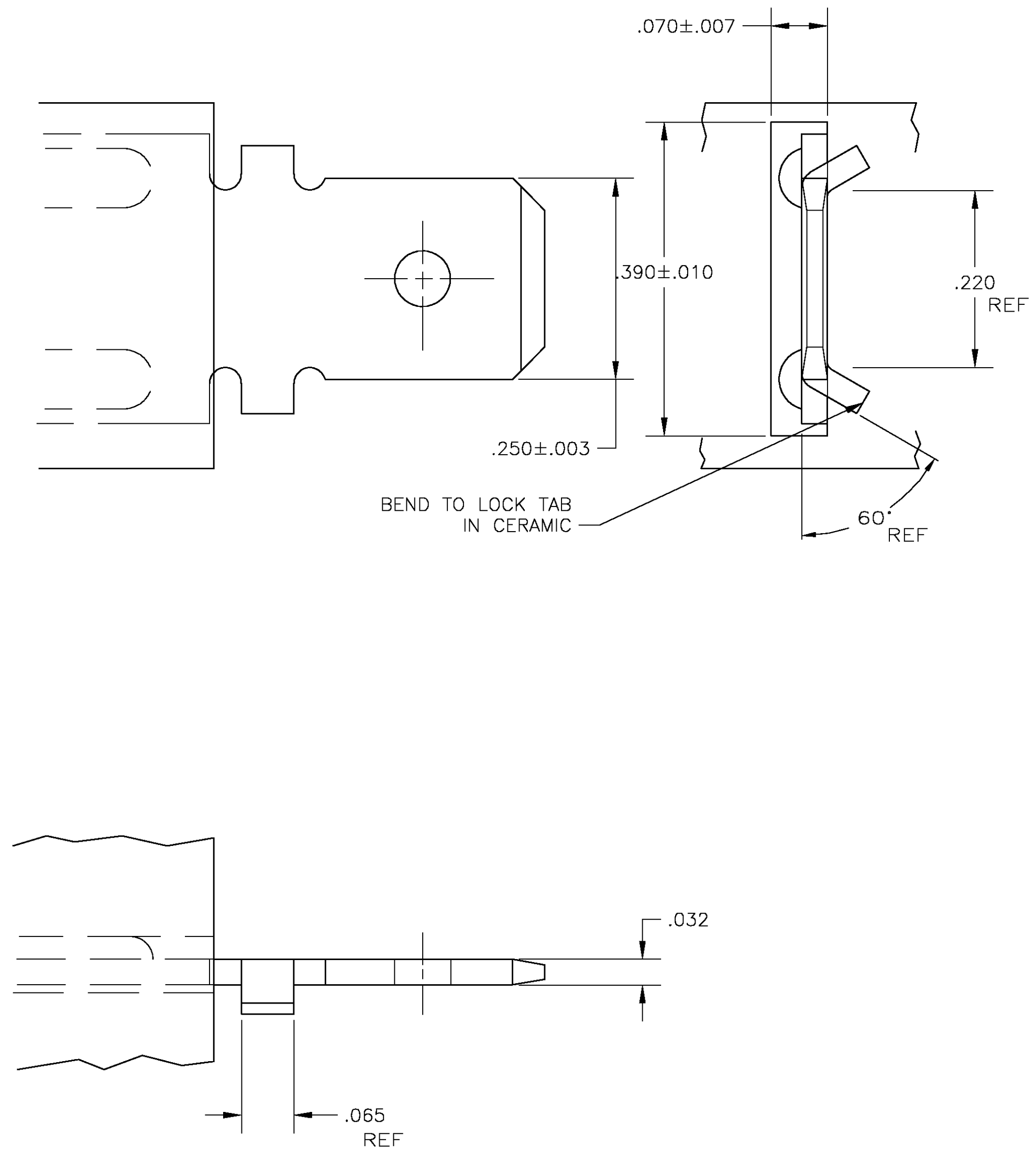
CLINCHERS
 MATL: AISI 3250 Rc 53-55
 TOLERANCES: ±0.13 ±.005

THIS DRAWING IS A CONTROLLED DOCUMENT.		DWN	JR RUTH	27JAN03	 Tyco Electronics Corporation Harrisburg, PA 17105																											
DIMENSIONS: INCHES		CHK	P DESANTIS	27JAN03																												
TOLERANCES UNLESS OTHERWISE SPECIFIED:		APVD	P DESANTIS	27JAN03																												
<table border="1"> <tr><td>0</td><td>PLC</td><td>±</td><td>-</td></tr> <tr><td>1</td><td>PLC</td><td>±</td><td>-</td></tr> <tr><td>2</td><td>PLC</td><td>±</td><td>-</td></tr> <tr><td>3</td><td>PLC</td><td>±</td><td>.010</td></tr> <tr><td>4</td><td>PLC</td><td>±</td><td>-</td></tr> <tr><td colspan="2">ANGLES</td><td>±</td><td>-</td></tr> <tr><td colspan="2">FINISH</td><td></td><td></td></tr> </table>		0	PLC	±		-	1	PLC	±	-	2	PLC	±	-	3	PLC	±	.010	4	PLC	±	-	ANGLES		±	-	FINISH				PRODUCT SPEC	
0	PLC	±	-																													
1	PLC	±	-																													
2	PLC	±	-																													
3	PLC	±	.010																													
4	PLC	±	-																													
ANGLES		±	-																													
FINISH																																
MATERIAL: CRS		APPLICATION SPEC	114-2097		NAME: TAB, NI-CHROME WIRE, .250 SERIES																											
		WEIGHT	-		SIZE: A2																											
		FINISH: NICKEL			CAGE CODE: 00779																											
		CUSTOMER DRAWING			DRAWING NO: 1217918																											
					RESTRICTED TO: -																											
					SCALE: 8:1																											
					SHEET: 2 OF 2																											
					REV: D																											

1217918

THIS DRAWING IS UNPUBLISHED. RELEASED FOR PUBLICATION
 © COPYRIGHT BY TYCO ELECTRONICS CORPORATION. ALL RIGHTS RESERVED.

LOC		DIST		REVISIONS			
P	LTR	DESCRIPTION	DATE	DWN	APVD		
AF	50						
		D	SEE SHEET 1				



CLINCHERS
 MATL: AISI 3250 Rc 53-55
 TOLERANCES: ± 0.13 $\pm .005$

THIS DRAWING IS A CONTROLLED DOCUMENT.		DWN	JR RUTH	27JAN03	 Tyco Electronics Corporation Harrisburg, PA 17105																											
DIMENSIONS: INCHES		CHK	P DESANTIS	27JAN03																												
TOLERANCES UNLESS OTHERWISE SPECIFIED:		APVD	P DESANTIS	27JAN03																												
<table border="1"> <tr><td>0</td><td>PLC</td><td>±</td><td>-</td></tr> <tr><td>1</td><td>PLC</td><td>±</td><td>-</td></tr> <tr><td>2</td><td>PLC</td><td>±</td><td>-</td></tr> <tr><td>3</td><td>PLC</td><td>±</td><td>.010</td></tr> <tr><td>4</td><td>PLC</td><td>±</td><td>-</td></tr> <tr><td colspan="2">ANGLES</td><td>±</td><td>-</td></tr> <tr><td colspan="2">FINISH</td><td></td><td></td></tr> </table>		0	PLC	±		-	1	PLC	±	-	2	PLC	±	-	3	PLC	±	.010	4	PLC	±	-	ANGLES		±	-	FINISH				PRODUCT SPEC	
0	PLC	±	-																													
1	PLC	±	-																													
2	PLC	±	-																													
3	PLC	±	.010																													
4	PLC	±	-																													
ANGLES		±	-																													
FINISH																																
MATERIAL: CRS		APPLICATION SPEC	114-2097	SIZE	A2																											
		WEIGHT	-	CAGE CODE	00779																											
		FINISH: NICKEL		DRAWING NO	C=1217918																											
				RESTRICTED TO	-																											
		CUSTOMER DRAWING		SCALE	8:1																											
				SHEET	2 OF 2																											
				REV	D																											

1217918

单击下面可查看定价，库存，交付和生命周期等信息

[>>TE Connectivity\(泰科\)](#)