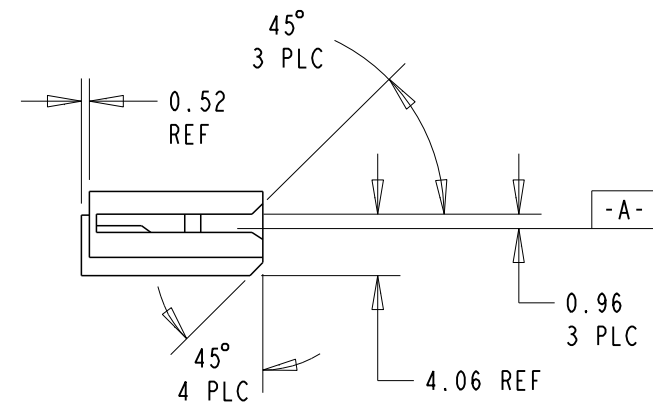
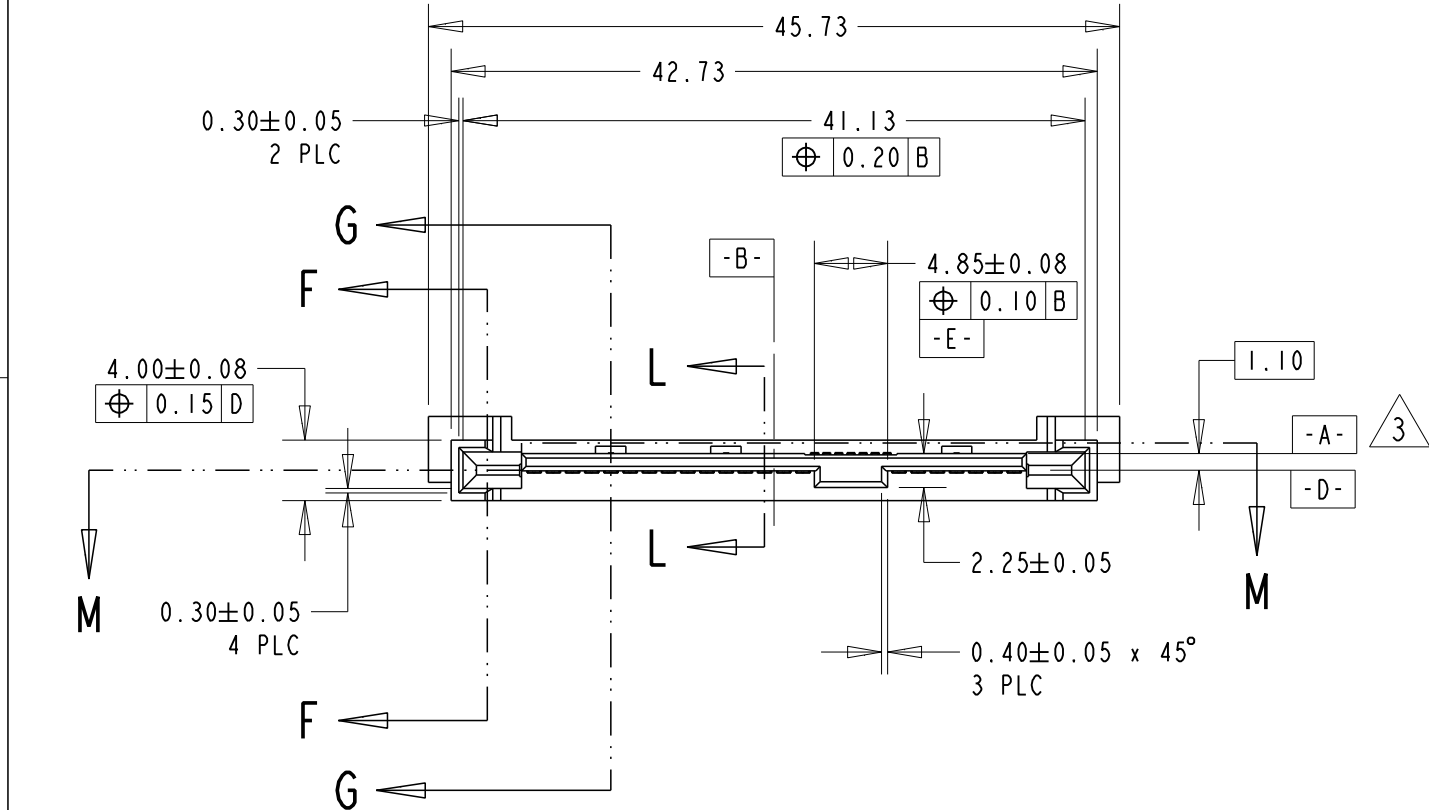
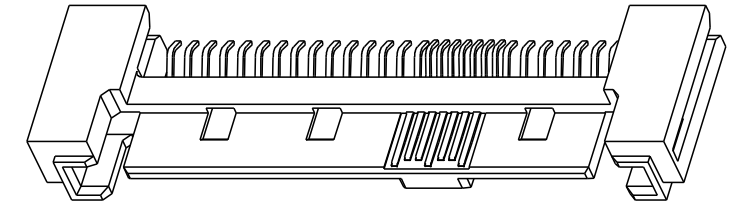


THIS DRAWING IS UNPUBLISHED. RELEASED FOR PUBLICATION .19
 BY AMP INCORPORATED. ALL RIGHTS RESERVED.

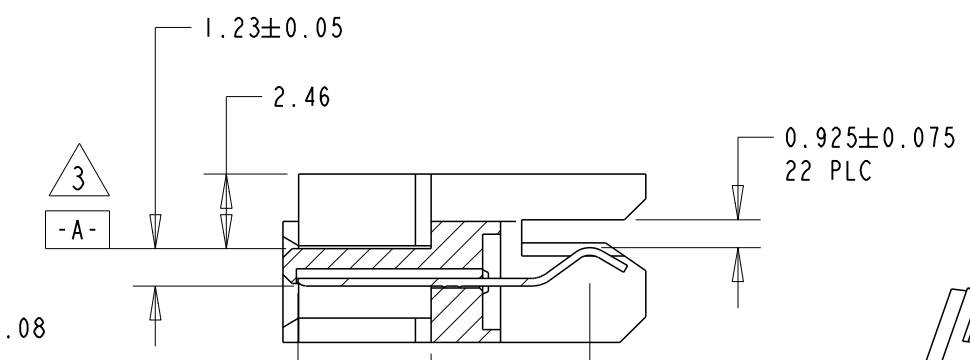
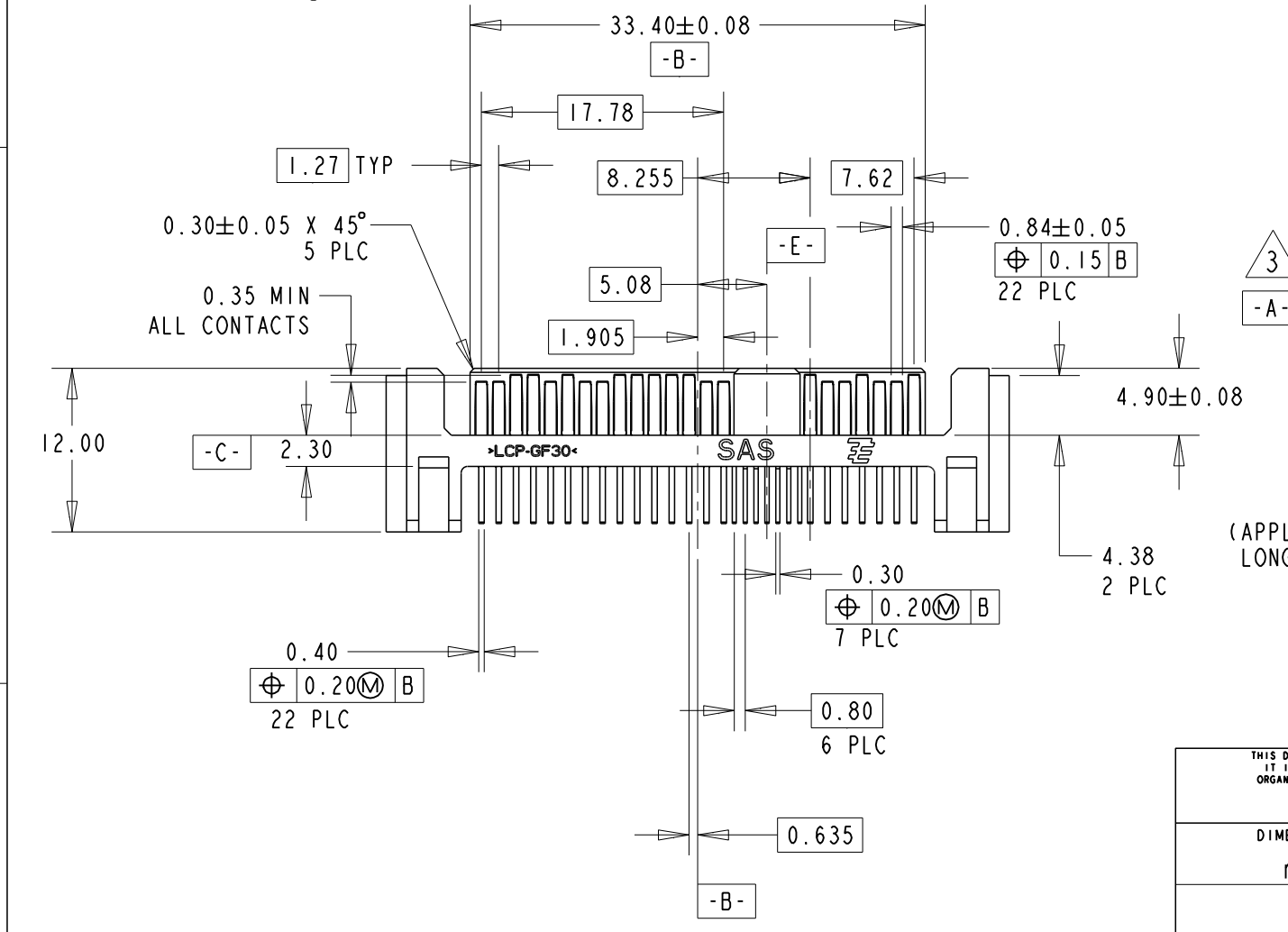
LOC	DIST	REVISIONS					
DY	-	P	LTR	DESCRIPTION	DATE	DWN	APVD
		B		REVISED-ECR-10-014113	25JUN2010	JC	TAP



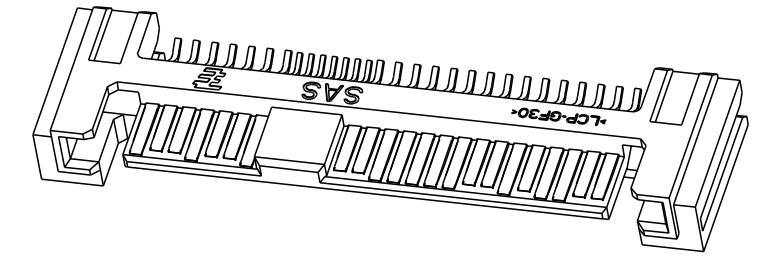
- NOTES:
- 1 MATERIAL
HOUSING: HIGH TEMPERATURE THERMOPLASTICS, GLASS FILLED, BLACK, UL94V-0, REGRIND 25% MAXIMUM
CONTACT: COPPER ALLOY
 - 2 FINISH
0.76um MINIMUM GOLD ON MATING AREA AND 1.91um MINIMUM MATTE TIN (LEAD-FREE) ON SOLDER AREA, BOTH OVER 1.27um MIN NICKEL
 - 3 -A- IS DEFINED AS TOP SURFACE OF HOUSING



SCALE 2:1



SECTION L-L
SCALE 4:1



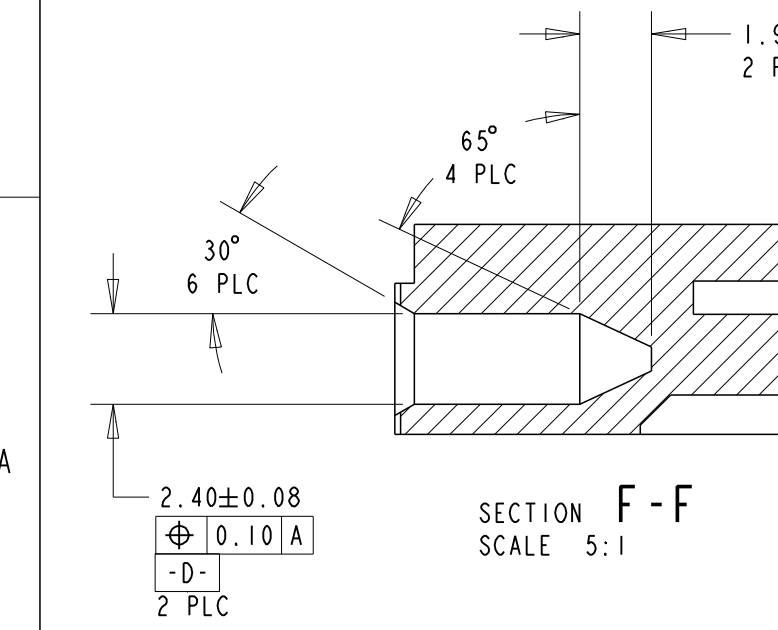
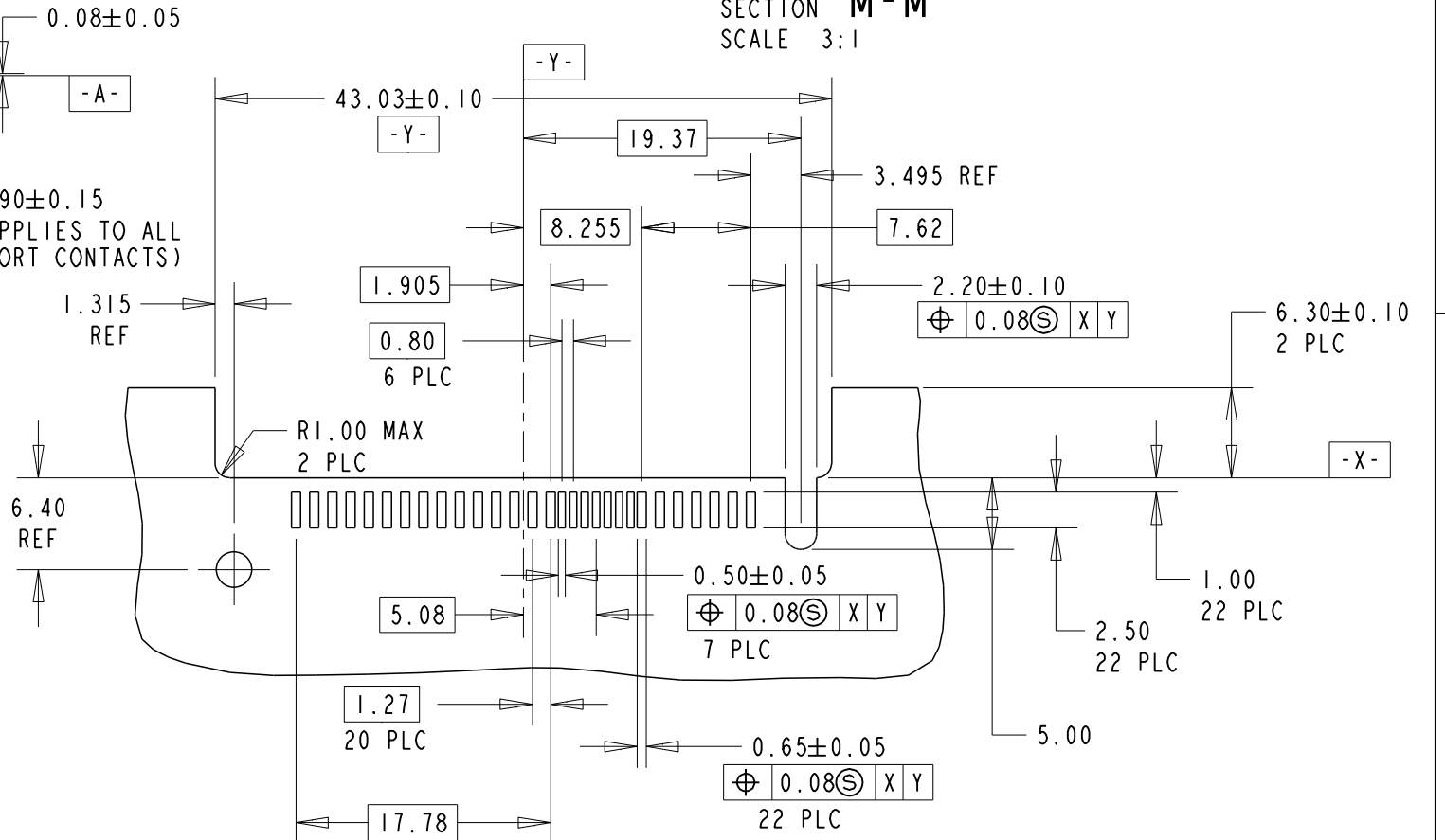
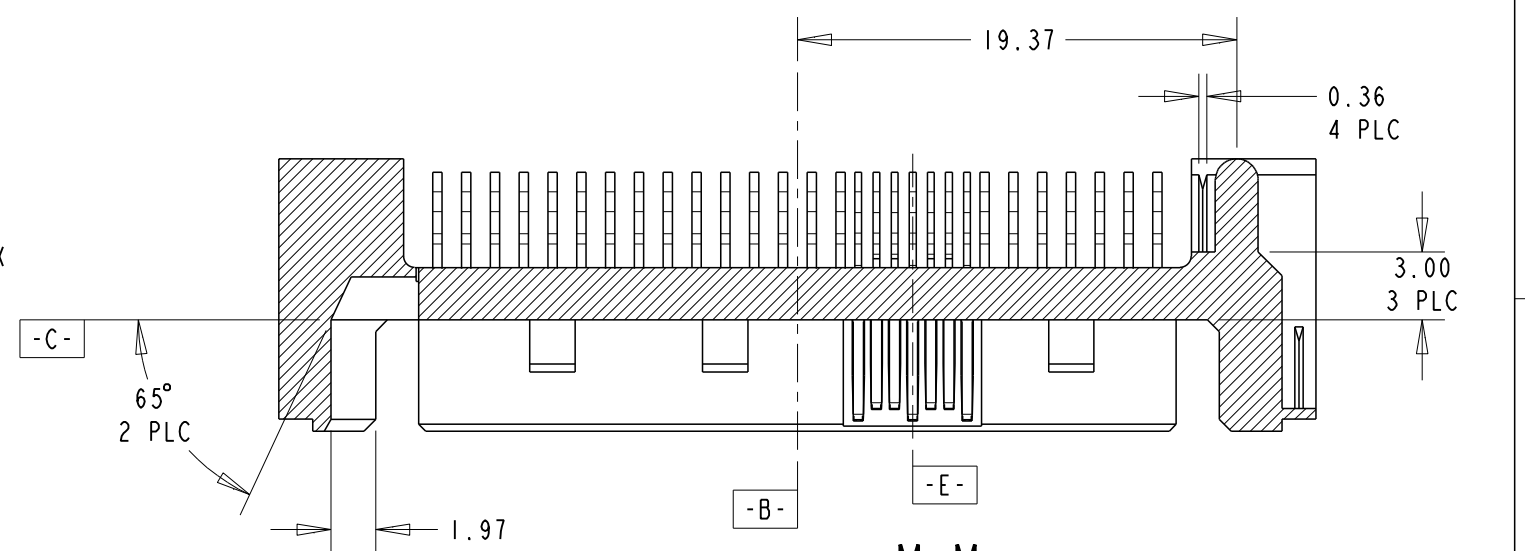
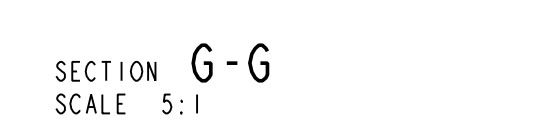
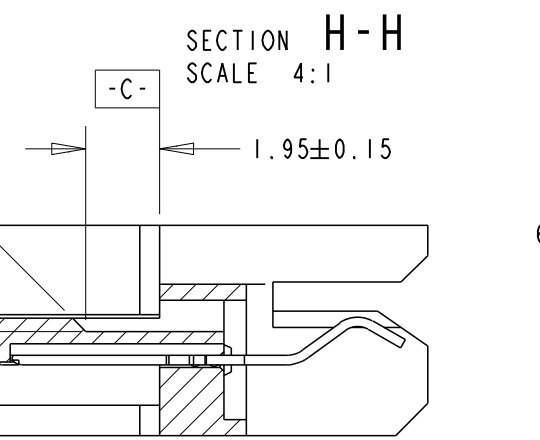
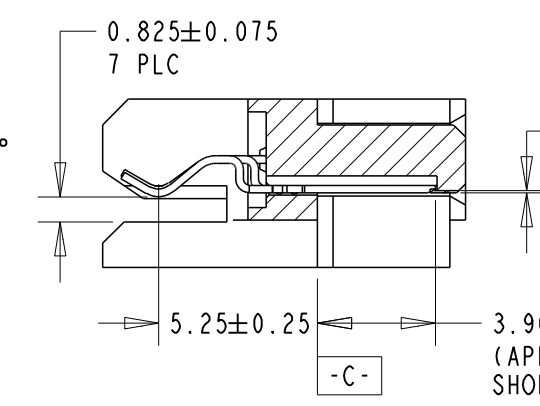
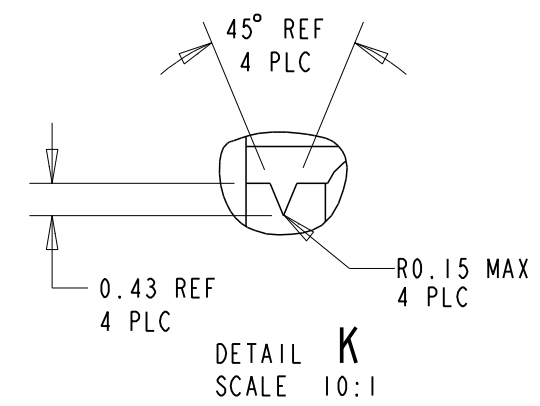
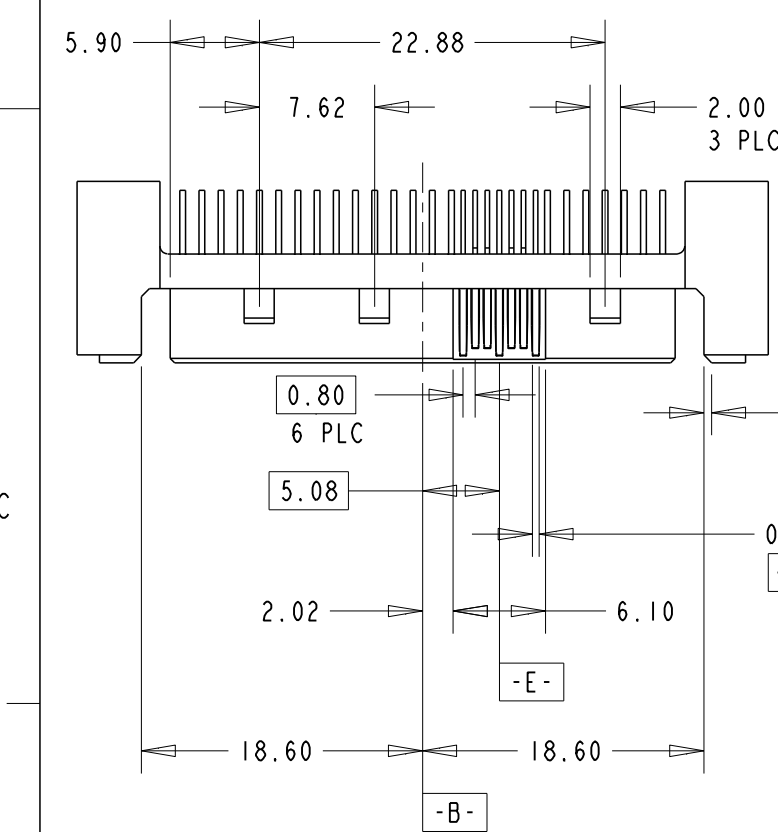
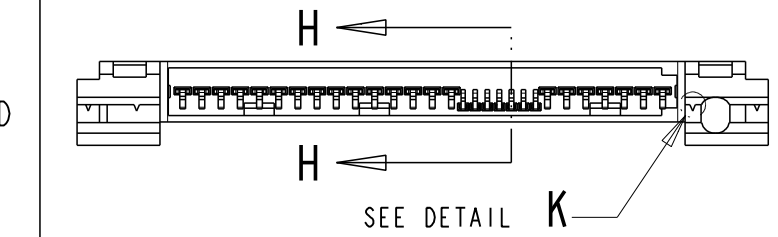
SCALE 2:1

1735183-1
PART NO.

THIS DRAWING IS A CONTROLLED DOCUMENT FOR AMP INCORPORATED. IT IS SUBJECT TO CHANGE AND THE CONTROLLING ENGINEERING ORGANIZATION SHOULD BE CONTACTED FOR THE LATEST REVISION.		DWN WYLEE 18NOV04	Tyco Electronics Singapore Pte. Ltd.	
DIMENSIONS: mm	TOLERANCES UNLESS OTHERWISE SPECIFIED:	CHK AP TAY	NAME PLUG, SAS 15+7+7P 0.96mm OFFSET	
	0 PLC ±-	APVD SE LEONG	SIZE A3	CAGE CODE 00779
	1 PLC ±-	PRODUCT SPEC	DRAWING NO C-1735183	
	2 PLC ±0.15	APPLICATION SPEC	SCALE 2:1	SHEET 1 OF 2
	3 PLC ±0.15		REV B	
	4 PLC ±-			
MATERIAL	ANGLES ±2°	WEIGHT		
	FINISH			
		CUSTOMER DRAWING		

THIS DRAWING IS UNPUBLISHED. RELEASED FOR PUBLICATION .19
 © COPYRIGHT 19 BY AMP INCORPORATED. ALL RIGHTS RESERVED.

LOC	DIST	REVISIONS			
P	LTR	DESCRIPTION	DATE	DWN	APVD
DY	-	SEE SHEET 1			



THIS DRAWING IS A CONTROLLED DOCUMENT FOR AMP INCORPORATED. IT IS SUBJECT TO CHANGE AND THE CONTROLLING ENGINEERING ORGANIZATION SHOULD BE CONTACTED FOR THE LATEST REVISION.		DWN WYLEE	18NOV04	Tyco Electronics Singapore Pte. Ltd.	
DIMENSIONS: mm		CHK AP TAY	APVD SE LEONG	NAME PLUG, SAS 15+7+7P 0.96mm OFFSET	
TOLERANCES UNLESS OTHERWISE SPECIFIED: 0 PLC ± 1 PLC ± 2 PLC ±0.15 3 PLC ±0.15 4 PLC ± ANGLES ±2°		PRODUCT SPEC -		DRAWING NO C-1735183	
MATERIAL 1		FINISH 2		APPLICATION SPEC -	WEIGHT -
CUSTOMER DRAWING				SIZE A3	CAGE CODE 00779
				SCALE 2:1	SHEET 2 OF 2
				REV B	

单击下面可查看定价，库存，交付和生命周期等信息

[>>TE Connectivity\(泰科\)](#)