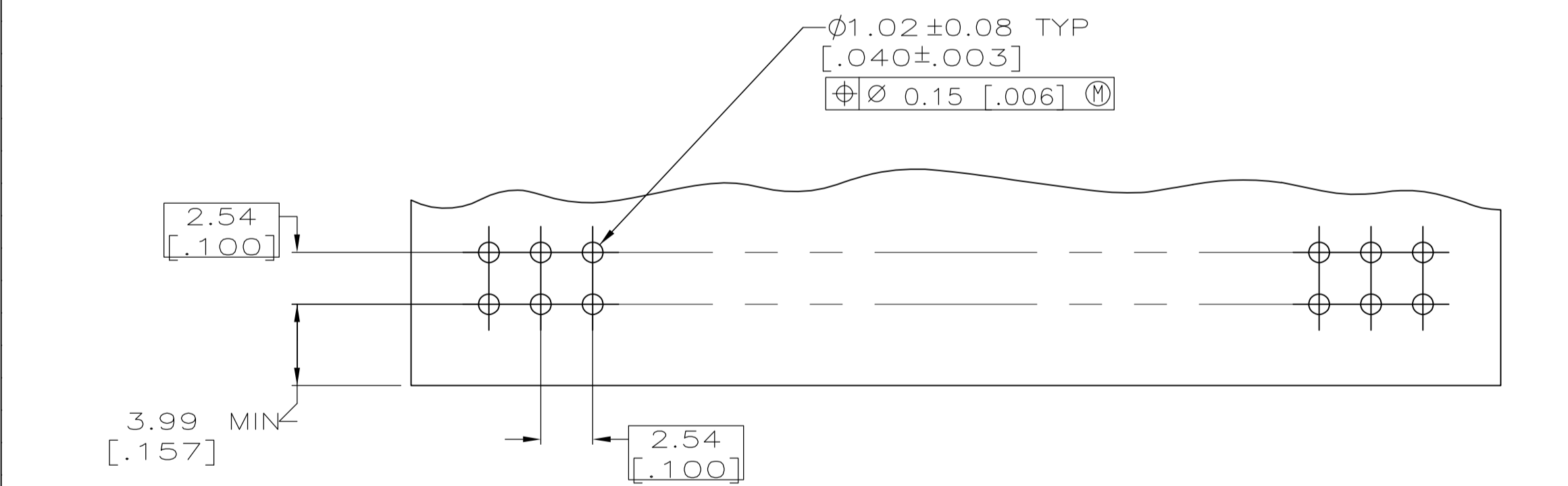
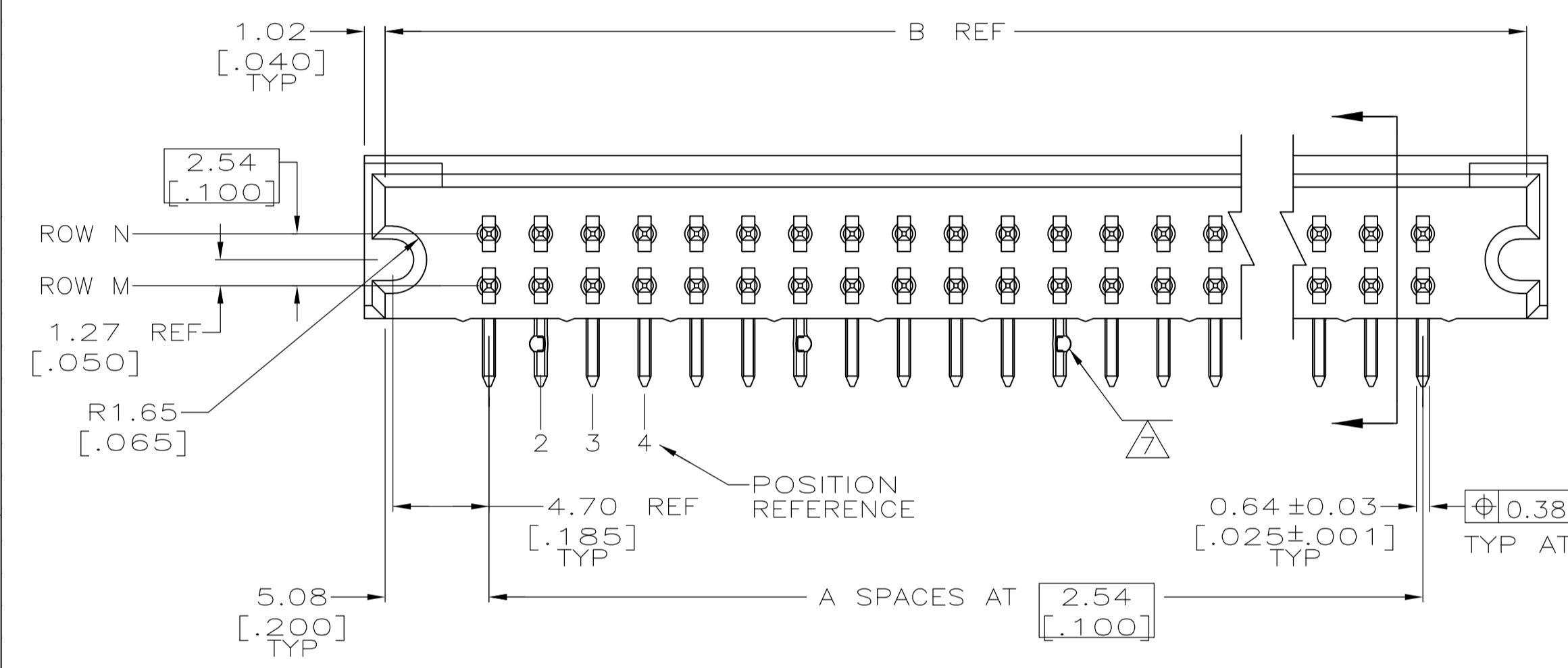
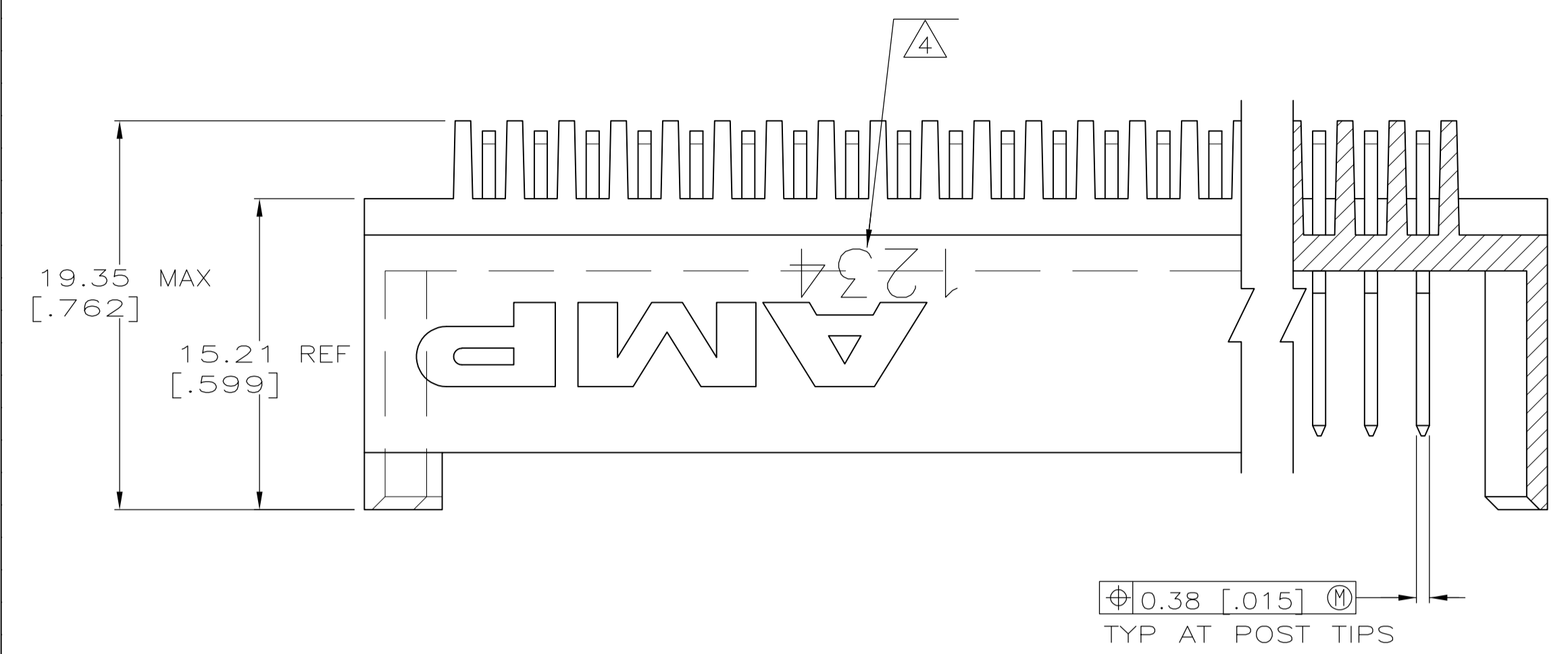
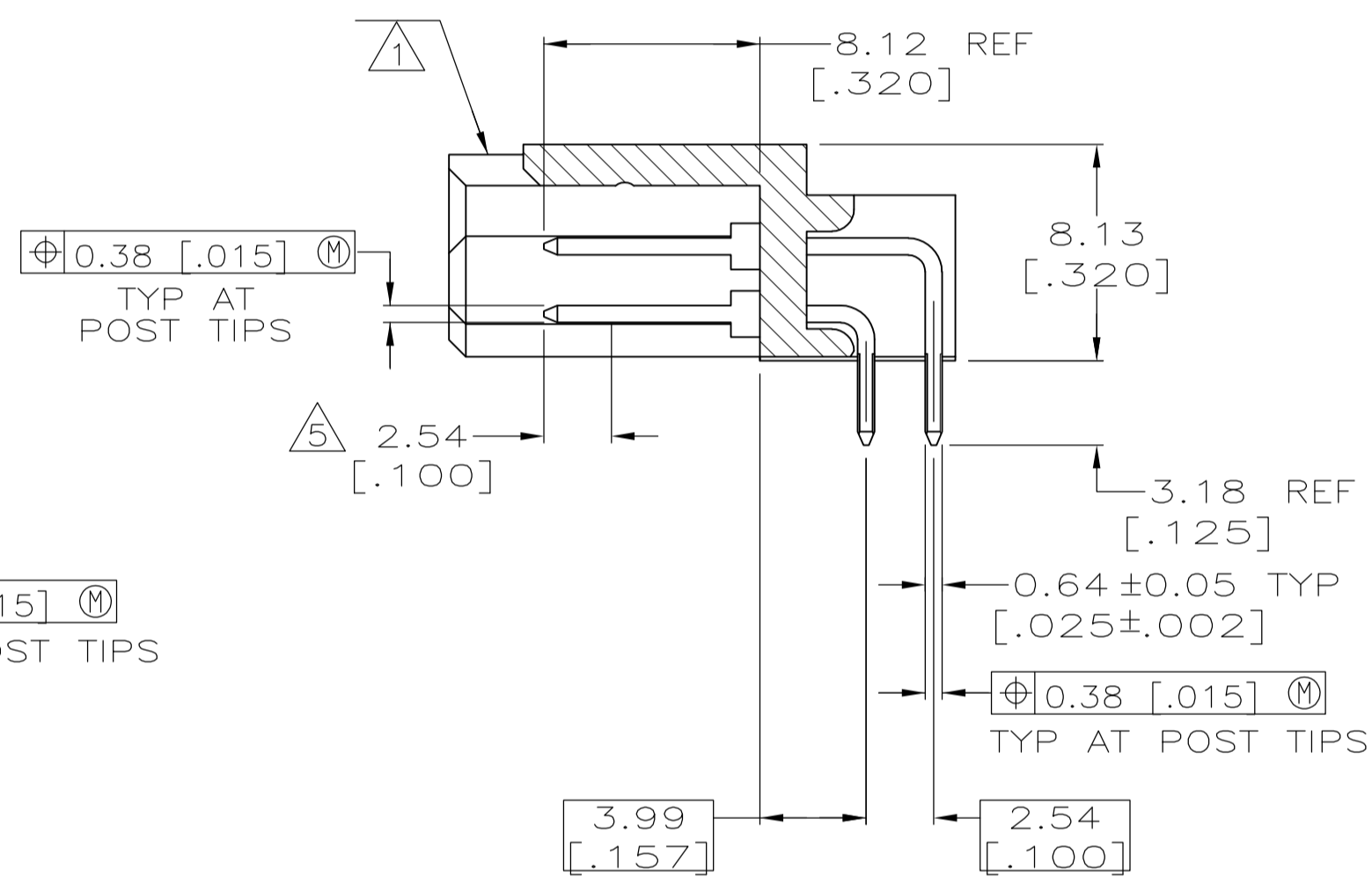


LOC		DIST		REVISIONS			
AD	39	REV	DATE	BY	CHK	APPV	
J1	ECO-05-7481		14FEB06	MB		JO	
J2	REVISED PER ECO-10-000443		12JAN09	KK		AEG	



RECOMMENDED P.C. BOARD HOLE LAYOUT



- 1 HOUSING: FLAME RETARDANT THERMOPLASTIC; COLOR: BLACK.
- 2 POST: PHOSPHOR BRONZE
- 3 POST FINISH: 0.00076 [.000030] GOLD ON CONTACT AREA, 0.00254 [.000100] MIN BRIGHT TIN-LEAD ON SOLDER LEADS, ALL OVER 0.00127 [.000050] NICKEL.
- 4 RECESSED DATE CODE.
- 5 POINT OF MEASUREMENT FOR GOLD PLATING THICKNESS.
- 6 CSA LOGO RECESS STAMPED ON HOUSING.
- 7 BOARD RETENTION FEATURE WHERE INDICATED.
- 8 POST FINISH: 0.00076 [.000030] GOLD ON CONTACT AREA, 0.00254 [.000100] MIN MATTE TIN ON SOLDER LEADS, ALL OVER 0.00127 [.000050] NICKEL.
- 9 ROHS 2002/95/EC COMPLIANT
- 10 OBSOLETE PARTS: OBSOLETE CIS STREAMLINING PER D.RENAUD/D.SINISI

OBSOLETE	8	2, 22, 43, 64	2, 22, 43, 64	172.72 [6.800]	64	130	9-6-534245-3
		2, 18, 37, 54	2, 18, 37, 54	147.32 [5.800]	54	110	9-6-534245-2
		2, 17, 33, 49	2, 17, 33, 49	134.62 [5.300]	49	100	9-6-534245-1
		2, 20, 39	2, 20, 39	109.22 [4.300]	39	80	9-6-534245-0
		2, 18, 34	2, 18, 34	96.52 [3.800]	34	70	9-5-534245-9
		4, 9, 14	4, 9, 14	53.34 [2.100]	17	36	9-5-534245-8
		5, 6, 7	5, 6, 7	38.10 [1.500]	11	24	9-5-534245-7
		4, 5, 6	4, 5, 6	33.02 [1.300]	9	20	9-5-534245-6
		2, 3, 4	2, 3, 4	22.86 [.900]	5	12	9-5-534245-5
		3, 4, 5	3, 4, 5	27.94 [1.100]	7	16	9-5-534245-4
OBSOLETE	3	2, 20, 40, 59	2, 20, 40, 59	160.02 [6.300]	59	120	9-5-534245-3
		3, 8, 13	3, 8, 13	45.72 [1.800]	14	30	9-5-534245-2
		8, 13, 18	8, 13, 18	71.12 [2.800]	24	50	9-5-534245-1
		2, 22, 43, 64	2, 22, 43, 64	172.72 [6.800]	64	130	1-534245-3
		2, 18, 37, 54	2, 18, 37, 54	147.32 [5.800]	54	110	1-534245-2
		2, 17, 33, 49	2, 17, 33, 49	134.62 [5.300]	49	100	1-534245-1
		2, 20, 39	2, 20, 39	109.22 [4.300]	39	80	1-534245-0
		2, 18, 34	2, 18, 34	96.52 [3.800]	34	70	534245-9
		4, 9, 14	4, 9, 14	53.34 [2.100]	17	36	534245-8
		5, 6, 7	5, 6, 7	38.10 [1.500]	11	24	534245-7
OBSOLETE	10	4, 5, 6	4, 5, 6	33.02 [1.300]	9	20	534245-6
		2, 3, 4	2, 3, 4	22.86 [.900]	5	12	534245-5
		3, 4, 5	3, 4, 5	27.94 [1.100]	7	16	534245-4
		2, 20, 40, 59	2, 20, 40, 59	160.02 [6.300]	59	120	534245-3
		3, 8, 13	3, 8, 13	45.72 [1.800]	14	30	534245-2
		8, 13, 18	8, 13, 18	71.12 [2.800]	24	50	534245-1
		2, 22, 43, 64	2, 22, 43, 64	172.72 [6.800]	64	130	534245-3
		2, 18, 37, 54	2, 18, 37, 54	147.32 [5.800]	54	110	534245-2
		2, 17, 33, 49	2, 17, 33, 49	134.62 [5.300]	49	100	534245-1
		2, 20, 39	2, 20, 39	109.22 [4.300]	39	80	534245-0
FINISH		ROW M	ROW N	B	A	NO OF POSN	PART NUMBER
		BOARD RETENTION LOCATION					

10 SUPERSEDED BY 5-534245-8

10 OBSOLETE

10 OBSOLETE

10 OBSOLETE

THIS DRAWING IS A CONTROLLED DOCUMENT. **Tyco Electronics** Tyco Electronics Corporation, Harrisburg, PA 17105-3608

DATE: 2/15/91
 CHK: DOUG SARVER
 APPV: K.L.CLOUSER/UTA

NAME: HEADER ASSY, MOD II, DOUBLE ROW, 2.54 X 2.54 [.100 X .100] 0.64 [.025] SQ POST, RIGHT ANGLE, W/ GUIDE PINS & RETENTION FEATURE

PRODUCT SPEC: 1
 APPLICATION SPEC: 2

SIZE: A1
 CAGE CODE: 00779
 DRAWING NO: 534245

WEIGHT: -
 CUSTOMER DRAWING: -

SCALE: 4:1
 SHEET: 1 OF 1
 REV: J2

单击下面可查看定价，库存，交付和生命周期等信息

[>>TE Connectivity\(泰科\)](#)