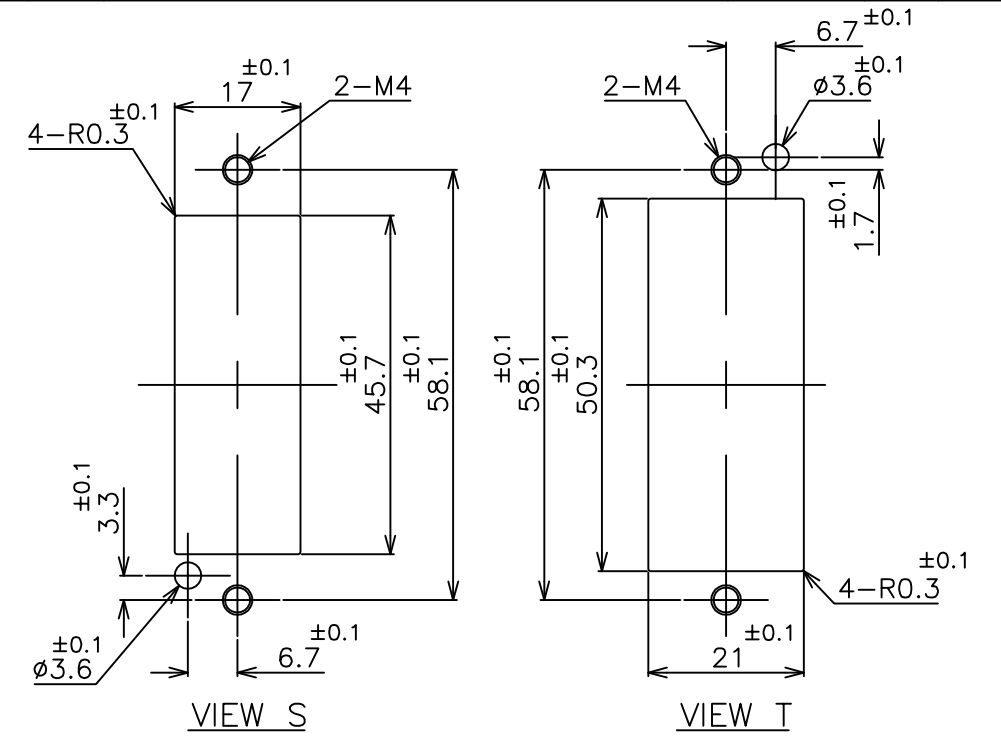
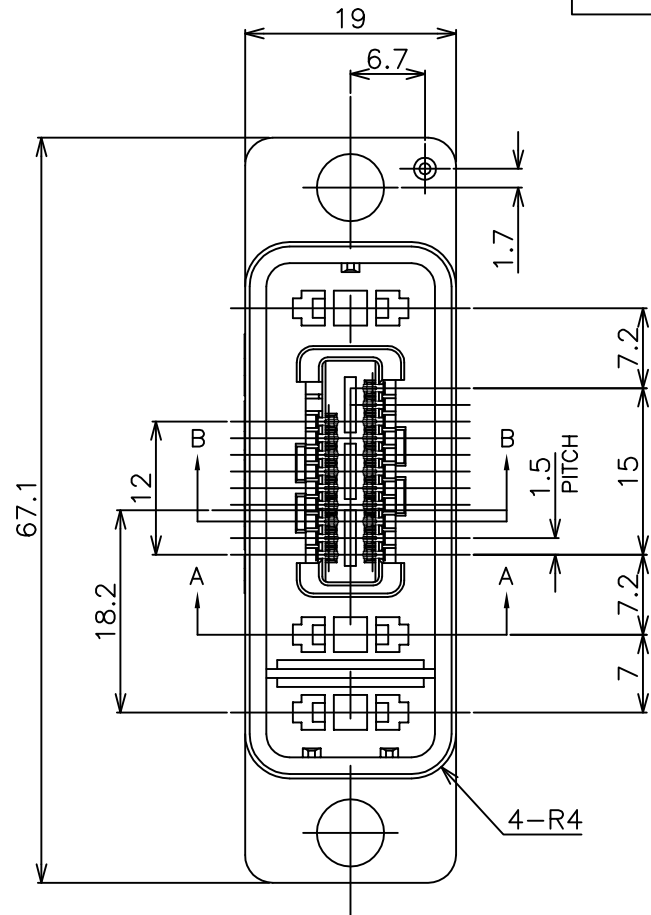
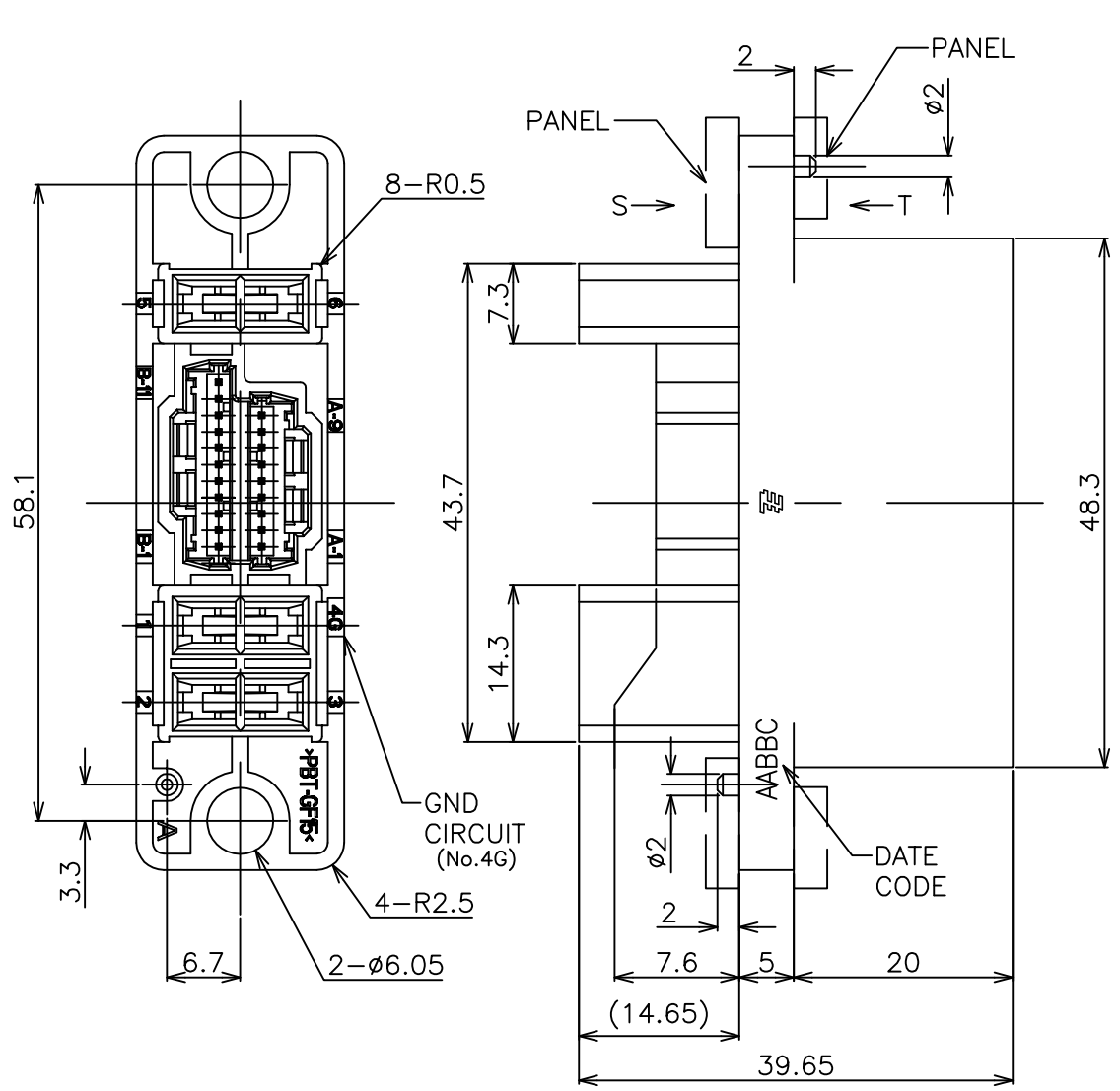


LOC		DIST		REVISIONS		
J		-		変更		
P	LTR	DESCRIPTION	DATE	DWN	APVD	
C		RELEASED ECR-13-015897	20140121	T.Q	W.H	



PANEL CUT DIMENSIONS (CONNECTOR MATING SIDE)

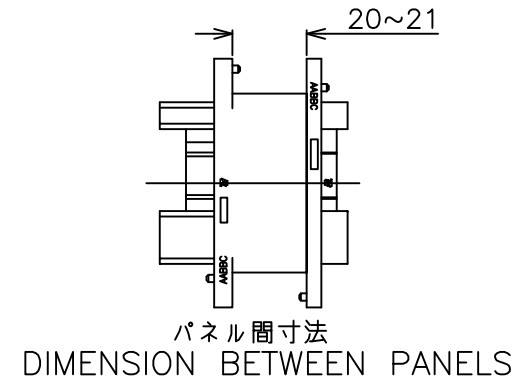
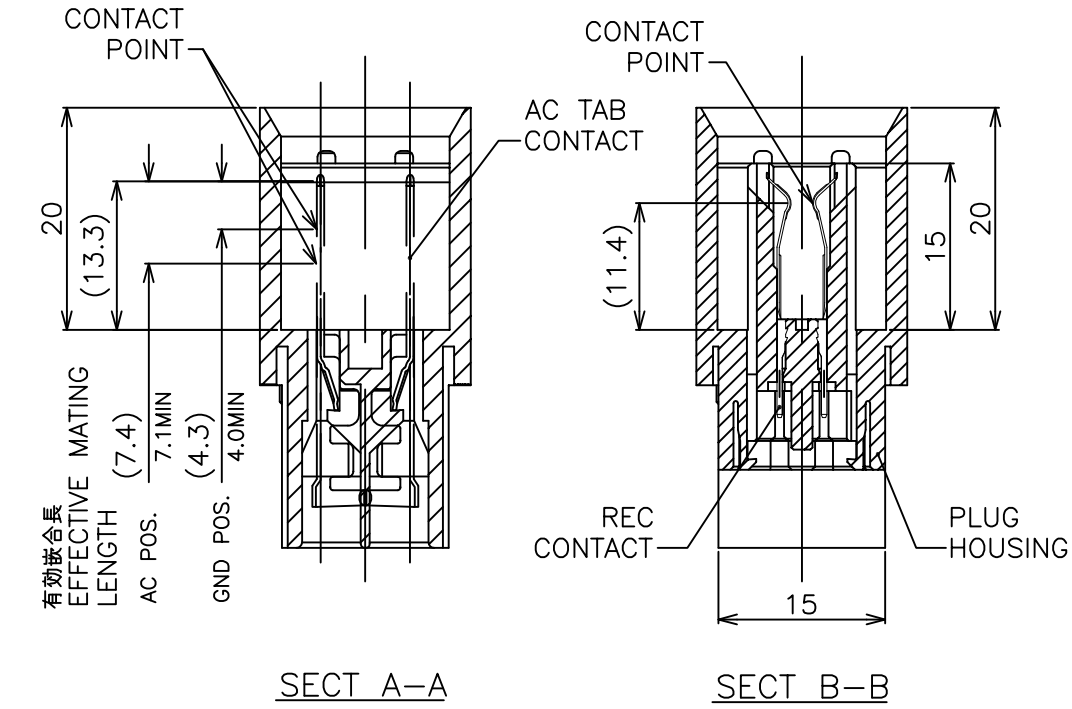
NOTE:
 1. USE WITH MOUNTING RECEPTACLE P/N: X-353293-X
 CRIMP HOUSING P/N: X-353908-X
 CRIMP CONTACT P/N: 353907-1
 353918-1(L/P)

2. APPLICABLE POWER CONTACT P/N

FINISH	AWG	STRIP
GOLD PL. & TIN-LEAD PL.	#16-20	0-179321-2
GOLD PL. & TIN PL.	#16-20	0-179321-3
TIN PL.	#20-24	0-179322-3
ALL TIN PL.	#16-20	1-179321-2
	#20-24	1-179322-2

- △ MATERIAL;
HOUSING : PBT G.F. UL94V-0 COLOR:BLACK
SIGNAL CONTACT : PHOSPHOR BRONZE
- △ CONTACT FINISH;
DRAWER CONTACT AREA : NICKEL PL. ALL OVER GOLD PL.
POST AREA : NICKEL PL. ALL OVER TIN PL.
- △ P : NUMBER OF POWER CONTACT (UNASSEMBLED)
S : NUMBER OF SIGNAL CONTACT (ASSEMBLED)
- 6. COUNTER MATING CONNECTOR P/N : 2-1674755-0
- 7 FLOATING DIMENSION : ±1.0 MAX (INCLUDE THE AMOUNT OF AXIAL GAPS)
- △ GENERAL TOLERANCE
10 ≥ ±0.2
30 ≥ >10 : ±0.25
100 ≥ >30 : ±0.3
ANGLES : ±3°

6-20	2-1674754-0
極数 POS. (P-S)	型番 P/N



THIS DRAWING IS A CONTROLLED DOCUMENT.		DWN	10MAR03
		H.HOSHINO	
		CHK	10MAR03
		T.KUSUHARA	
		APVD	10MAR03
		H.MURAMATSU	
DIMENSIONS: 単位: 耗 mm		PRODUCT SPEC 製品規格	108-5882
TOLERANCES UNLESS OTHERWISE SPECIFIED: 一般公差		APPLICATION SPEC 取付適用規格	
0 PLC	±	SIZE	A3
1 PLC	±	CAGE CODE	00779
2 PLC	±	DRAWING NO	C=1674754
3 PLC	±	RESTRICTED TO	-
4 PLC	±	WEIGHT	23.1g
ANGLES	±	CUSTOMER DRAWING	
MATERIAL 材料	FINISH 仕上	SCALE	NON
		SHEET	1 OF 1
		REV	C

TE TE Connectivity

PLUG ASSEMBLY
 MINI CT HYBRID DRAWER CONNECTOR
 AC6DC20 TYPE

单击下面可查看定价，库存，交付和生命周期等信息

[>>TE Connectivity\(泰科\)](#)