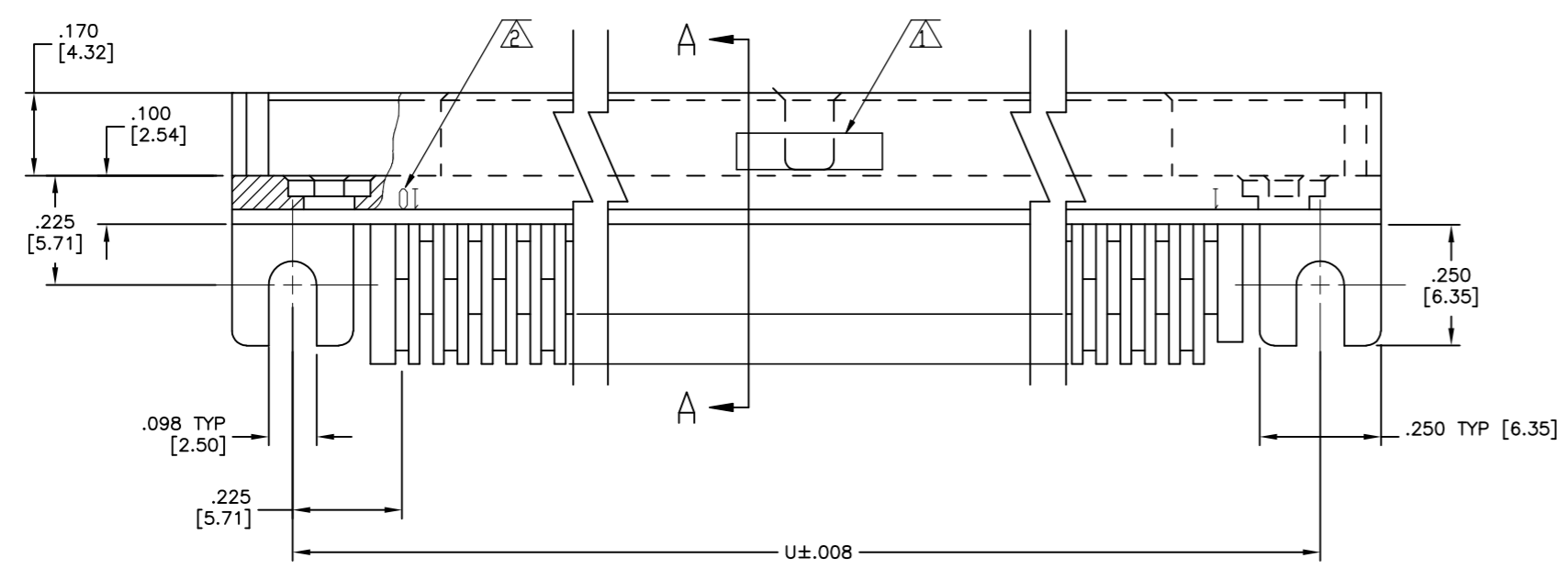
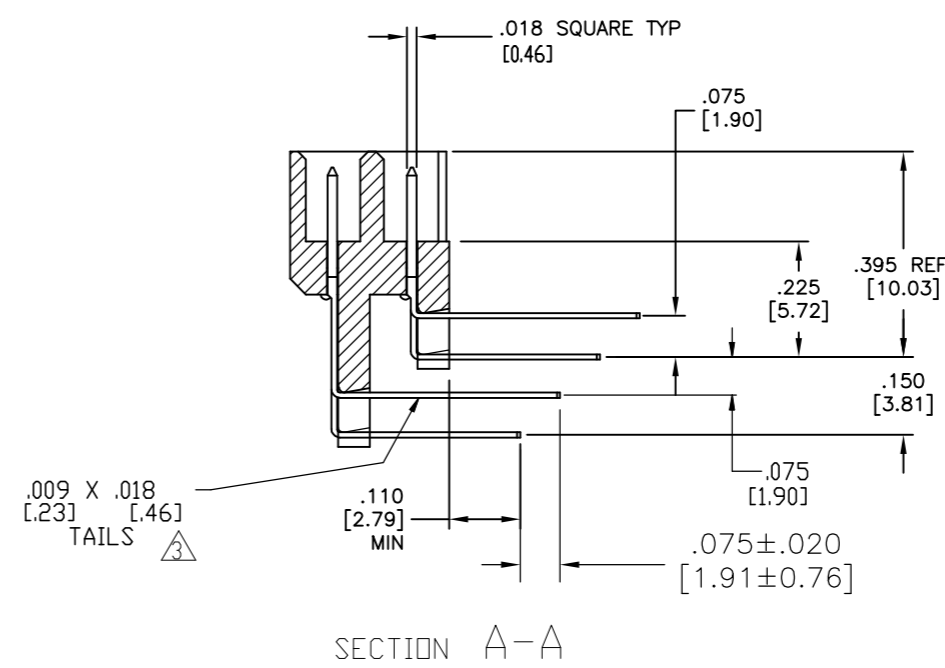
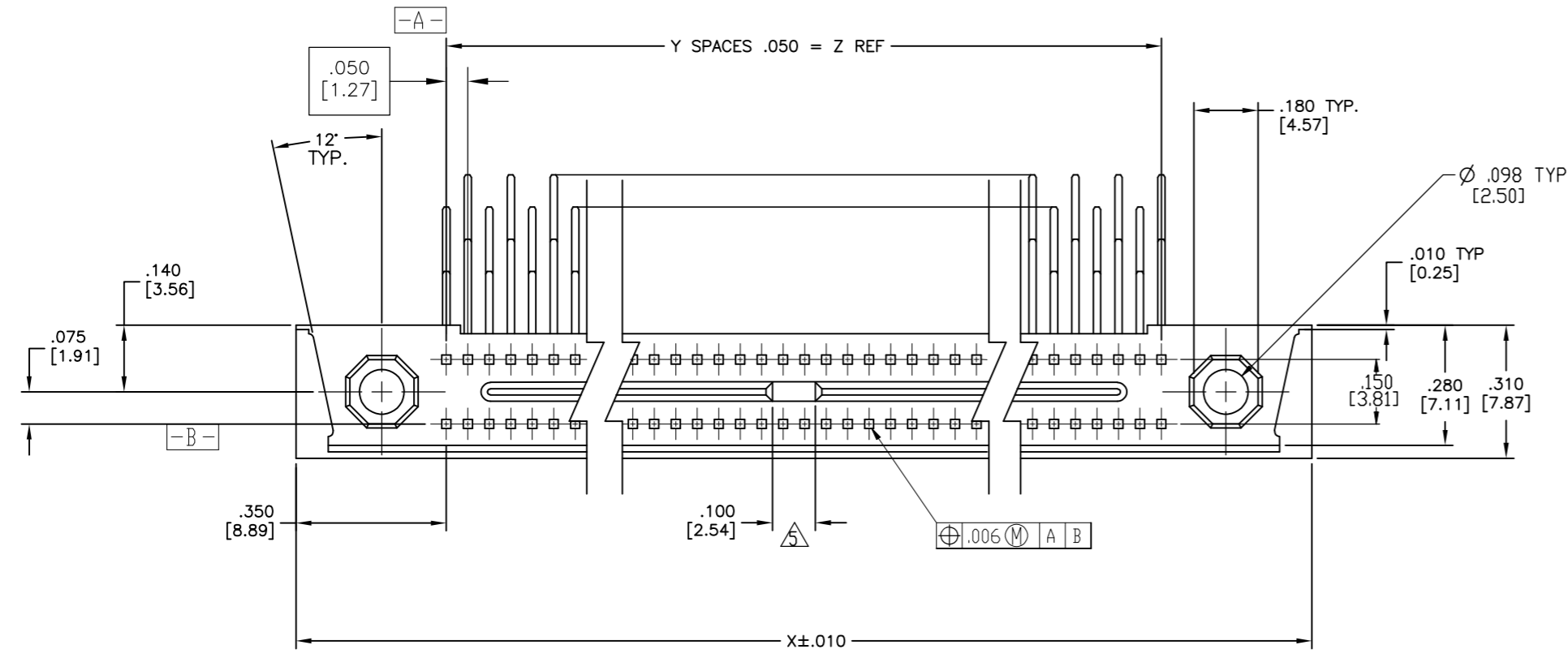
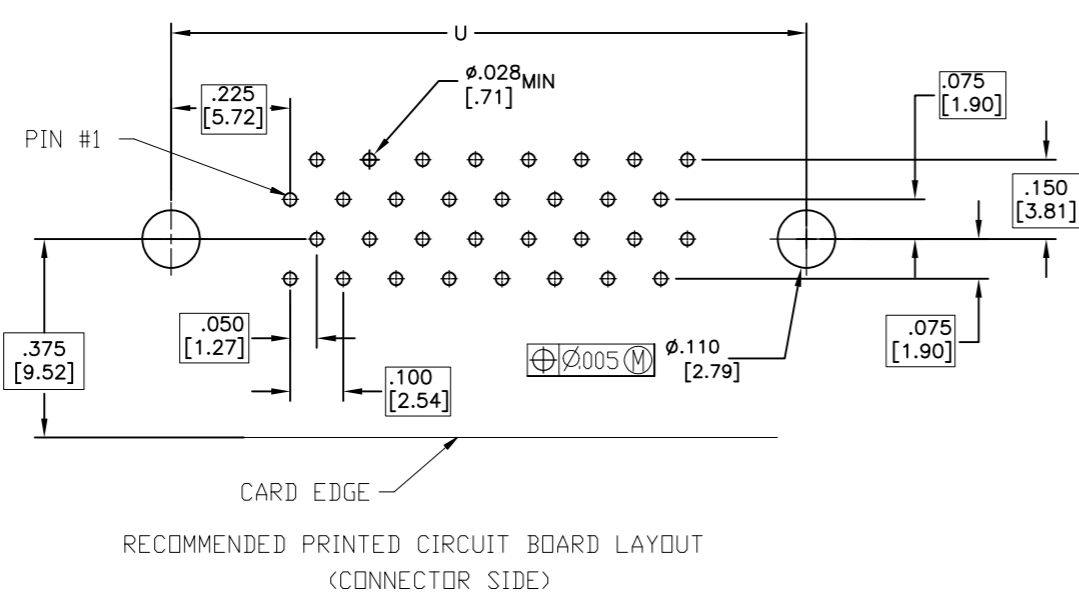


THIS DRAWING IS UNPUBLISHED. RELEASED FOR PUBLICATION
 © COPYRIGHT - By - ALL RIGHTS RESERVED.

REVISIONS				
P	LTR	DESCRIPTION	DATE	APVD
F		REV PER ECO 16-007588	6-13-16	CT RL



- △ MARK AMP, PART NO., DATE CODE
- △ NUMBERS INDICATING END POSITIONS MARKED THIS SIDE ONLY.
- △ .000030 GOLD IN CONTACT AREA, SELECTIVE OVER NICKEL TIN ON CONTACT TAILS. CONTACT MATL: BRASS.
- △ HOUSING MATERIAL: LIQUID CRYSTAL POLYMER PER MIL-M-24519, GLCP-30F; COLOR: GRAY.
- △ FEATURE NOT PRESENT IN 20 THRU 50 POSITION.



1-10	.450 [11.43]	9	1.150 [29.21]	.900 [22.86]	20	1-530733-1
1-15	.700 [17.78]	14	1.400 [35.56]	1.150 [29.21]	30	1-530733-0
1-64	3.150 [80.01]	63	3.850 [97.79]	3.600 [91.44]	128	530733-9
1-55	2.700 [68.58]	54	3.400 [86.36]	3.150 [80.01]	110	530733-8
1-50	2.450 [62.23]	49	3.150 [80.01]	2.900 [73.66]	100	530733-7
1-45	2.200 [55.88]	44	2.900 [73.66]	2.650 [67.31]	90	530733-6
1-40	1.950 [49.53]	39	2.650 [67.31]	2.400 [60.96]	80	530733-5
1-35	1.700 [43.18]	34	2.400 [60.96]	2.150 [54.61]	70	530733-4
1-30	1.450 [36.83]	29	2.150 [54.61]	1.900 [48.26]	60	530733-3
1-25	1.200 [30.48]	24	1.900 [48.26]	1.650 [41.91]	50	530733-2
1-20	.950 [24.13]	19	1.650 [41.91]	1.400 [35.56]	40	530733-1
△ Z	Y	X	U	NO OF CONTACTS	PART NO.	

THIS DRAWING IS A CONTROLLED DOCUMENT.

DWN T.WIEST 9-12-89
 CHK D.GUTTER 11-20-91
 APVD D.GUTTER 11-20-91

DIMENSIONS: INCHES
 TOLERANCES UNLESS OTHERWISE SPECIFIED:
 0 PLC ± -
 1 PLC ± -
 2 PLC ± -
 3 PLC ± -
 4 PLC ± -
 ANGLES ± -

MATERIAL 4 FINISH 3

TE Connectivity
 ASSEMBLY, PIN HEADER, MINI-BOX RIGHT ANGLE

SIZE A2 CAGE CODE 00779 DRAWING NO C=530733 RESTRICTED TO -
 WEIGHT 0 SCALE NTS SHEET 1 OF 1 REV F
 CUSTOMER DRAWING

530733

单击下面可查看定价，库存，交付和生命周期等信息

[>>TE Connectivity\(泰科\)](#)