

6

5

4

3

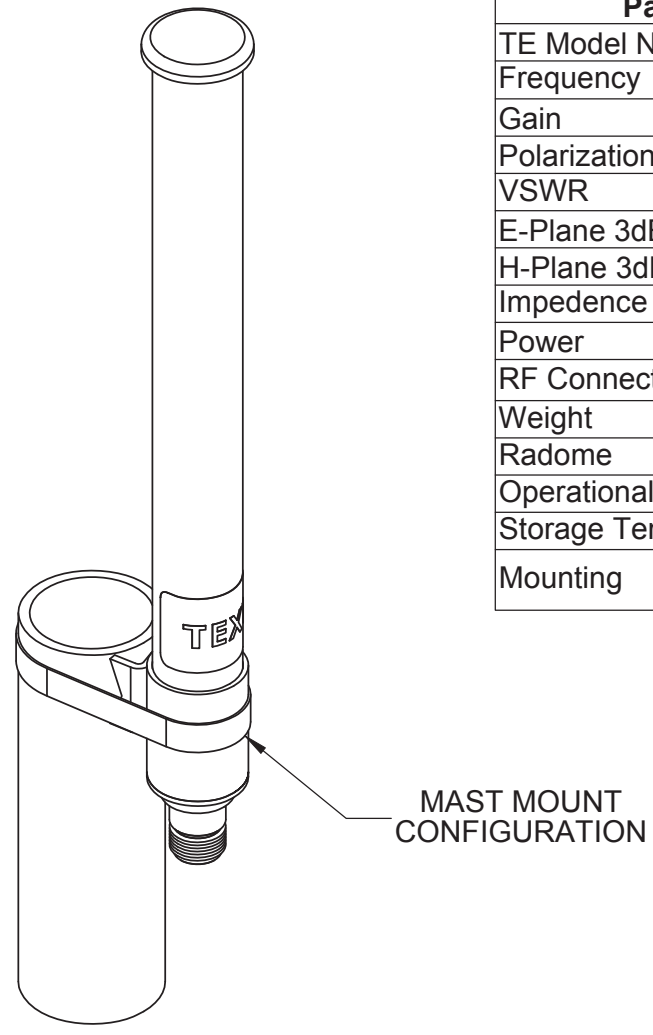
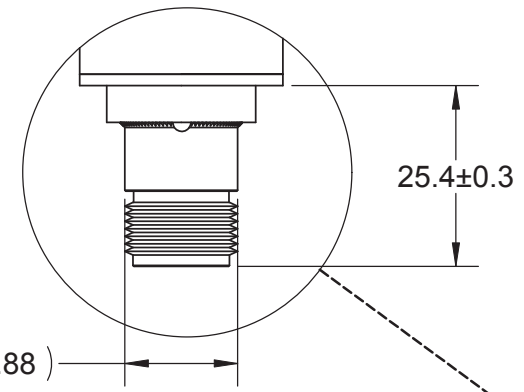
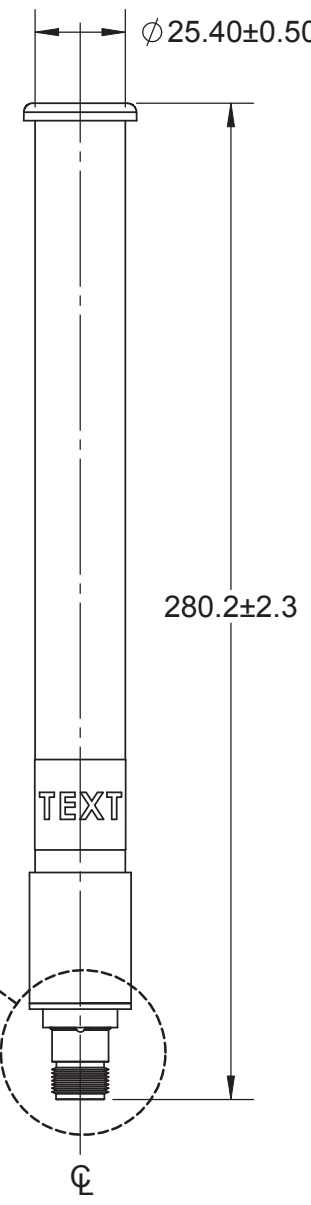
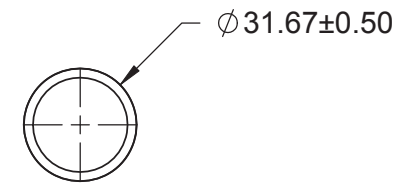
2

1

REVISIONS					
REV.	ECR#	ZONE	DESCRIPTION	CHANGED BY/DATE	APPROVED BY/DATE
AA			INITIAL RELEASE	K.S. 04-29-11	K.S. 04-29-11

D

D



Parameter	Performance
TE Model Number	OC24527-FNF
Frequency	2400-2500MHz / 5150-5875MHz
Gain	4.5dBi / 8dBi
Polarization	Linear, Vertical
VSWR	2.0:1, Typical
E-Plane 3dB Beamwidth	25° / 14°
H-Plane 3dB Beamwidth	Omnidirectional
Impedence	50 Ohms
Power	10 Watts
RF Connector	Type N, Female, Fixed, Tri-Metal
Weight	0.15 kg W/out Hardware Kit
Radome	Polycarbonate, UV, White
Operational Temperature	-30°C to +70°C
Storage Temperature	-40°C to +85°C
Mounting	Connector Fixed or Mast Mount Kit, Upright and Inverted Orientation

C

C

B

B

A

A

THIS DRAWING IS UNPUBLISHED.      RELEASED FOR PUBLICATION -,-  
 © Copyright 2022 TE Connectivity Ltd.      ALL RIGHTS RESERVED.

MATERIAL: N/A		THIRD ANGLE PROJECTION			
FINISH: N/A					
APPROVALS		DATE		TITLE: OC24527-FNF	
DRAWN BY	K. SEARL	10-14-10		INTERPRET DIMENSIONING AND TOLERANCING IN ACCORDANCE WITH ASME Y14.5M-2009	
PROJ. ENG.				TOLERANCES UNLESS OTHERWISE SPECIFIED	
APPL. MECH.				DIMENSIONS ARE IN MILLIMETERS	
MFG.				ANGLE: ±30° 0 PLACE DECIMAL: ±0.5 1 PLACE DECIMAL: ±0.25 2 PLACE DECIMAL: ±0.13 SURFACE ROUGHNESS 1.6	
		SIZE	DWG. NO.	REV	
		<b>A3</b>	OC24527-FNFMO	AA	
		SCALE: 1:2	PREVIOUS#	SHEET 1 OF 1	

6

4

3

2

1

单击下面可查看定价，库存，交付和生命周期等信息

[>>TE Connectivity\(泰科\)](#)