

THIS DRAWING IS UNPUBLISHED.

RELEASED FOR PUBLICATION

ALL RIGHTS RESERVED.

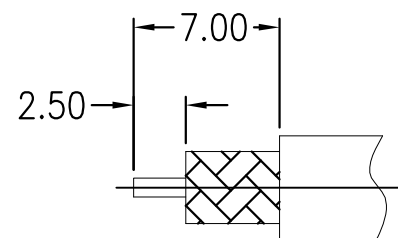
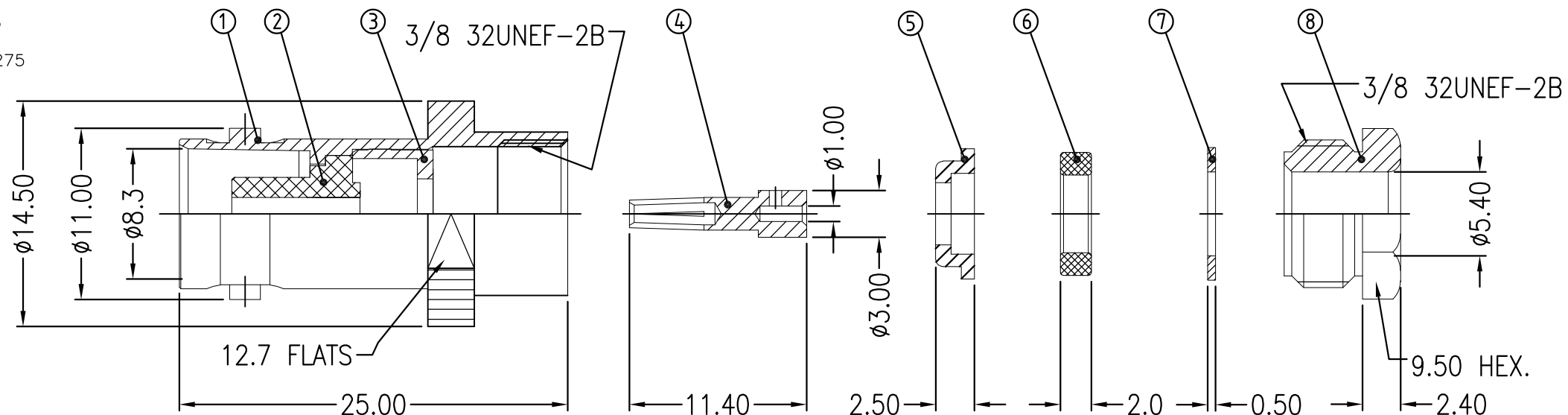
© COPYRIGHT - By -

REVISIONS

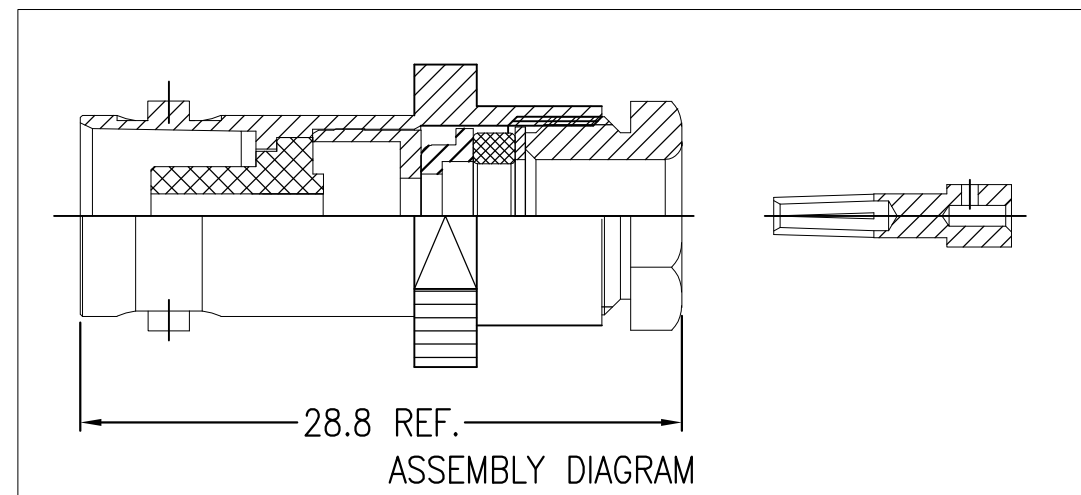
P	LTR	DESCRIPTION	DATE	DWN	APVD
C		REVISED PER ECR-16-013330	20APR2017	BW	RS

NOTES:

- ① SINGLE PACK IN ACCORDANCE WITH AMP SPEC 107-3275
- ② 100 TRAY PACK IN ACCORDANCE WITH AMP SPEC 107-3275
- ③ Ag PLATING
- ④ THIS ITEM MUST BE WHITE
- 5. REFERENCE INSTRUCTION SHEET : 411-3274



RECOMMENDED CABLE STRIPPING DIM'S



ASSEMBLY DIAGRAM

QTY	QTY PER ASSY	MATERIAL	DESCRIPTION	ITEM
1	1	BRASS	NUT	8
1	1	BRASS	WASHER	7
1	1	SILICON RUBBER	GASKET	6
1	1	BRASS	LOCK RING	5
1	1	PHOSPHOR BRONZE	CONTACT	4
1	1	BRASS	RING	3
1	1	PTFE	INSULATION	2
1	1	BRASS	BODY	1
6--0	1--0			
△	△			
QUANTITY PER ASSY		PARTS LIST		

THIS DRAWING IS A CONTROLLED DOCUMENT.		DWN BILL WONG 20APR2017	STE TE Connectivity	
DIMENSIONS: mm		CHK ROGER SONG 20APR2017		
TOLERANCES UNLESS OTHERWISE SPECIFIED:		APVD ROGER SONG 20APR2017	NAME BNC STRAIGHT JACK SOLDER(PS) RG58 50 OHM	
0 PLC ± -		PRODUCT SPEC	-	
1 PLC ± -		APPLICATION SPEC	-	
2 PLC ± -		WEIGHT	0	
3 PLC ± -		CUSTOMER DRAWING		
4 PLC ± -		SCALE	1:1	
ANGLES ± -		SHEET	1 OF 1	
FINISH -		RESTRICTED TO	-	REV C
MATERIAL -		SIZE	A3	
		CAGE CODE	00779	
		DRAWING NO	C-1478409	

单击下面可查看定价，库存，交付和生命周期等信息

[>>TE Connectivity\(泰科\)](#)