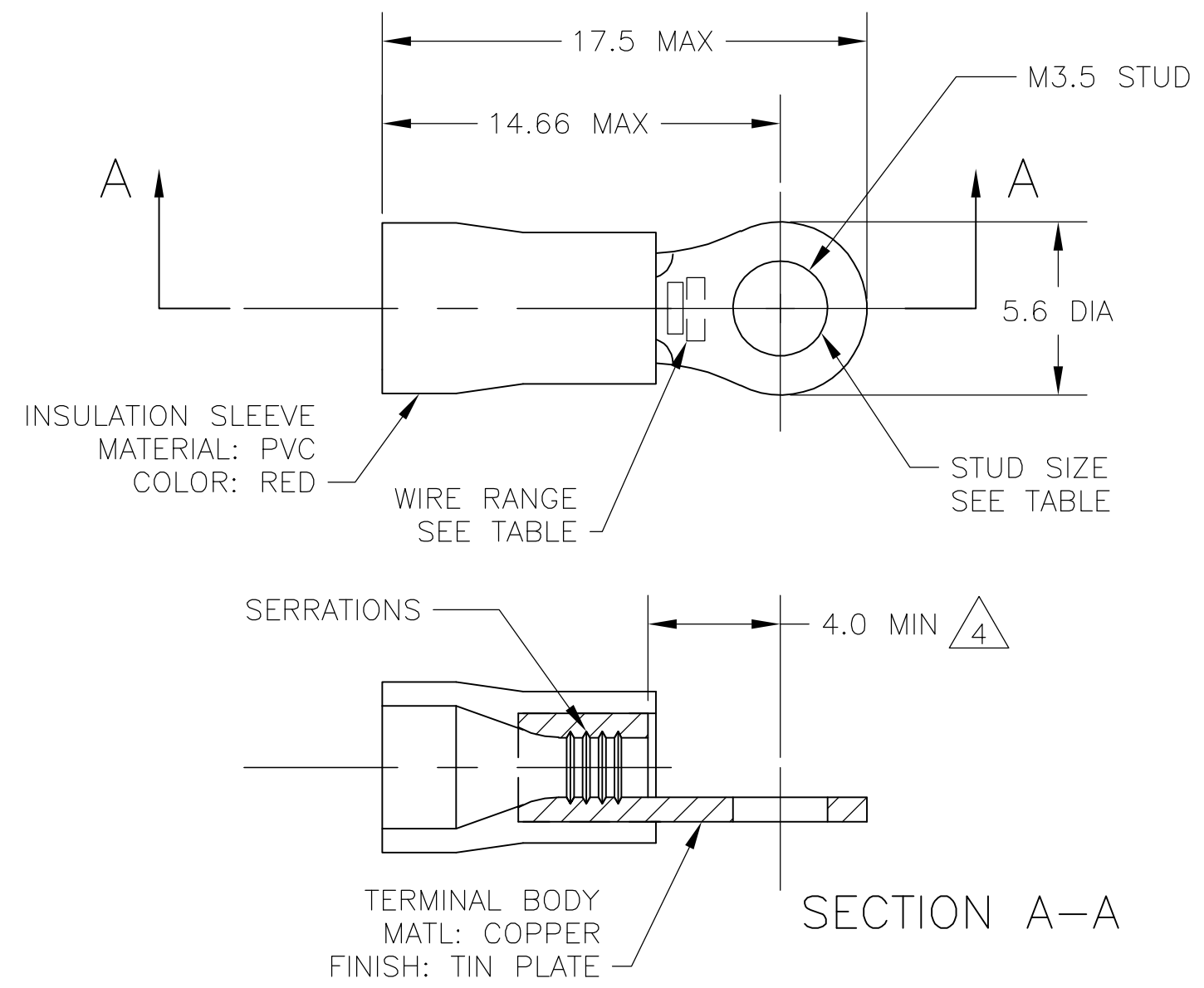


THIS DRAWING IS UNPUBLISHED. RELEASED FOR PUBLICATION
 © COPYRIGHT BY TYCO ELECTRONICS CORPORATION. ALL RIGHTS RESERVED.

LOC	DIST	REVISIONS			
P	LTR	DESCRIPTION	DATE	DWN	APVD
G	02	R1	REV PER ECR-06-001930	13DEC06	HMR TM



- 1 WIRE SIZE IS 22-16 AWG
- 2 WIRE INSULATION DIA: 2.7-3.6
- 3 MATERIAL THICKNESS IS 0.8
- 4 DIMENSION APPLIES FROM EDGE OF METAL WIRE BARREL TO END OF PIN.
- 5 SUPERSEDED BY 342102-1

POLY BAG WITH HEADER	STANDARD	100	5	7-342102-1
PLASTIC BOX	STANDARD	100	5	6-342102-1
TAPED MOUNTED	STANDARD	5000		2-342102-1
PLASTIC BAG	STANDARD	100		342102-1
PACKAGING	LABELLING	QTY		PART NO

THIS DRAWING IS A CONTROLLED DOCUMENT.		DWN jr ruth 02DEC05	Tyco Electronics Corporation Harrisburg, PA 17105-3608	
DIMENSIONS: INCHES		CHK T MICHIELUTTI 02DEC05		
TOLERANCES UNLESS OTHERWISE SPECIFIED:		APVD T MICHIELUTTI 02DEC05	NAME	
0 PLC ± - 1 PLC ± 0.5 2 PLC ± - 3 PLC ± - 4 PLC ± - ANGLES ± 1°		PRODUCT SPEC	TERMINAL, RING TONGUE, PLASTI-GRIP, - -	
MATERIAL		APPLICATION SPEC	SIZE A2	CAGE CODE 00779
FINISH		WEIGHT -	DRAWING NO C=342102	RESTRICTED TO -
CUSTOMER DRAWING			SCALE 5:1	SHEET 1 of 1
			REV R1	

单击下面可查看定价，库存，交付和生命周期等信息

[>>TE Connectivity\(泰科\)](#)