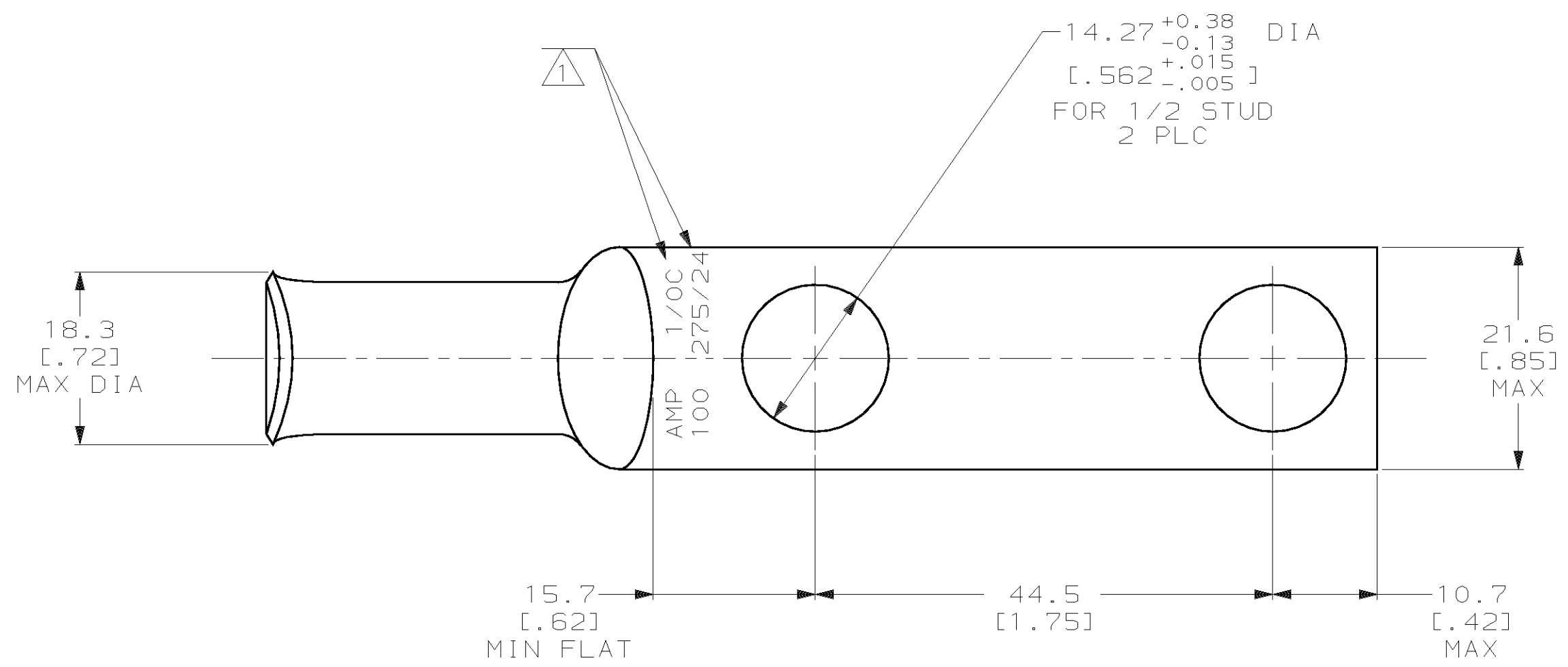


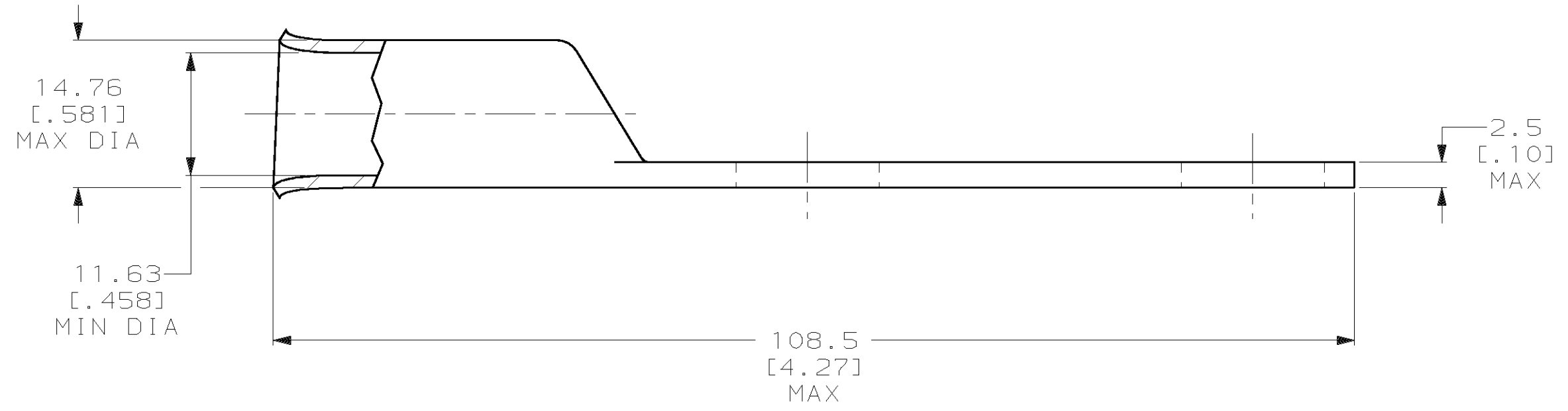
THIS DRAWING IS UNPUBLISHED. RELEASED FOR PUBLICATION, 19 .
 © COPYRIGHT 19 BY AMP INCORPORATED. ALL INTERNATIONAL RIGHTS RESERVED.

LOC		DIST		P		F		ZONE		LTR		REVISIONS		DATE	APPD	
G		86											E	REV PER 0G3A-0561-01	030CT02	JR/MS

METRIC
 DIMENSIONS LISTED IN mm [INCHES]



① STAMP AMP 1/0C 100 275/24 APPROX AS SHOWN



53680

53680-2
 PART NO

AMP INCORPORATED
CUSTOMER SERVICE SYSTEMS

MAX RECOMMENDED OPERATING TEMPERATURE:
 170°C MAX

DO NOT SCALE PRINT. UNLESS SPECIFIED DIMENSIONS IN mm [INCHES]
 TOLERANCES ON:
 2 PLC DEC ± 0.20 [.008]
 3 PLC DEC ± -
 ANGLES ± -

DR 30AUG94 DK SCHRUM
 CHK 31AUG94 AJ KAUFMAN
 APPD 31AUG94 RE ROSER
 APPD 31AUG94 JL MECKLEY

AMP AMP Incorporated
 Harrisburg, PA 17105-3608

FOR ADDITIONAL PRODUCT INFORMATION OR COPIES OF DRAWINGS AND TECHNICAL DOCUMENTS

PRODUCT INFORMATION CENTER
 1-800-522-6752

VOLTAGE RATING:
 NOT APPLICABLE

MATERIAL
 COPPER PER ASTM B-75 ANNEALED

PRODUCT SPEC
 -

NAME
 TERMINAL, AMPOWER,
 WIRE SIZE: 1/0 AWG

FOR APPLICATION TOOLING INFORMATION

TOOLING ASSISTANCE CENTER
 1-800-722-1111

CIRCULAR MIL AREA:
 42.41-60.55mm² [83,700-119,500] CIR MILS STRANDED

FINISH
 TIN PLATE
 0.00381 [.000150] MIN THK PER MIL-T-10727

APPLICATION SPEC
 -

SIZE CAGE CODE DRAWING NO
 C 00779 C=53680

FOR ORDER ENTRY

1-800-526-5142

THIS DRAWING IS A CONTROLLED DOCUMENT FOR AMP INCORPORATED. IT IS SUBJECT TO CHANGE AND THE CONTROLLING ENGINEERING ORGANIZATION SHOULD BE CONTACTED FOR THE LATEST REVISION.

WEIGHT
 -

SCALE 2:1 SHEET 1 OF 1

单击下面可查看定价，库存，交付和生命周期等信息

[>>TE Connectivity\(泰科\)](#)