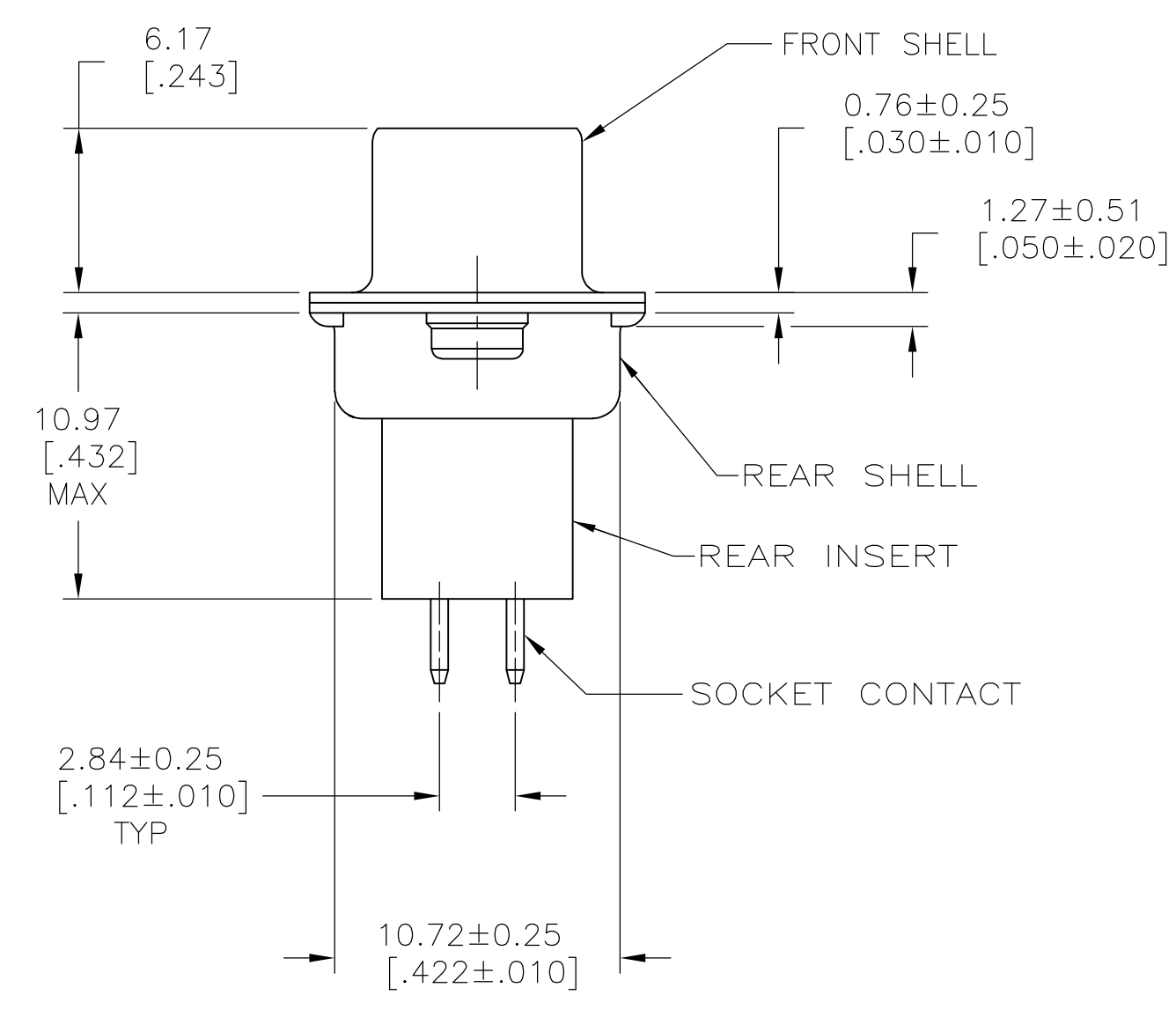
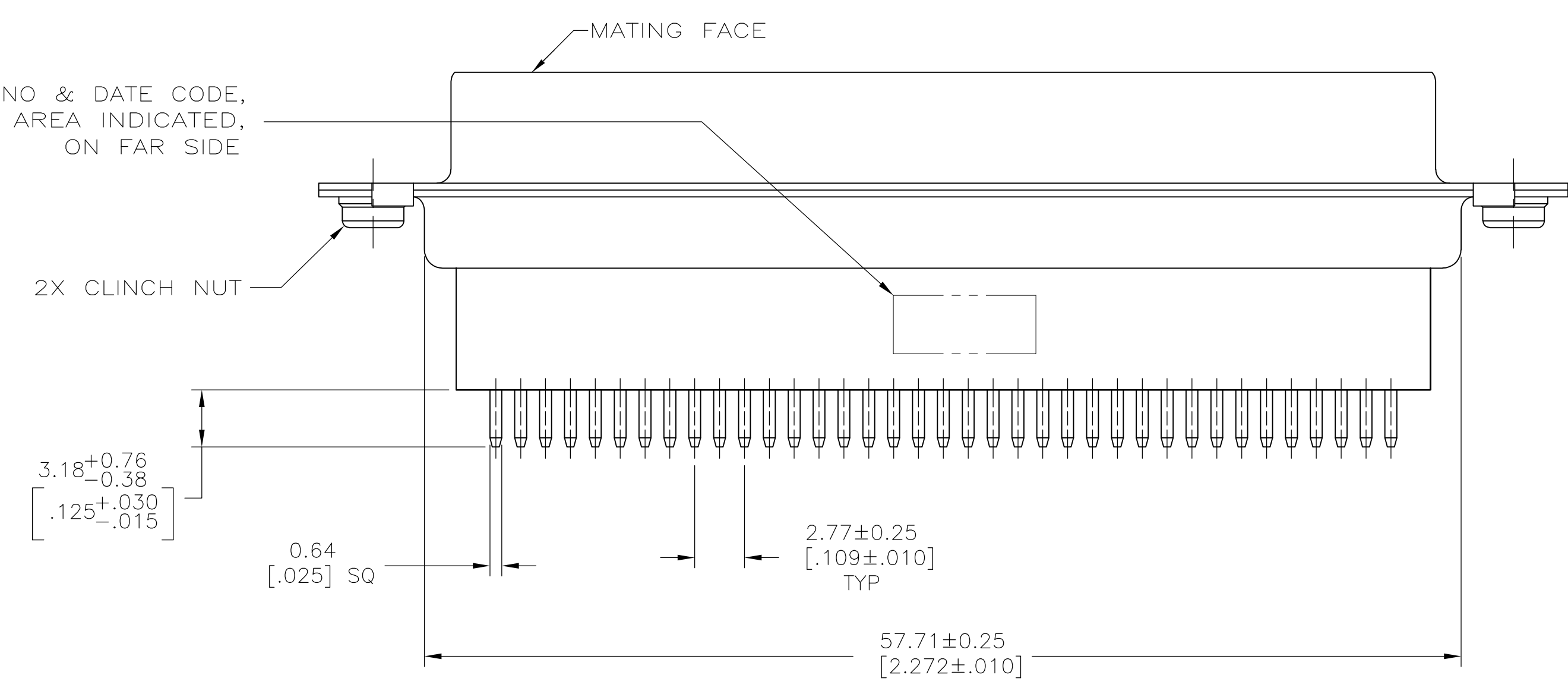


P.C. BOARD MOUNTING DIMENSIONS

TYCO, PART NO & DATE CODE, MARKED IN AREA INDICATED, ON FAR SIDE



- ⚠ MOLDED PARTS: GLASS-FILLED PBT OR GLASS-FILLED NYLON, UL94V-0 RATED. COLOR: BLACK. CLINCH NUTS & SHELLS: CARBON STEEL. CONTACTS: PHOS BRONZE.
- ⚠ CLINCH NUTS: 5.08µm [.000200] MIN ZINC WITH CLEAR CHROMATE COATING. SHELLS: 5.08µm [.000200] MIN TIN OVER 2.54µm [.000100] MIN COPPER. CONTACTS: 0.76µm [.000030] MIN GOLD ON MATING END, 2.54µm [.000100] MIN TIN ON SOLDER END, BOTH OVER 1.27µm [.000050] MIN NICKEL. -OR- GOLD FLASH OVER PALLADIUM-NICKEL 0.76µm [.000030] MIN TOTAL ON MATING END, 2.54µm [.000100] MIN TIN ON SOLDER END, BOTH OVER 1.27µm [.000050] MIN NICKEL.

5747315-1  
PART NUMBER

THIS DRAWING IS A CONTROLLED DOCUMENT.		DIN B LATTUCA 23SEPT05	TE Connectivity
DIMENSIONS: mm [INCHES]		CHK S BOLASH 23SEPT05	
TOLERANCES UNLESS OTHERWISE SPECIFIED:		APPD M WALMSLEY 23SEPT05	NAME
0 PLC ± -	1 PLC ± -	PRODUCT SPEC	RECEPTACLE ASSY, SIZE 4,
2 PLC ± ± 0.13 [.005]	3 PLC ± -	APPLICATION SPEC	37 POS. VERTICAL, W/CLINCH
4 PLC ± -	ANGLES ± °	114-40013	AMPLIMITE HDP
MATERIAL	FINISH	SIZE	CAGE CODE
1	2	A1	00779
CUSTOMER DRAWING		DRAWING NO	5747315
		RESTRICTED TO	-
		SCALE	NTS
		SHEET	1 OF 1
		REV	D

单击下面可查看定价，库存，交付和生命周期等信息

[>>TE Connectivity\(泰科\)](#)