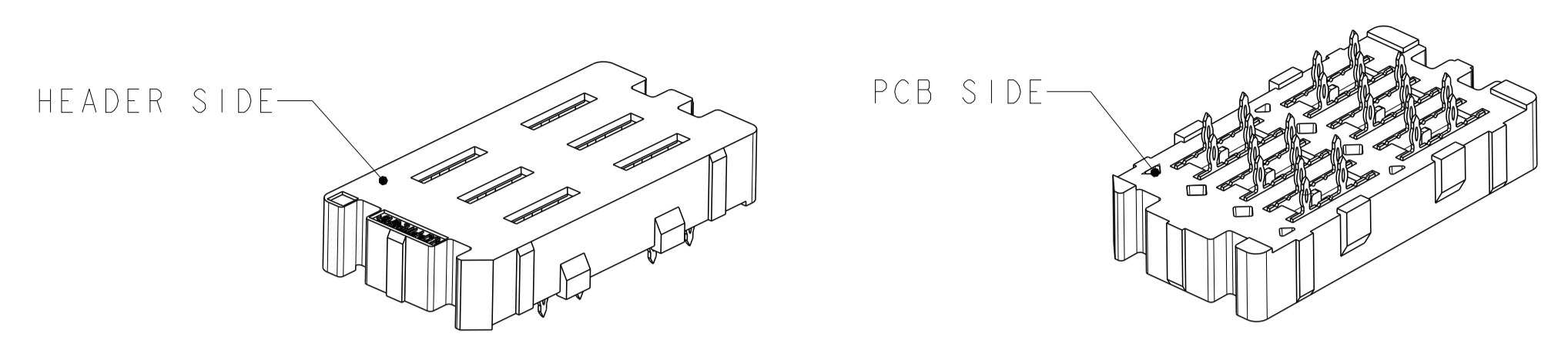
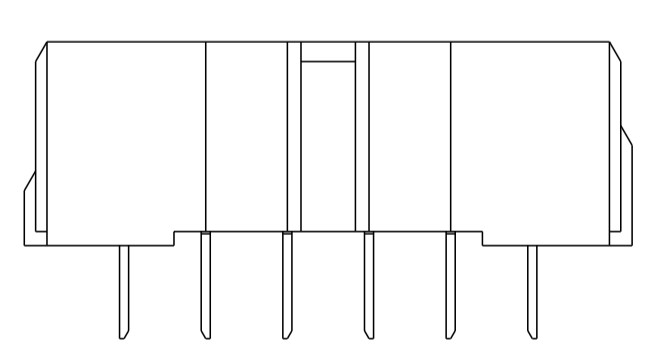
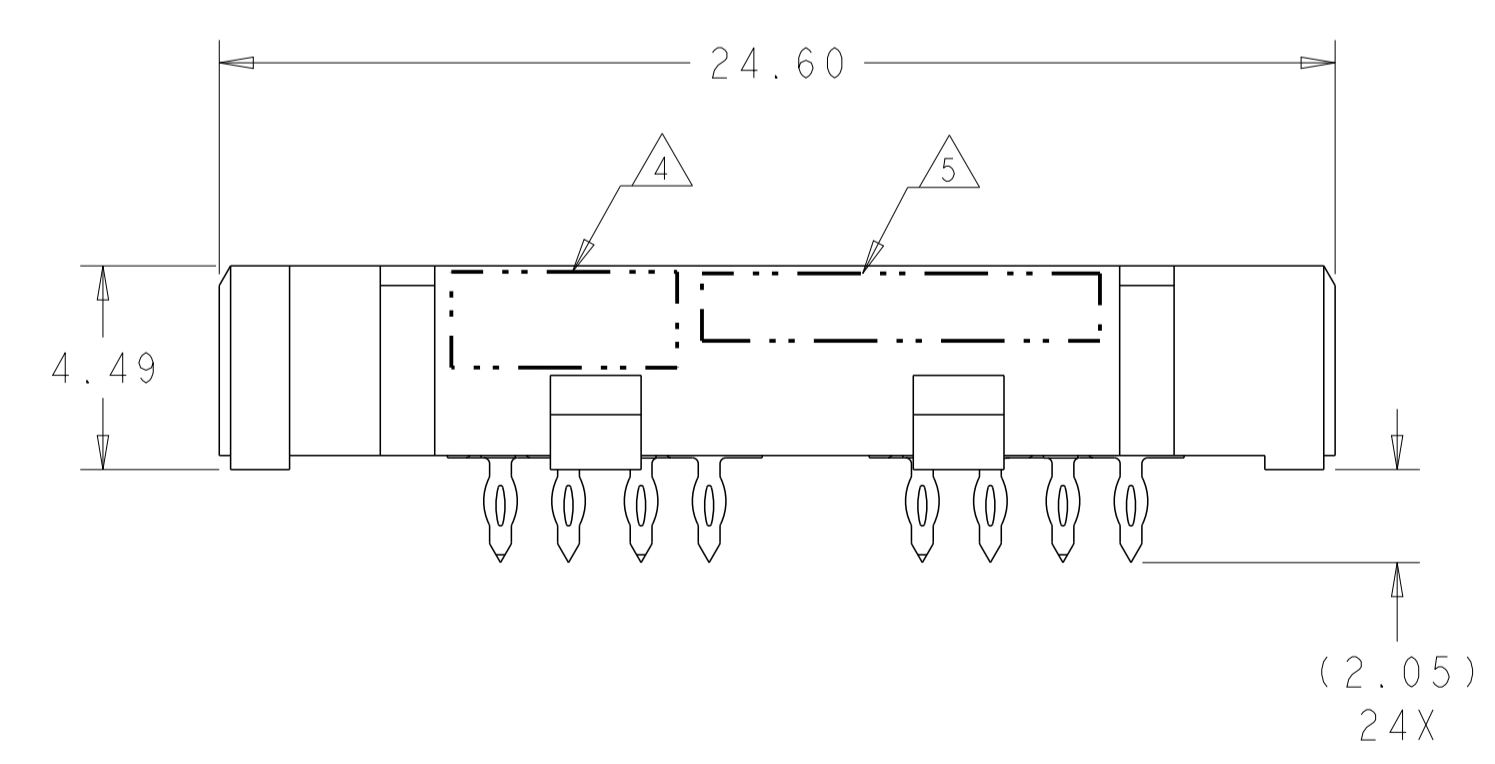
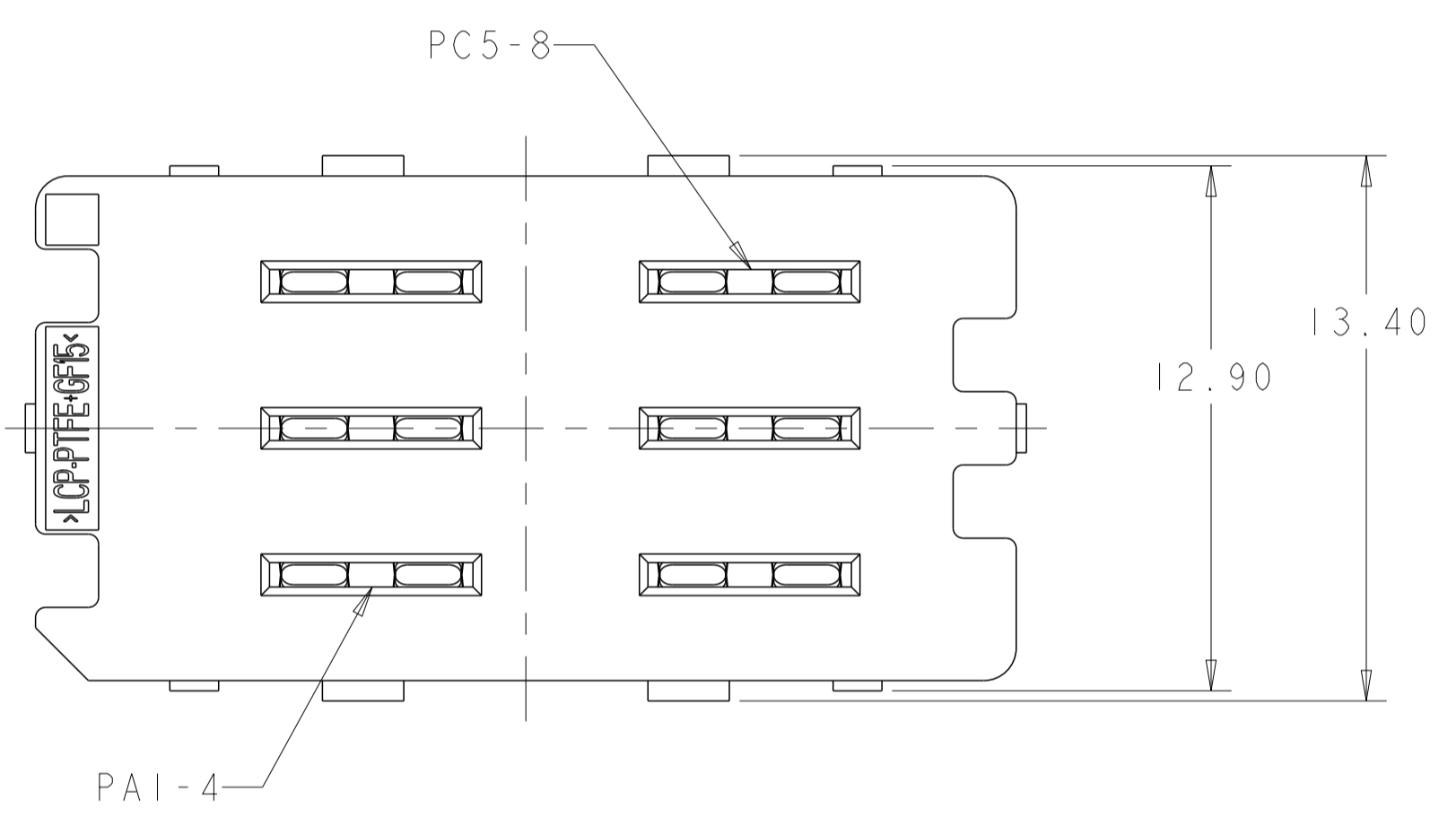


LOC		DIST		REVISIONS			
P	LTN	DESCRIPTION	DATE	DWN	APVD		
A		REVISED PER ECO-12-018933	31OCT12	KH	MH		



ISOMETRIC VIEWS
SCALE 3:1



- △ MATERIAL:
HOUSING: THERMOPLASTIC, FLAMMABILITY RATING UL94 V-0
CONTACT: COPPER ALLOY
- 2. CONFORMS TO THE REQUIREMENTS OF TE PRODUCT SPECIFICATION, 108-2375; BASED ON TELCORDIA GR-1217-CORE FOR SYSTEM QUALITY LEVEL III, APPLICATIONS IN CONTROLLED ENVIRONMENTS (CENTRAL OFFICE).
SEE TE PRODUCT SPECIFICATION 108-2375 FOR TEST SEQUENCES.
- △ SPECIFIED POSITIONAL TOLERANCE DEFINES HOLE TO HOLE LOCATION WITHIN HOLE PATTERN. POSITIONAL TOLERANCE OF HOLE PATTERN TO FIDUCIAL MARKS OR PCB DATUMS SHALL BE DEFINED BY CUSTOMER.
- △ AREA RESERVED FOR TE CONNECTIVITY LOGO.
- △ AREA RESERVED FOR PART NUMBER (X-XXXXXXX-X) AND DATE CODE (YYWW).
- △ USE CENTER LINES INDICATED ON PCB HOLE PATTERN TO ESTABLISH ALIGNMENT BETWEEN HEADER AND RECEPTACLE BOARDS.
- △ PLATED THROUGH HOLE REQUIREMENTS:
HOLE SIZE PRIOR TO PLATING = $\varnothing 0.700 \pm 0.025$
COPPER PLATING THICKNESS = 0.038 ± 0.013
CALCULATED FINISHED HOLE SIZE = $\varnothing 0.624 \pm 0.051$
THESE DIMENSIONS APPLY TO THE TOP 1.50mm OF THE PCB THICKNESS FROM THE CONNECTOR MOUNTING SIDE.

SIZE 1 HALF-WIDE *
6 POWER CONTACTS

* SIZE 2 AND SIZE 3 ARE ALSO AVAILABLE

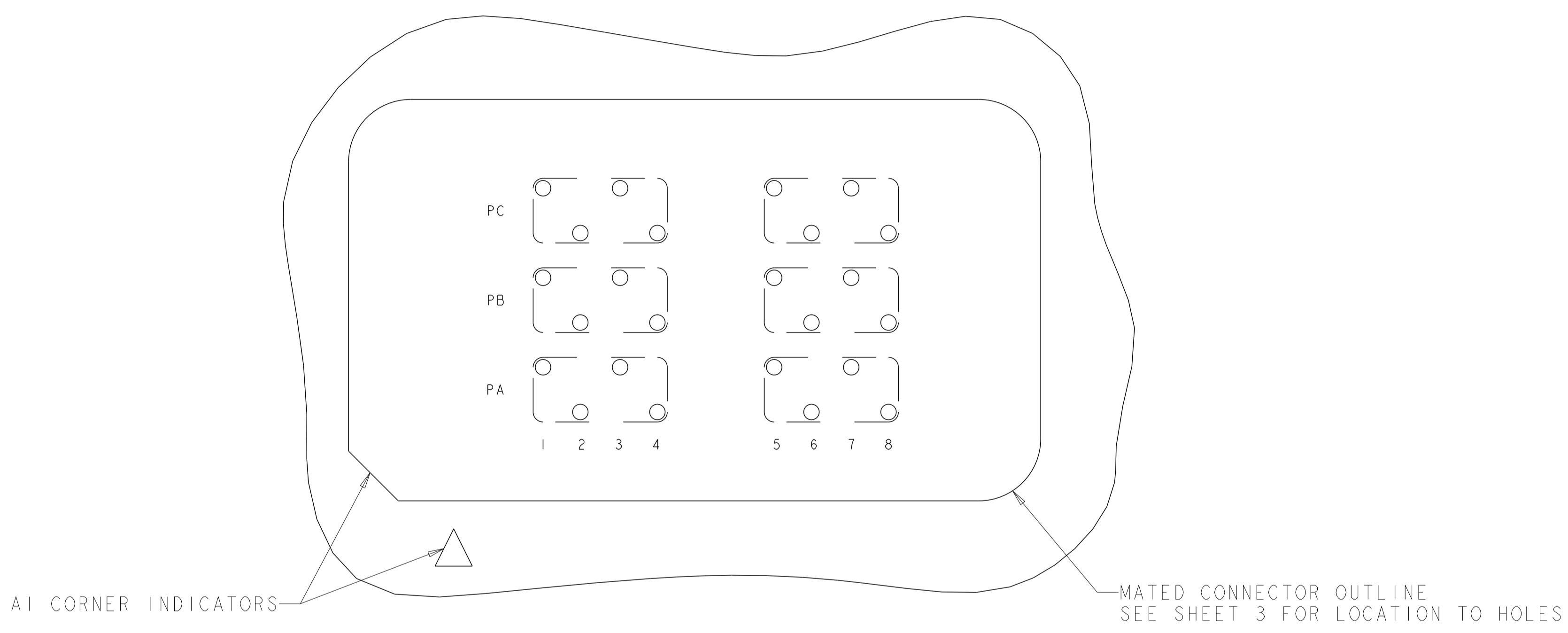
YES	MATTE Sn	5-2149521-1
	Sn/Pb	2149521-1
TOOLED	CONTACT TAIL PLATING	PART NUMBER

DIMENSIONS:		TOLERANCES UNLESS OTHERWISE SPECIFIED:	
mm	0 PLC	±	
	1 PLC	±	.13
	2 PLC	±	.013
	3 PLC	±	.013
	4 PLC	±	.013
	ANGLES	±	
	FINISH	±	


THIS DRAWING IS A CONTROLLED DOCUMENT.		DWN HAMNER 02NOV2010	
		CHK D. TROUT 03NOV2010	
		APVD J. FEDDER 03NOV2010	NAME
		PRODUCT SPEC	RECEPTACLE ASSEMBLY, HALF-WIDE, 6P,
		APPLICATION SPEC	STRADA MESA MEZZANINE CONNECTOR
		SIZE 114-13249	RESTRICTED TO
		WEIGHT	A100779C=2149521
		Customer Drawing	SCALE 6:1 SHEET 1 OF 3 REV A

THIS DRAWING IS UNPUBLISHED. RELEASED FOR PUBLICATION 20
 © COPYRIGHT 20 BY - ALL RIGHTS RESERVED.

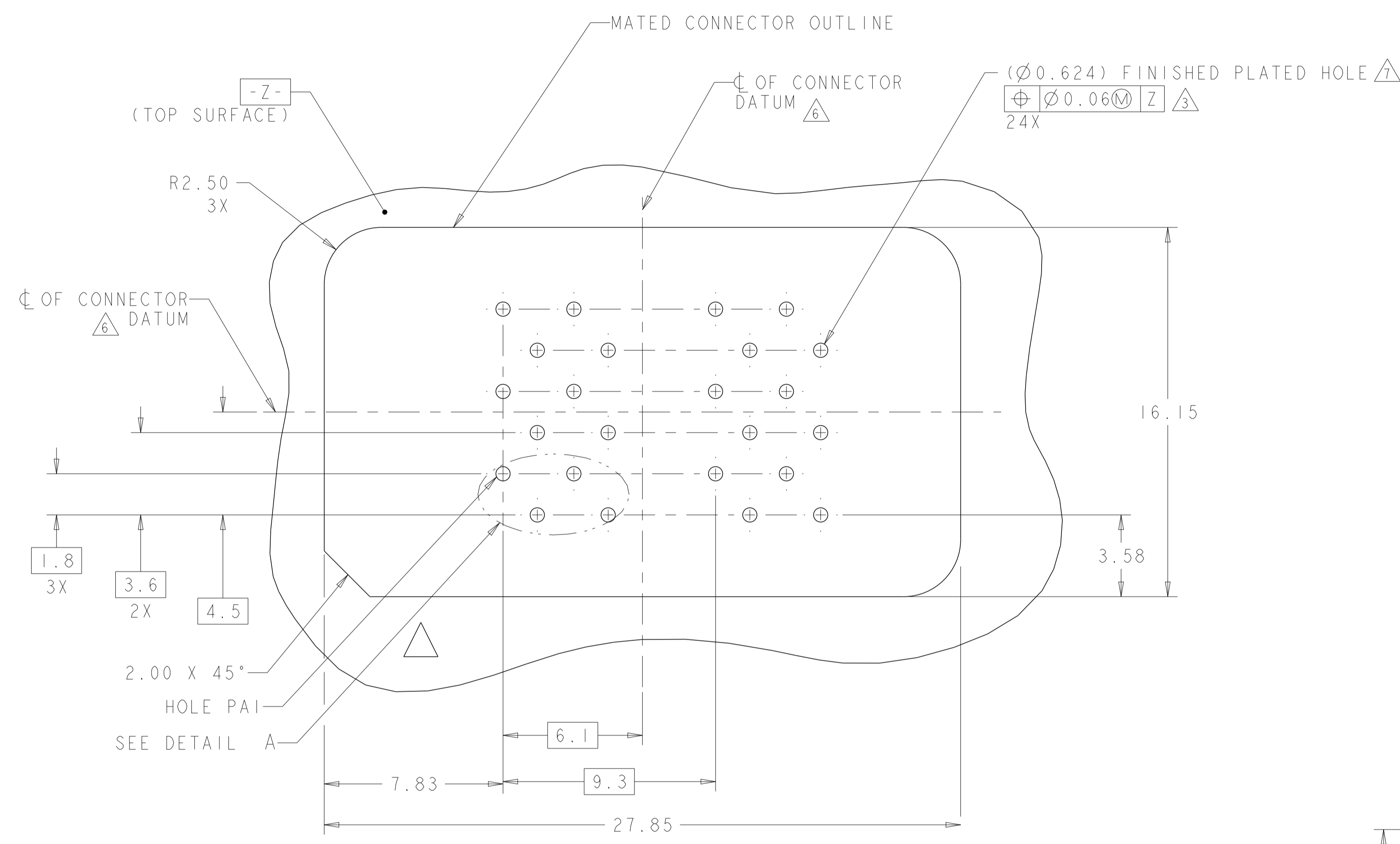
LOC	DIST	REVISIONS					
		P	LTN	DESCRIPTION	DATE	DWN	APVD
GP	00	-	-	SEE SHEET 1	-	-	-



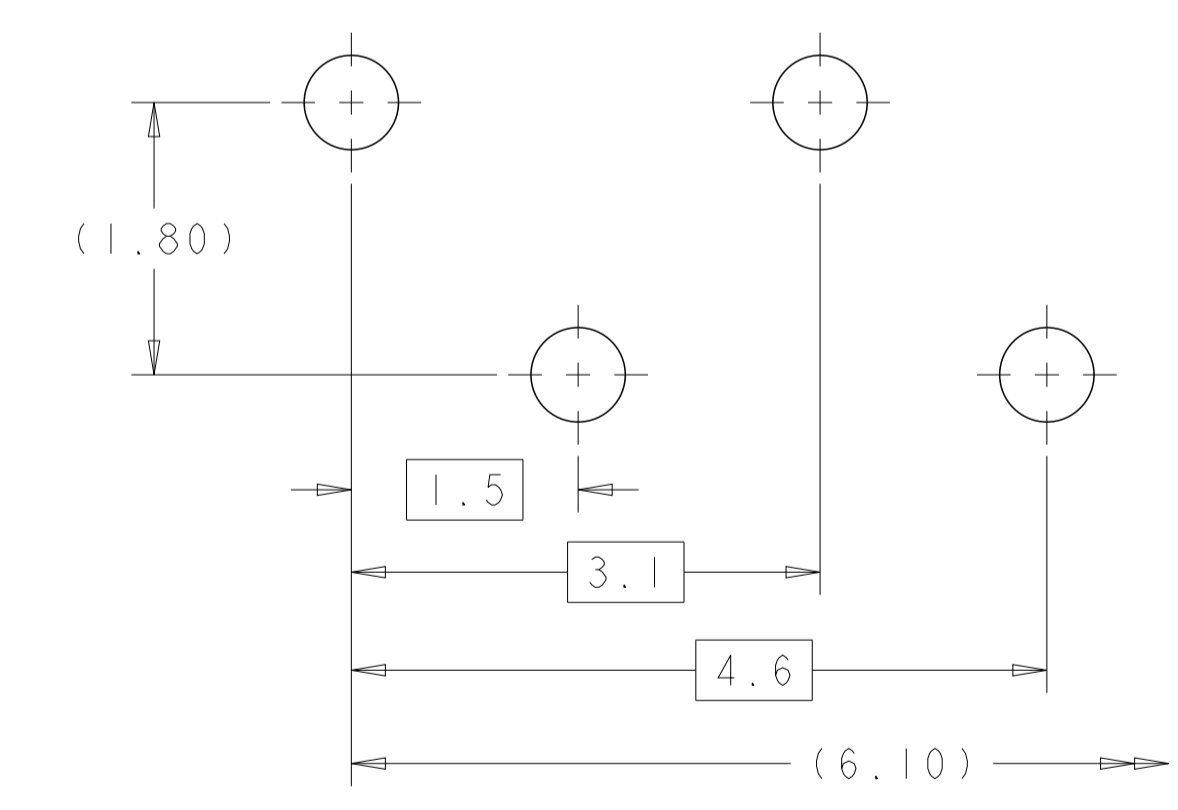
PCB LAYOUT AND PIN IDENTIFICATION
 SHOWN FROM CONNECTOR SIDE
 SCALE 7:1

THIS DRAWING IS A CONTROLLED DOCUMENT.		DWN HAMNER 02NOV2010	 TE Connectivity
DIMENSIONS: mm		CHK D. TROUT 03NOV2010	
TOLERANCES UNLESS OTHERWISE SPECIFIED:		APVD J. FEDDER 03NOV2010	NAME RECEPTACLE ASSEMBLY, HALF-WIDE, 6P, STRADA MESA MEZZANINE CONNECTOR
0 PLC ±		PRODUCT SPEC 108-2375	SIZE A100779
1 PLC ±		APPLICATION SPEC 114-13249	DRAWING NO C=2149521
2 PLC ±0.13		RESTRICTED TO	
3 PLC ±0.013		SCALE 6:1	SHEET 2 OF 3
4 PLC ±		WEIGHT	REV A
ANGLES ±1		Customer Drawing	
FINISH			

LOC	DIST	REVISIONS					
		P	LTN	DESCRIPTION	DATE	DWN	APVD
GP	00	-	-	SEE SHEET 1	-	-	-



PCB HOLE PATTERN
 SHOWN FROM CONNECTOR SIDE
 SCALE 7:1



DETAIL A
 6X
 SCALE 20:1

THIS DRAWING IS A CONTROLLED DOCUMENT.		DWN HAMNER 02NOV2010	TE Connectivity RECEPTACLE ASSEMBLY, HALF-WIDE, 6P, STRADA MESA MEZZANINE CONNECTOR
DIMENSIONS: mm		CHK D. TROUT 03NOV2010	
TOLERANCES UNLESS OTHERWISE SPECIFIED: 0 PLC ±. 1 PLC ±. 2 PLC ±0.13 3 PLC ±0.013 4 PLC ±. ANGLES ±. FINISH ±1		APVD J. FEDDER 03NOV2010	NAME
		PRODUCT SPEC 108-2375	SIZE CAGE CODE DRAWING NO RESTRICTED TO
MATERIAL		APPLICATION SPEC 114-13249	A100779C=2149521
		WEIGHT	SCALE 6:1 SHEET 3 OF 3 REV A
		Customer Drawing	

单击下面可查看定价，库存，交付和生命周期等信息

[>>TE Connectivity\(泰科\)](#)