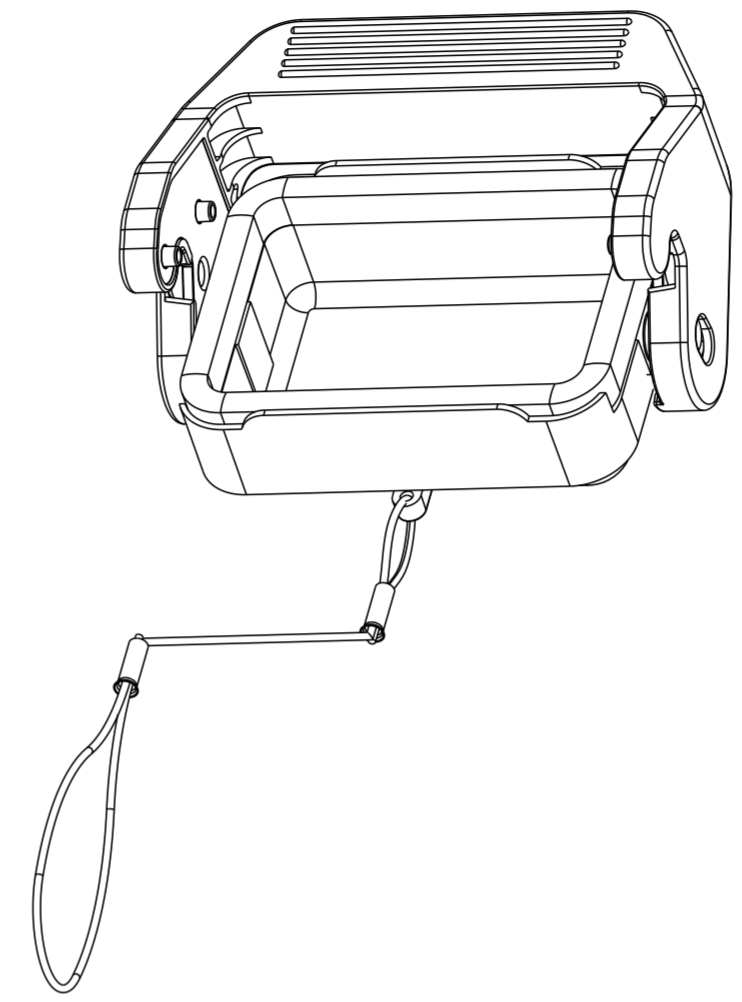
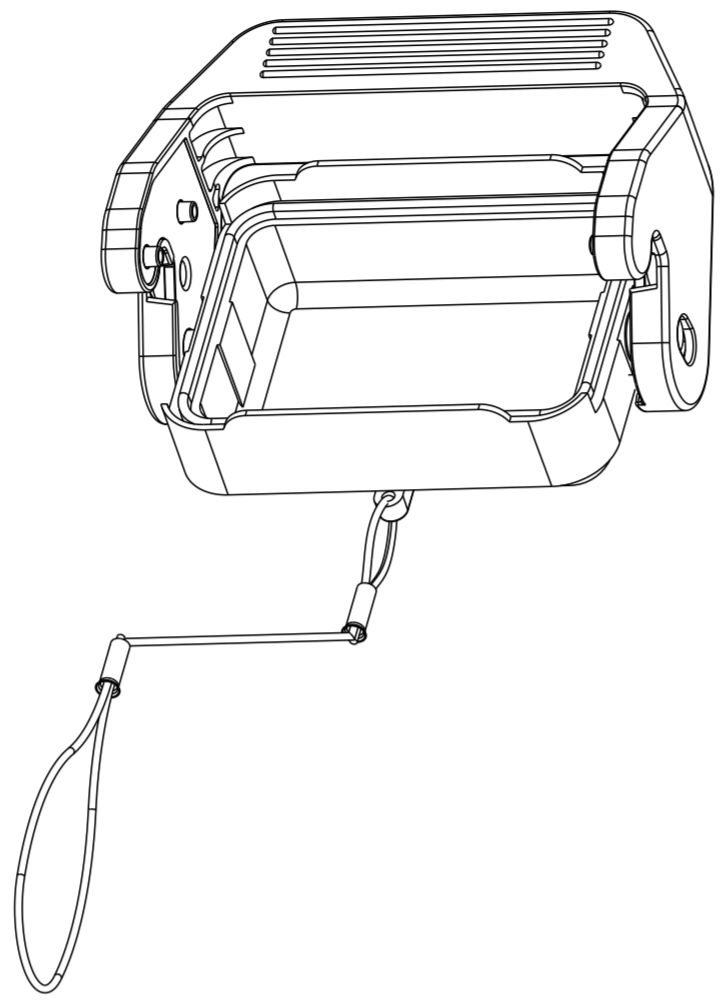
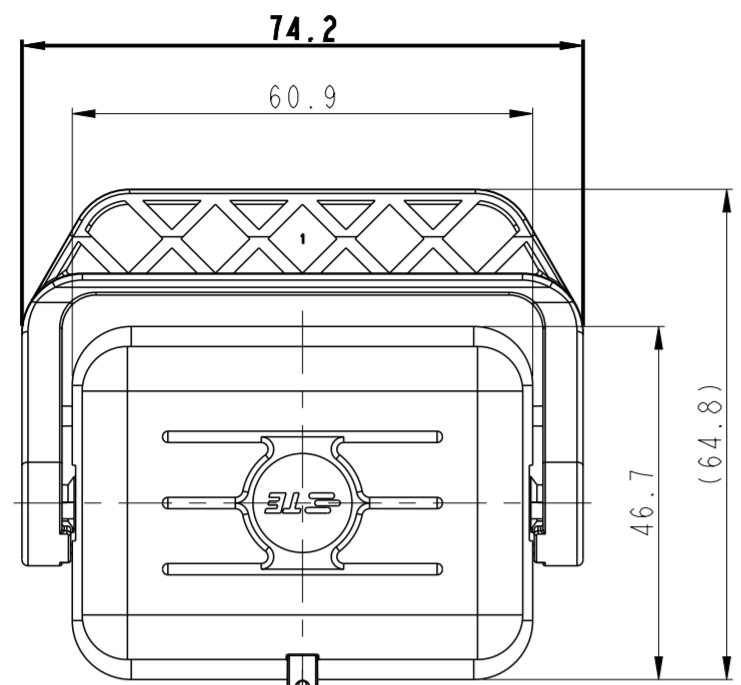


THIS DRAWING IS UNPUBLISHED. RELEASED FOR PUBLICATION 20  
 © COPYRIGHT 20 BY - ALL RIGHTS RESERVED.

REVISIONS					
P	LTR	DESCRIPTION	DATE	DWN	APVD
A		INITIAL	28NOV2016	CH	CW
A1		ECR-17-007543	27MAY2017	CH	CW
A2		ECR-23-193777	16JAN2024	RW	CW



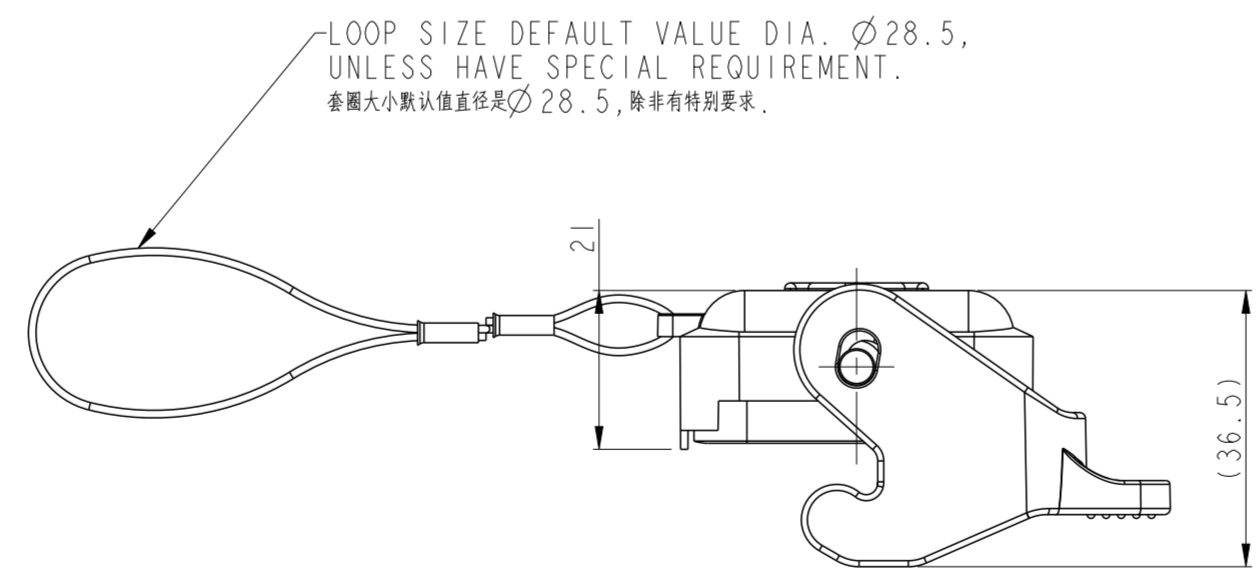
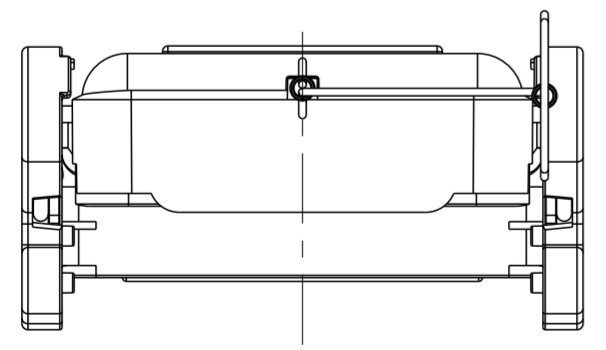
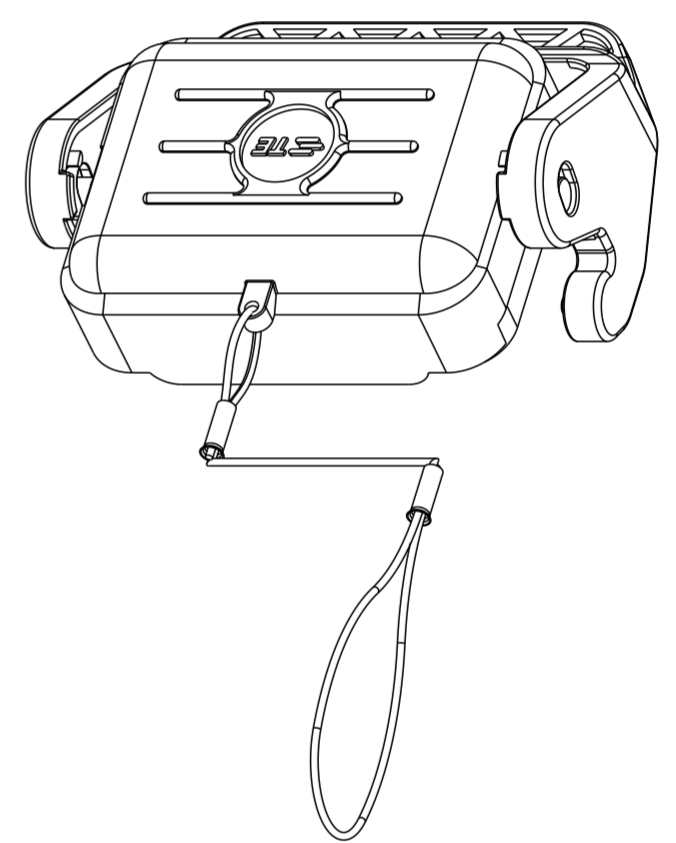
NOTES:  
 1. TECHNICAL CHARACTERISTICS:  
 COVER MATERIAL: PC, GREY  
 PLASTIC SINGLE LOCKING MATERIAL: NYLON, GREY

注释:  
 1. 技术参数:  
 保护盖材质: PC, 灰色  
 塑料单扣材质: 尼龙, 灰色

TRANSPARENT NYLON ROPE:  
 TOTAL LENGTH 380mm,  
 DIA.  $\varnothing$  1.0mm  
 透明尼龙绳: 总长380mm, 直径 $\varnothing$  1.0mm

TYPE 1: H6B HOOD PLASTIC PROTECTION COVER,  
 PLASTIC SINGLE LOCKING, WITHOUT SEALING,  
 NYLON ROPE, GREY  
 类型1: H6B上壳塑料保护盖, 塑料单扣, 不带密封, 尼龙绳, 灰色

TYPE 2: H6B HOOD PLASTIC PROTECTION COVER,  
 PLASTIC SINGLE LOCKING, SEALING,  
 NYLON ROPE, GREY  
 类型2: H6B上壳塑料保护盖, 塑料单扣, 带密封, 尼龙绳, 灰色



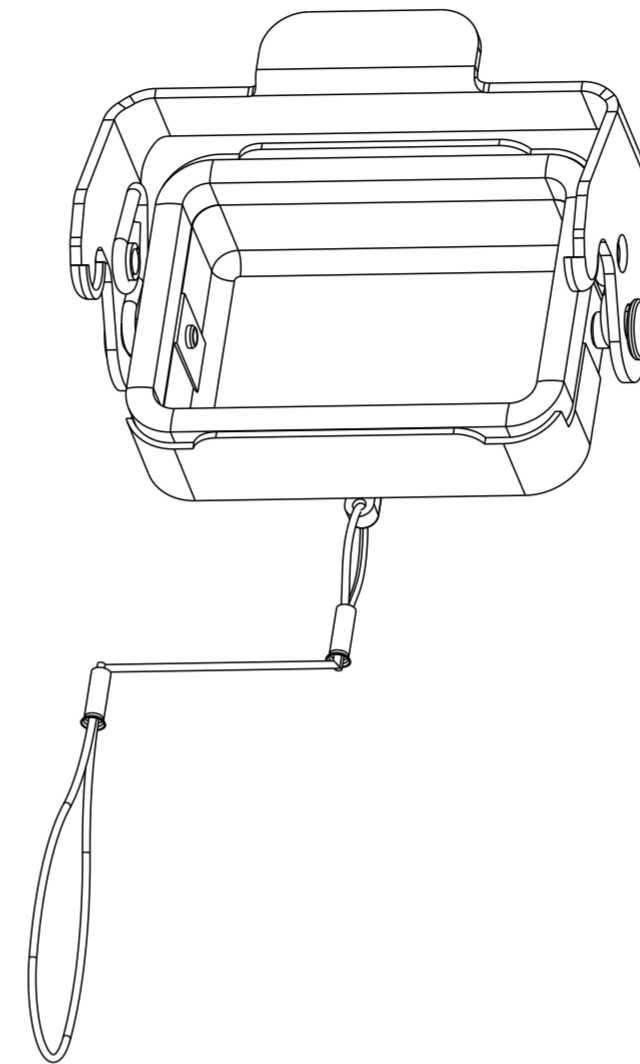
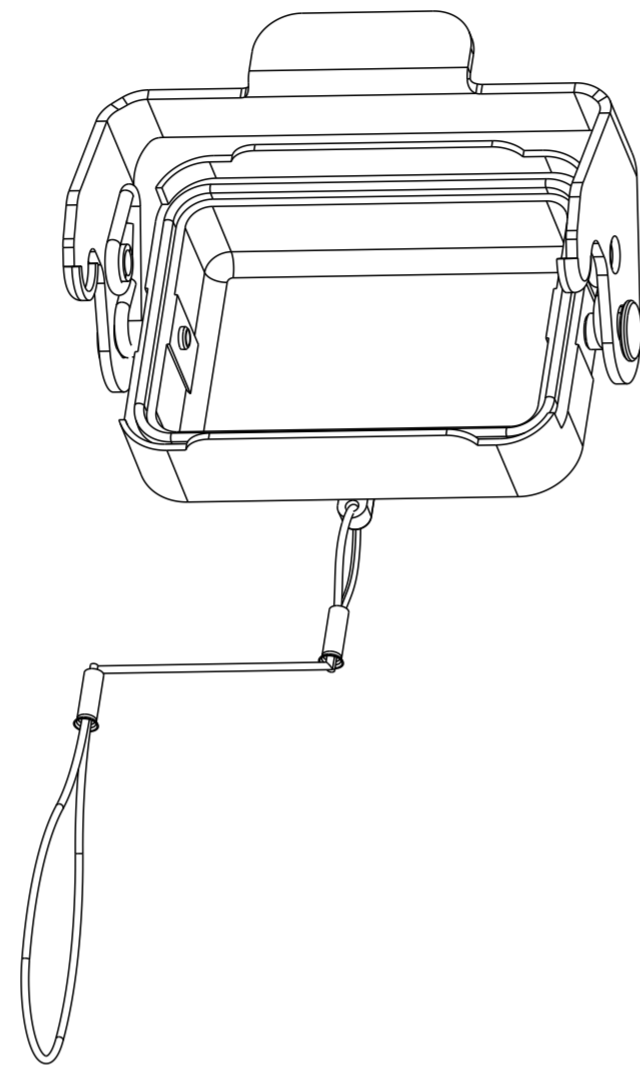
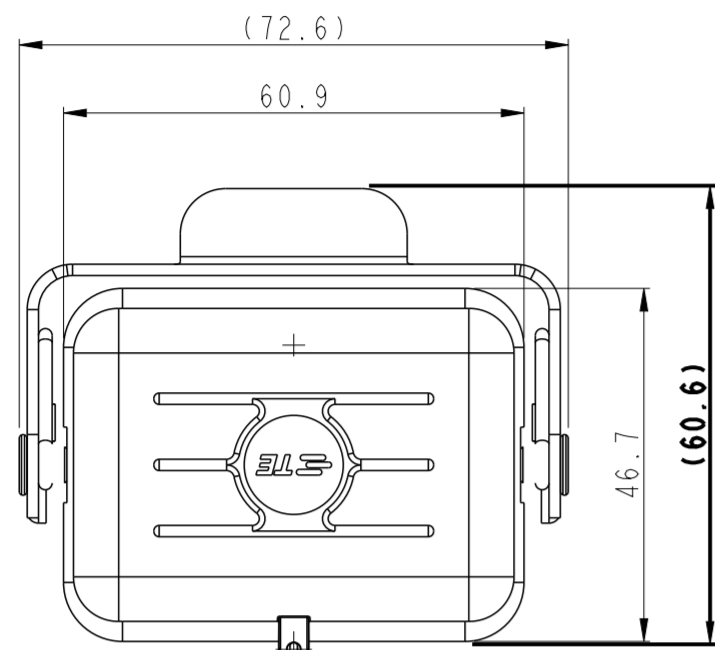
PART NUMBER	PART DESCRIPTION	TYPE
料号	描述	类型
T1010061200-000	H6B-KDTP H6B HOOD PLASTIC PROTECTION COVER, PLASTIC SINGLE LOCKING, SEALING, NYLON ROPE, GREY H6B上壳塑料保护盖, 塑料单扣, 带密封, 尼龙绳, 灰色	TYPE 2 类型2
T1010061100-000	H6B-KDTP-NR H6B HOOD PLASTIC PROTECTION COVER, PLASTIC SINGLE LOCKING, WITHOUT SEALING, NYLON ROPE, GREY H6B上壳塑料保护盖, 塑料单扣, 不带密封, 尼龙绳, 灰色	TYPE 1 类型1

THIS DRAWING IS A CONTROLLED DOCUMENT.

DWN	28NOV2016	TE Connectivity	
CHK	CHARLIE HU 28NOV2016		
APVD	KYLE ZENG 28NOV2016		
	CHRIS WANG		
DIMENSIONS: mm		NAME	H6B-KDTP/KDTPM-NR
TOLERANCES UNLESS OTHERWISE SPECIFIED:		SIZE	A2
0 PLC	±	CAGE CODE	-
1 PLC	±	DRAWING NO	G-T1010061X0000
2 PLC	±	RESTRICTED TO	-
3 PLC	±	SCALE	1:1
4 PLC	±	SHEET	1 OF 2
ANGLES	±	REV	A2
FINISH	-	CUSTOMER DRAWING	

THIS DRAWING IS UNPUBLISHED. RELEASED FOR PUBLICATION 20  
 © COPYRIGHT 20 BY - ALL RIGHTS RESERVED.

REVISIONS				
P	LTR	DESCRIPTION	DATE	APVD
-	-	SEE SHEET 1	-	-



NOTES:  
 1. TECHNICAL CHARACTERISTICS:  
 COVER MATERIAL: PC, GREY  
 STEEL SINGLE LOCKING MATERIAL: SPCC, COLOR ZINC PLATED

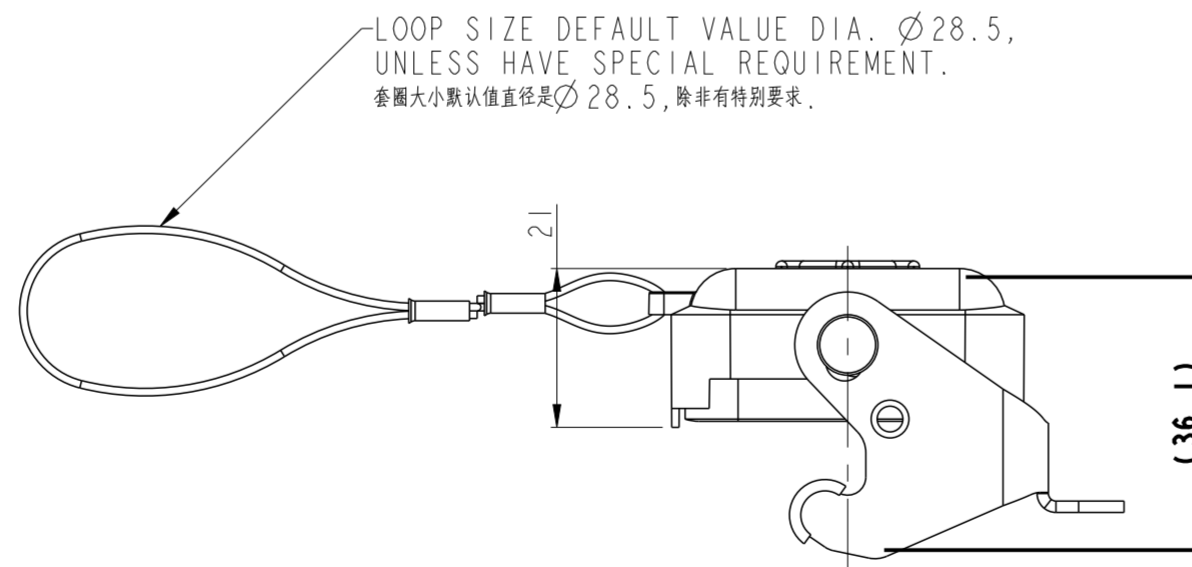
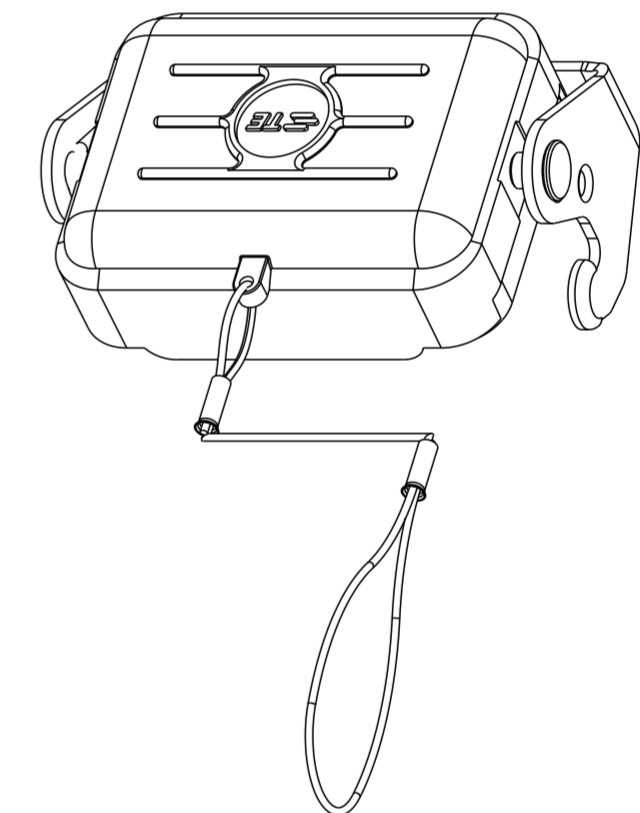
注释:  
 1. 技术参数:  
 保护盖材质: PC, 灰色  
 彩锌单扣材质: 冷轧板, 镀锌彩

T1010061300-000: TRANSPARENT NYLON ROPE:  
 TOTAL LENGTH 380±5mm,  
 DIA. ∅1.0mm  
 透明尼龙绳: 总长380±5mm, 直径∅1.0mm

T1010061400-001: STAINLESS STEEL ROPE WITH SHEATH:  
 TOTAL LENGTH 380±5mm,  
 DIA. ∅1.5mm  
 包胶钢丝绳: 总长380±5mm, 直径∅1.5mm

TYPE 3: H6B HOOD PLASTIC PROTECTION COVER,  
 METAL SINGLE LOCKING, WITHOUT SEALING,  
 NYLON ROPE, GREY  
 类型3: H6B上壳塑料保护盖, 彩锌单扣, 不带密封, 尼龙绳, 灰色

TYPE 4: H6B HOOD PLASTIC PROTECTION COVER,  
 METAL SINGLE LOCKING, SEALING,  
 NYLON ROPE, GREY  
 类型4: H6B上壳塑料保护盖, 彩锌单扣, 带密封, 尼龙绳, 灰色



T1010061400-000	H6B-KDTPM	H6B HOOD PLASTIC PROTECTION COVER, METAL SINGLE LOCKING, SEALING, NYLON ROPE, GREY H6B上壳塑料保护盖, 彩锌单扣, 带密封, 尼龙绳, 灰色	TYPE 4 类型4
T1010061400-001	H6B-KDTPM-SS	H6B HOOD PLASTIC PROTECTION COVER, METAL SINGLE LOCKING, SEALING, SUS ROPE WITH SHEATH, GREY H6B上壳塑料保护盖, 彩锌单扣, 带密封, 包胶钢丝绳, 灰色	TYPE 4 类型4
T1010061300-000	H6B-KDTPM-NR	H6B HOOD PLASTIC PROTECTION COVER, METAL SINGLE LOCKING, WITHOUT SEALING, NYLON ROPE, GREY H6B上壳塑料保护盖, 彩锌单扣, 不带密封, 尼龙绳, 灰色	TYPE 3 类型3
PART NUMBER 料号	PART DESCRIPTION 描述		TYPE 类型

THIS DRAWING IS A CONTROLLED DOCUMENT.		DWN CHARLIE HU 28NOV2016	TE Connectivity	
DIMENSIONS: mm		CHK KYLE ZENG 28NOV2016		
TOLERANCES UNLESS OTHERWISE SPECIFIED:		APVD CHRIS WANG 28NOV2016	NAME H6B-KDTP/KDTPM-NR	
0 PLC ±- 1 PLC ±- 2 PLC ±- 3 PLC ±- 4 PLC ±- ANGLES ±- FINISH ±-		PRODUCT SPEC -	RESTRICTED TO -	
MATERIAL -		APPLICATION SPEC -	SIZE A2	CAGE CODE -
-		WEIGHT -	DRAWING NO G-T1010061X0000	
-		CUSTOMER DRAWING	SCALE 1:1	SHEET 2 OF 2

单击下面可查看定价，库存，交付和生命周期等信息

[>>TE Connectivity\(泰科\)](#)