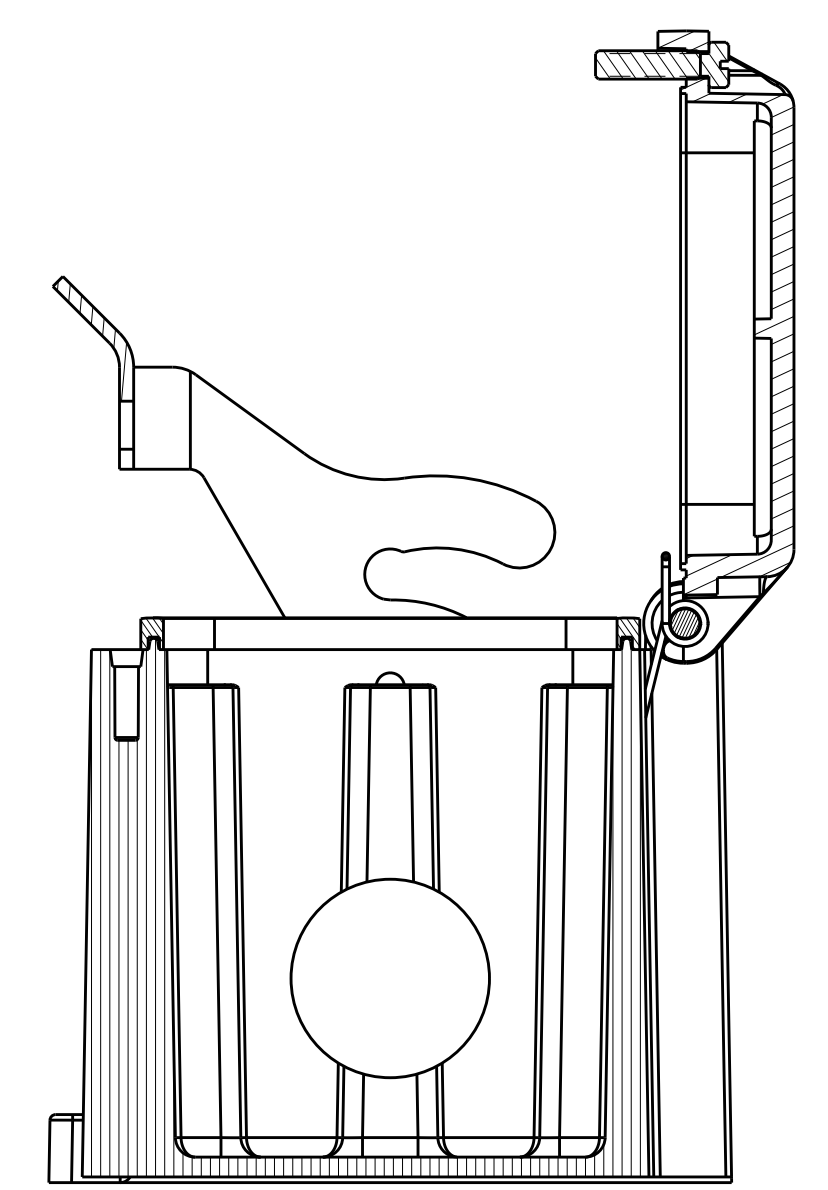
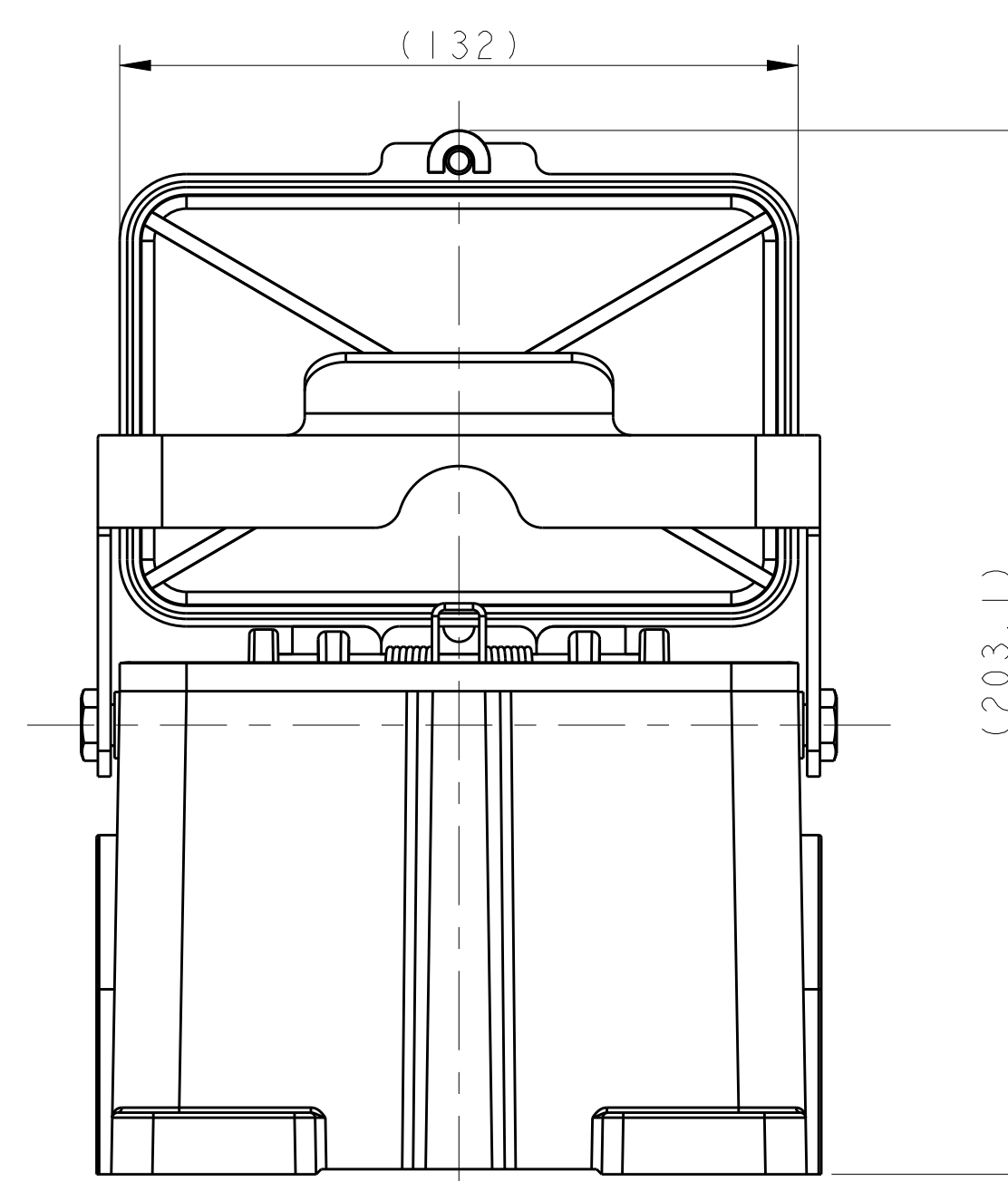
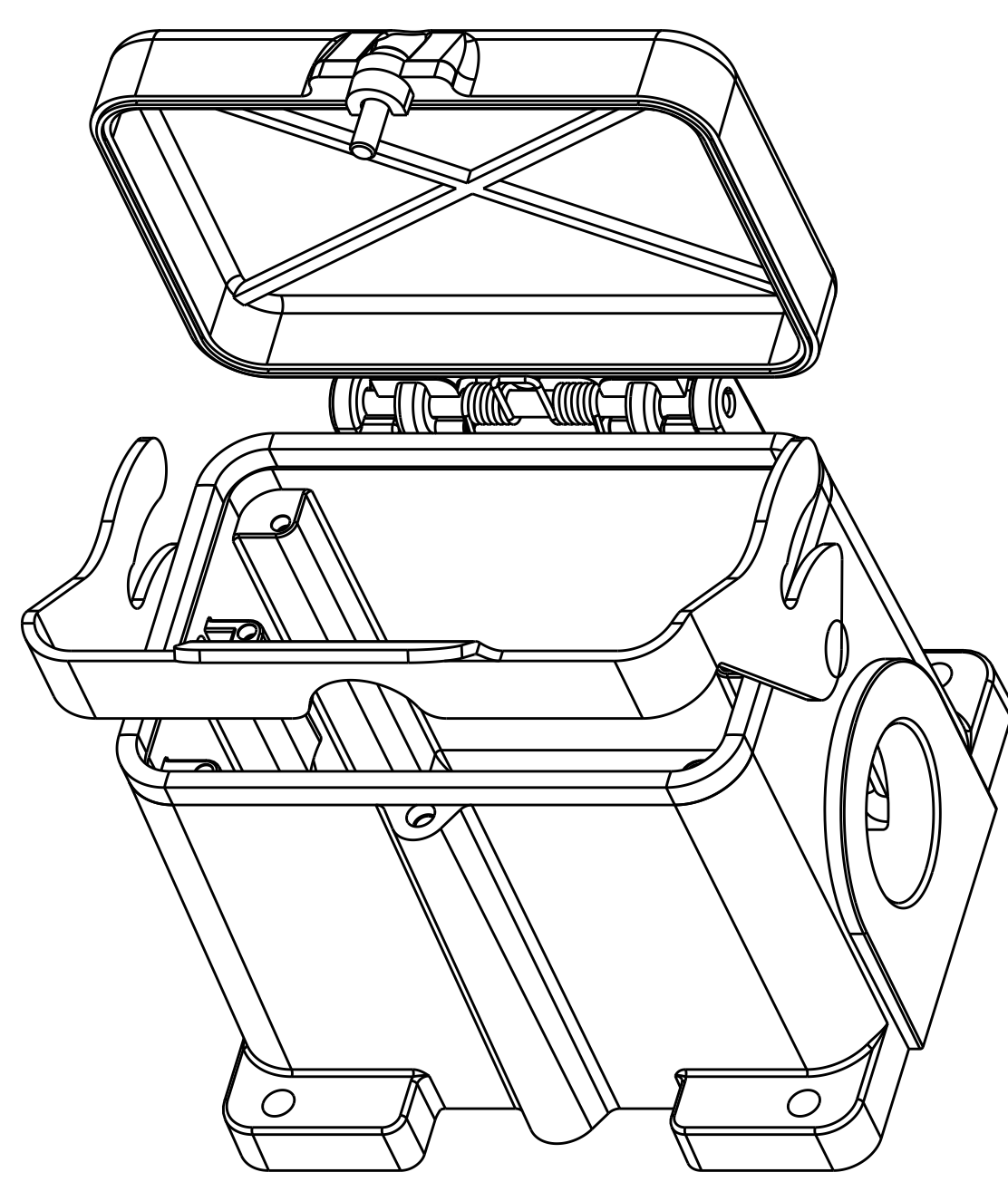
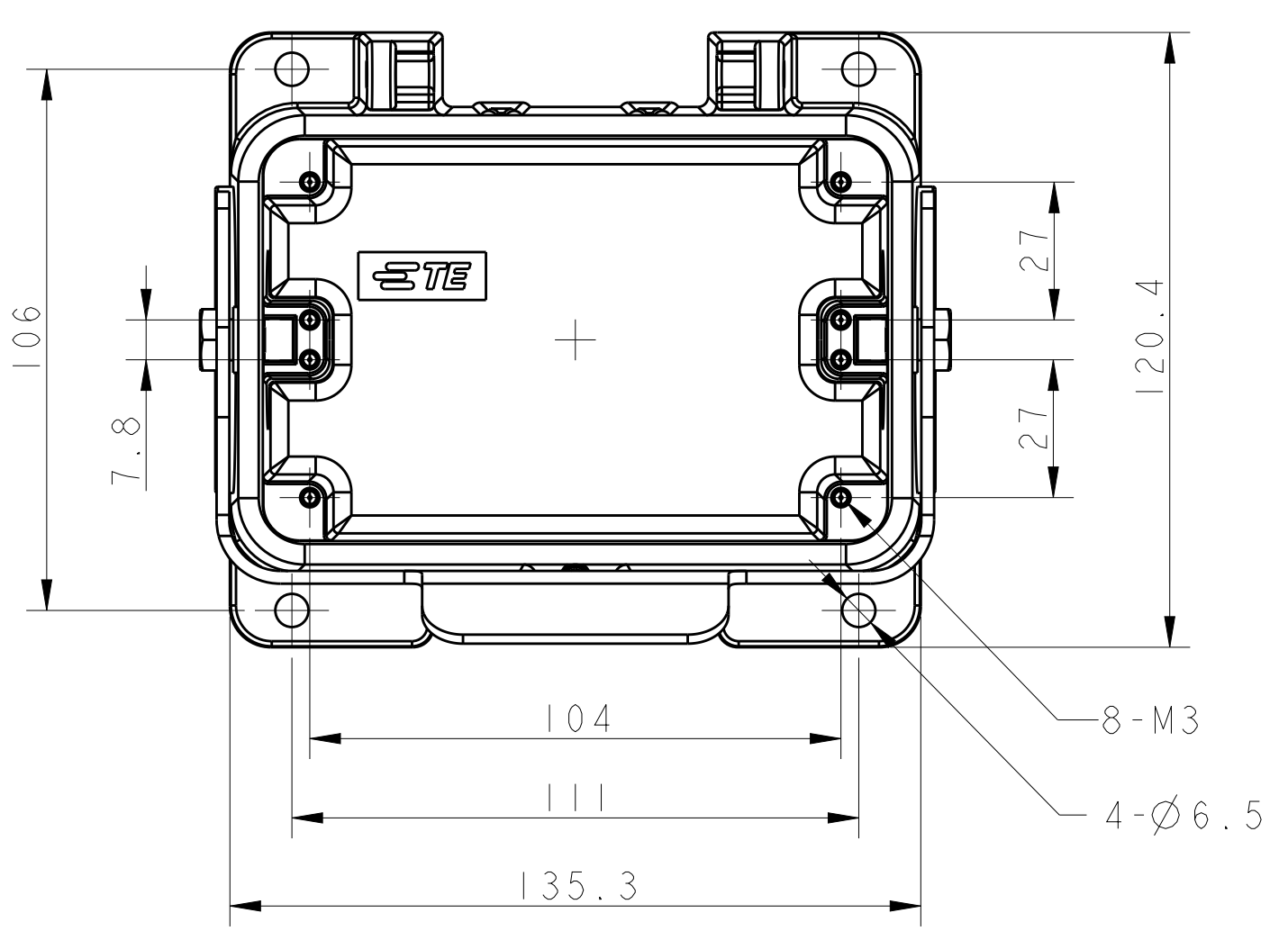
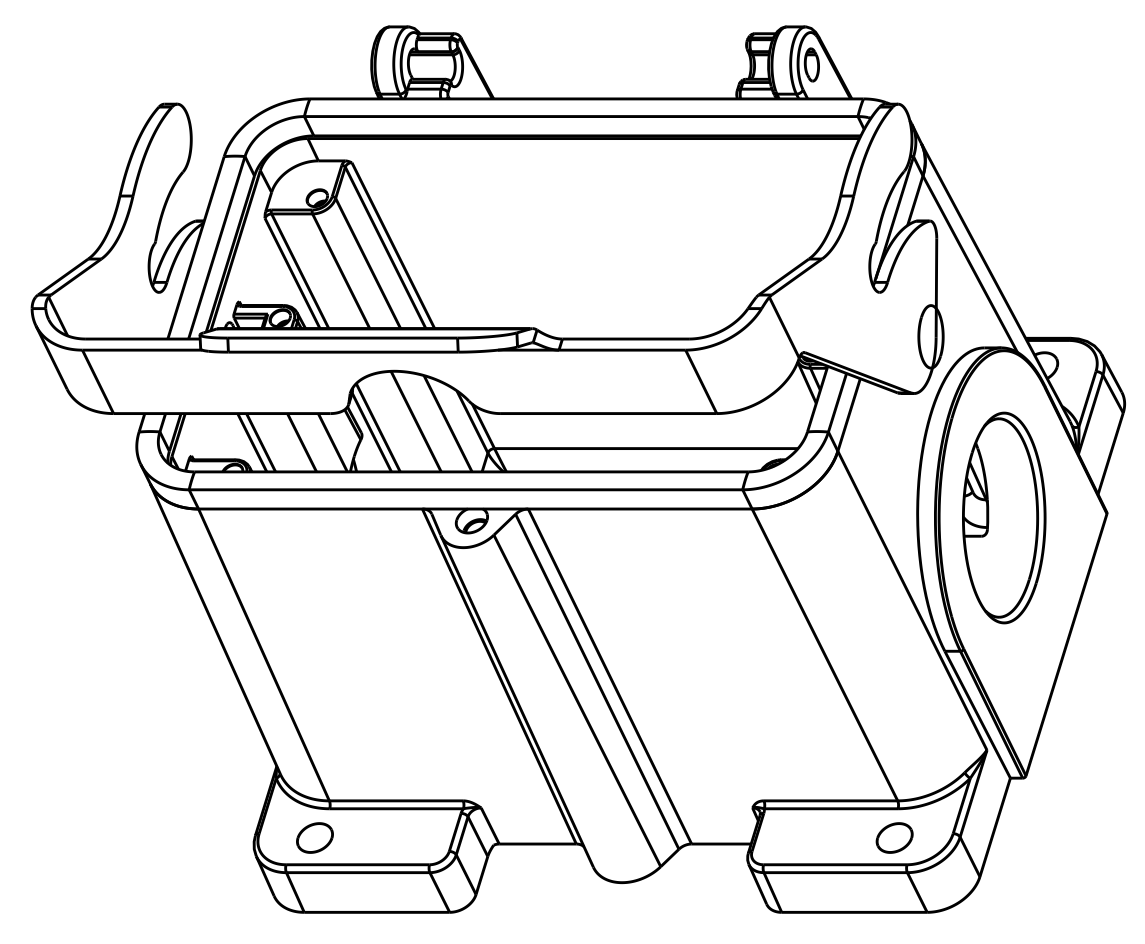


REVISIONS				
P.	LTM	DESCRIPTION	DATE	OWN APVD
A		INITIAL RELEASE	09JUN2015	DL CW
A1		ECR-16-001413	29JAN2016	DL CW



TYPE 1: H48 HOUSING, SURFACE MOUNTED, STAINLESS STEEL SINGLE LOCKING

类型1: H48B表面安装下壳 (不锈钢单扣)

TYPE 2: H48 HOUSING, SURFACE MOUNTED, STAINLESS STEEL SINGLE LOCKING WITH PLASTIC PROTECTION COVER, OTHER SPEC REFER TO TYPE 1

类型2: H48B表面安装下壳 (不锈钢单扣, 带塑料保护盖) 未注规格参考类型1

T1610482000-000	TYPE 1 类型1	H48B-SGRS-LB-XX	-	-
T1610482129-000		H48B-SGR-LB-PG29	PG29	-
T1610482132-000		H48B-SGR-LB-M32	M32	-
T1610482136-000		H48B-SGR-LB-PG36	PG36	-
T1610482140-000		H48B-SGR-LB-M40	M40	-
T1610482142-000		H48B-SGR-LB-PG42	PG42	-
T1610482150-000		H48B-SGR-LB-M50	M50	-
T1610482229-000		H48B-SGR-LB-2PG29	PG29	PG29
T1610482232-000		H48B-SGR-LB-2M32	M32	M32
T1610482236-000		H48B-SGR-LB-2PG36	PG36	PG36
T1610482240-000	H48B-SGR-LB-2M40	M40	M40	
T1620480129-000	TYPE 2 类型2	H48B-SDR-LB-PG29	PG29	-
T1620480132-000		H48B-SDR-LB-M32	M32	-
T1620480136-000		H48B-SDR-LB-PG36	PG36	-
T1620480140-000		H48B-SDR-LB-M40	M40	-
T1620480142-000		H48B-SDR-LB-PG42	PG42	-
T1620480150-000		H48B-SDR-LB-M50	M50	-
T1620480229-000		H48B-SDR-LB-2PG29	PG29	PG29
T1620480232-000		H48B-SDR-LB-2M32	M32	M32
T1620480236-000		H48B-SDR-LB-2PG36	PG36	PG36
T1620480240-000		H48B-SDR-LB-2M40	M40	M40
T1620482250-000	H48B-SDR-LB-2M50	M50	M50	

PART NUMBER 料号	TYPE 类型	PART DESCRIPTION 描述	IG1 螺纹孔1	IG2 螺纹孔2
-------------------	------------	------------------------	-------------	-------------

NOTES:
 1. TECHNICAL CHARACTERISTICS:
 BODY MATERIAL: DIE CAST ALUMINIUM ALLOY
 SURFACE TREATMENT: POWDER-COATED, GRAY
 OPERATION TEMPERATURE: -40-+125°C
 DEGREE OF PROTECTION: IP65 (MATED)

注释:
 1. 技术参数:
 主体材料: 铝合金
 表面处理: 粉末喷涂, 灰色
 工作温度: -40-+125°C
 防护等级: IP65(配合)

THIS DRAWING IS A CONTROLLED DOCUMENT.		OWN: DAVID LI 09JUN2015	TE Connectivity
DIMENSIONS:		CHK: CHRIS WANG 09JUN2015	
mm	TOLERANCES UNLESS OTHERWISE SPECIFIED:	APVD: XU XIANG 09JUN2015	NAME: H48B-SGR/SDR-LB-PG/M
	0 PLC ± 1 PLC ± 2 PLC ± 3 PLC ± 4 PLC ± ANGLES ±	PRODUCT SPEC: 108-137013	SIZE: A1
MATERIAL:	FINISH:	APPLICATION SPEC: 114-137013	CAGE CODE: -
		WEIGHT: -	DRAWING NO: C-T16X048XXX000
		CUSTOMER DRAWING	SCALE: 3:4 SHEET 1 OF 1 REV: A1

单击下面可查看定价，库存，交付和生命周期等信息

[>>TE Connectivity\(泰科\)](#)