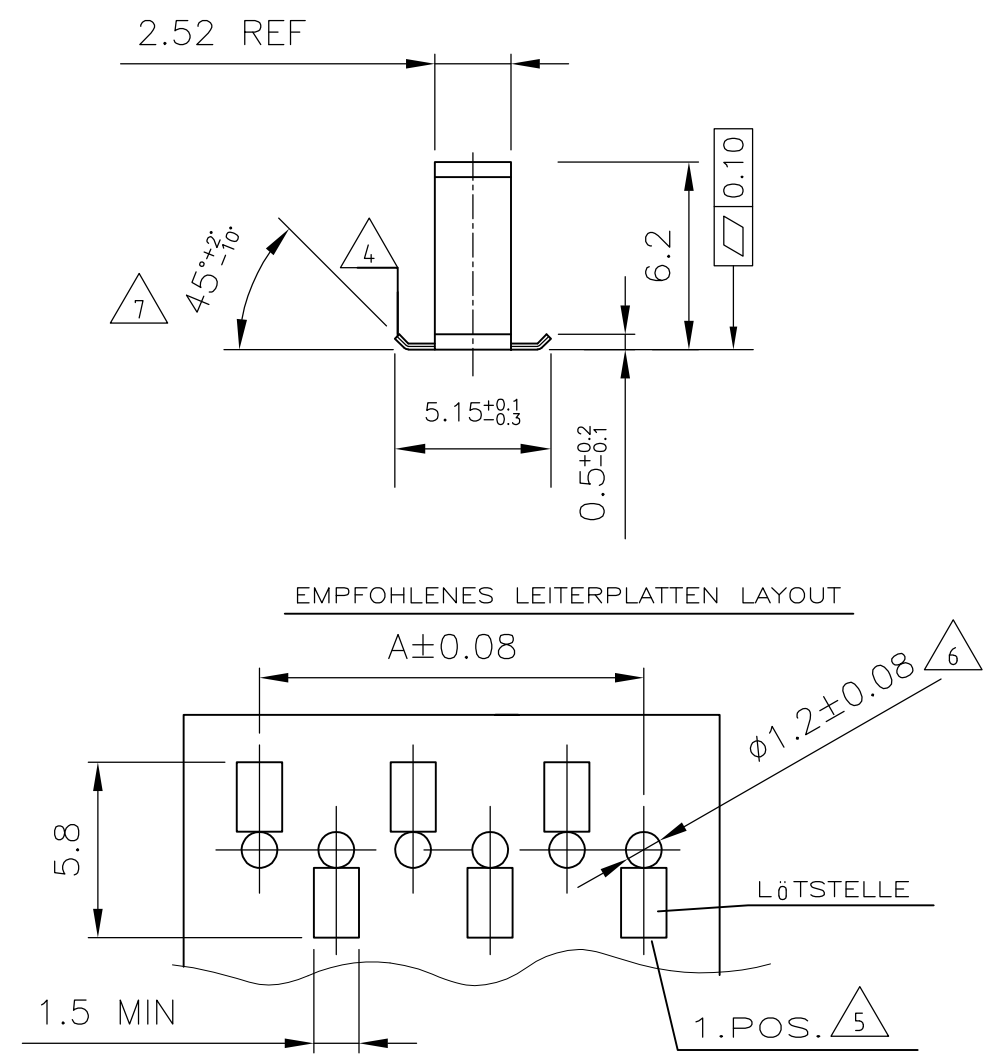
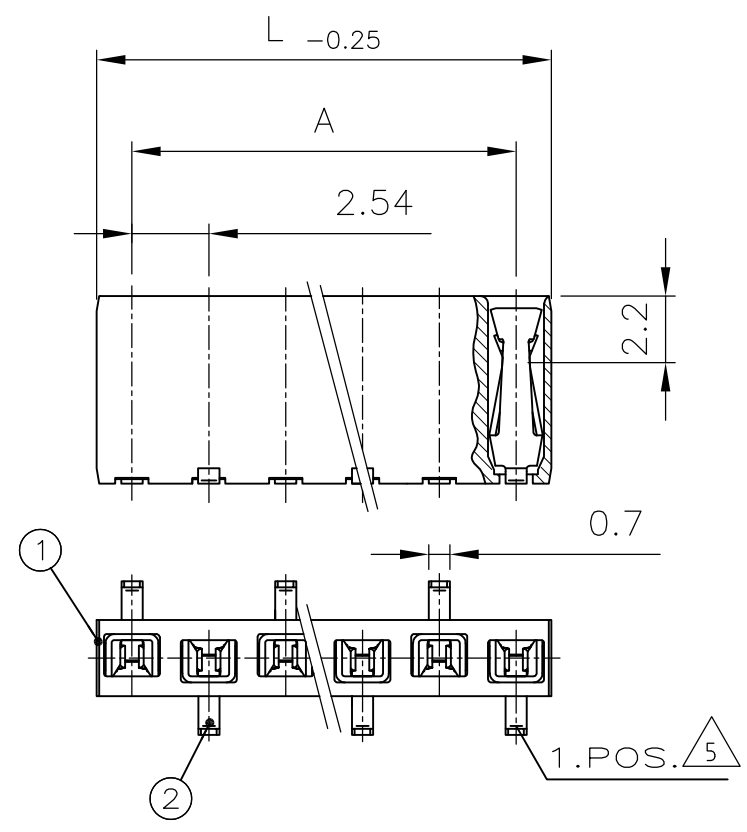


THIS DRAWING IS UNPUBLISHED
 RELEASED FOR PUBLICATION AUG , 1998.
 © COPYRIGHT 2010 By - ALL RIGHTS RESERVED.

LOC	DIST	REVISIONS			
P	LTR	DESCRIPTION	DATE	DWN	APVD
IR	-	S1	TOLERANCE UPDATED & NOTE 7 ADDED	12SEP2013	KJK RP

Polz.	L _{-0.25}	A
-	-	-
-	-	-
3	7.88	5.08
4	10.42	7.62
5	12.96	10.16
6	15.50	12.7
7	18.04	15.24
8	20.58	17.78
9	23.12	20.32
10	25.66	22.86
11	28.20	25.4
12	30.74	27.94



1 EDGE CONTACT KONTAKTPUNKT

2 CONTACT RANGE: 0.8µm GOLD OVER 1.3µm Ni
 SOLDERING RANGE: 2.5µm TIN OVER 1.3µm Ni
 KONTAKTBEREICH: 0.8µm GOLD ÜBER 1.3µm Ni
 LÖTBEREICH: 2.5µm ZINN ÜBER 1.3µm Ni

3 CAN BE PLUGGED IN WITH MODU II PINS Ø0.63 OR □0.63
 TOP OR BOTTOM ENTRY.
 STECKBAR MIT MODU II STIFTEN Ø0.63 ODER □0.63
 TOP ODER BOTTOM ENTRY.

4 PLANE OF SECTION BLANK
 SCHNITTFLÄCHE BLANK

5 SITUATION OF THE FIRST CONTACT ATTENTION.
 LAGE DES 1. KONTAKTS BEACHTEN

6 ONLY WITH THE BOTTOM ENTRY
 NUR BEI BOTTOM ENTRY

7 BEND ANGLE WILL BE 80°±5° WHEN PRODUCED AT
 DIFFERENT EQUIPMENT (SEMI-AUTOMATIC) DUE TO
 CAPACITY OR MIX OF LOAD.

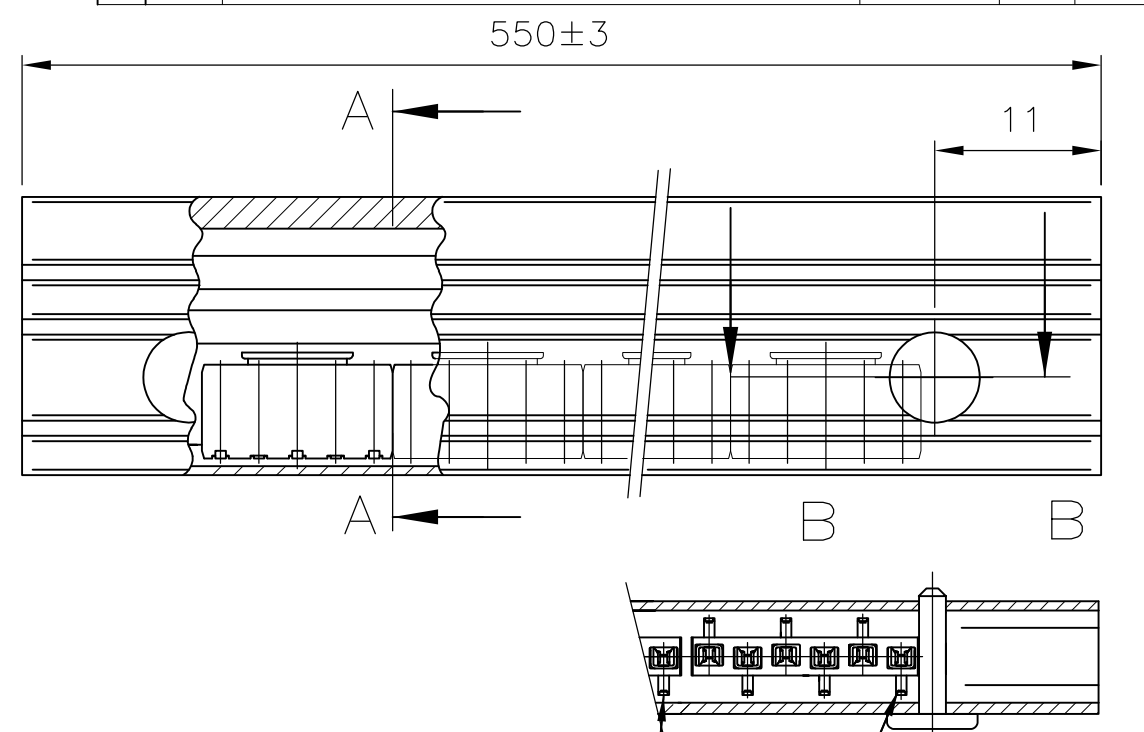
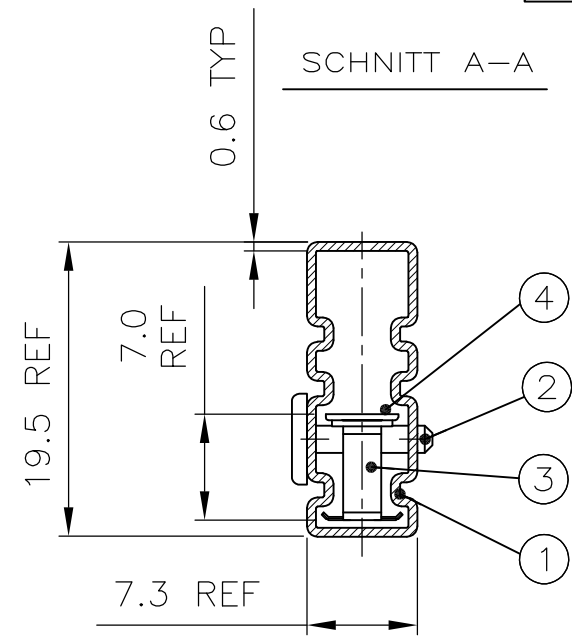
POS.	STÜCK / PIECE	BENENNUNG EINZELTEIL PART DESCRIPTION	WERKSTOFF MATERIAL	OBERFLÄCHE / FARBE SURFACE / COLOR	SI No
2	-	HV 100 KONTAKT / HV 100 CONTACT	Cu Sn		2
1	-	HV 100 GEHÄUSE / HV 100 HOUSING	LCP	SCHWARZ / BLACK	1

THIS DRAWING IS A CONTROLLED DOCUMENT.		DWN A.HO 06.02.95	TE Connectivity HV 100 RECEPTACLE CONNECTOR, SMD, SINGLE ROW, TUBE PACKAGING																				
DIMENSIONS: mm		CHK M.SCHAARSCHMIDT 06.02.95																					
TOLERANCES UNLESS OTHERWISE SPECIFIED: TOL ± 0.2		APVD -	NAME																				
<table border="1"> <tr><td>0</td><td>PLC</td><td>±</td></tr> <tr><td>1</td><td>PLC</td><td>± -</td></tr> <tr><td>2</td><td>PLC</td><td>± -</td></tr> <tr><td>3</td><td>PLC</td><td>± -</td></tr> <tr><td>4</td><td>PLC</td><td>± -</td></tr> <tr><td colspan="2">ANGLES</td><td>± 3'</td></tr> </table>		0	PLC	±	1	PLC	± -	2	PLC	± -	3	PLC	± -	4	PLC	± -	ANGLES		± 3'	PRODUCT SPEC 108-19056	SIZE		
0	PLC	±																					
1	PLC	± -																					
2	PLC	± -																					
3	PLC	± -																					
4	PLC	± -																					
ANGLES		± 3'																					
MATERIAL SEE TABLE		FINISH SEE TABLE	APPLICATION SPEC -	CAGE CODE A300779	DRAWING NO C-966657																		
CUSTOMER DRAWING			WEIGHT -	RESTRICTED TO -	SCALE 2:1																		
			SHEET 1 OF 2		REV S1																		

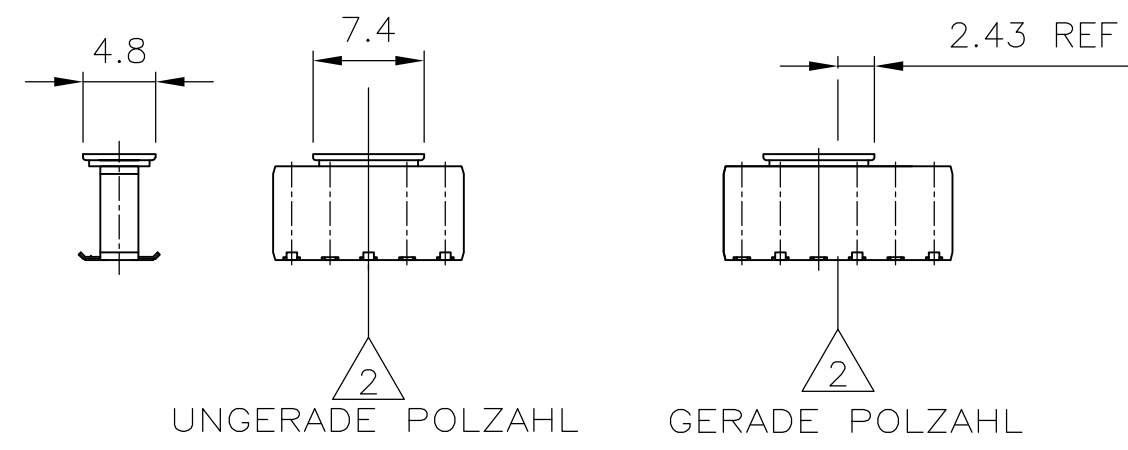
THIS DRAWING IS UNPUBLISHED
 RELEASED FOR PUBLICATION AUG, 1998.
 © COPYRIGHT 2010 By - ALL RIGHTS RESERVED.

LOC	DIST	REVISIONS					
IR	-	P	LTR	DESCRIPTION	DATE	DWN	APVD
		-	-	SEE SHEET 1			


- ① HV 100 SOCKET PLUG, SMD SEE SHEET 1 OF 2
HV100 BUCHSENSTECKER SMD SIEHE BLATT 1 VON 2
- ② CENTER LINE OF SOCKET PLUG
MITTELLINIE DES BUCHSENSTECKERS
- ③ SEE TABLE
SIEHE TABELLE
- ④ OBSOLETE



POS.1 DES BU-STECKERS
 HIER 6 POL. GEZEICHNET
 SCHNITT B-B



④	④		④	④		④					
17	18	20	23	25	29	34	40	50	66	ADAPTER F. SAUGPIPETTE	4
17	-	-	-	-	-	-	-	-	-	12 POL. BUCHSENSTECKER 12 POS. SOCKET PLUG	3
-	18	-	-	-	-	-	-	-	-	11 POL. BUCHSENSTECKER 11 POS. SOCKET PLUG	3
-	-	20	-	-	-	-	-	-	-	10 POL. BUCHSENSTECKER 10 POS. SOCKET PLUG	3
-	-	-	23	-	-	-	-	-	-	9 POL. BUCHSENSTECKER 9 POS. SOCKET PLUG	3
-	-	-	-	25	-	-	-	-	-	8 POL. BUCHSENSTECKER 8 POS. SOCKET PLUG	3
-	-	-	-	-	29	-	-	-	-	7 POL. BUCHSENSTECKER 7 POS. SOCKET PLUG	3
-	-	-	-	-	-	34	-	-	-	6 POL. BUCHSENSTECKER 6 POS. SOCKET PLUG	3
-	-	-	-	-	-	-	40	-	-	5 POL. BUCHSENSTECKER 5 POS. SOCKET PLUG	3
-	-	-	-	-	-	-	-	50	-	4 POL. BUCHSENSTECKER 4 POS. SOCKET PLUG	3
-	-	-	-	-	-	-	-	-	66	3 POL. BUCHSENSTECKER 3 POS. SOCKET PLUG	3
2	2	2	2	2	2	2	2	2	2	VERSCHLUß-STIFT	2
1	1	1	1	1	1	1	1	1	1	VERPACKUNGSRÖHR PACKING PIPE	1
1-2	1-1	1-0	-9	-8	-7	-6	-5	-4	-3		

BESTELL-NR	POS.	STÜCK / PIECE	BENENNUNG EINZELTEIL PART DESCRIPTION	WERKSTOFF MATERIAL	OBERFLÄCHE / FARBE SURFACE / COLOR	SI No	S.TABELLE SEE TABLE	ADAPTER		PCT-GV		SCHWARZ / BLACK									
								4	③	3	③	①	①								
			ADAPTER					4	③				4								
			HV 100 BUCHSENST, SMD					3	③	①	①		3								
			VERSCHL. STIFT / LOCKS PIN					2	2	PP			2								
			VERPACKUNGSRÖHR / PACKING PIPE					1	1	ANTI-STATISCH			1								
THIS DRAWING IS A CONTROLLED DOCUMENT.				DWN A.HO 06.02.95		 TE Connectivity HV 100 RECEPTACLE CONNECTOR, SMD, SINGLE ROW, TUBE PACKAGING															
DIMENSIONS: mm				CHK M.SCHAARSCHMIDT 06.02.95																	
TOLERANCES UNLESS OTHERWISE SPECIFIED: TOL ± 0.2				APVD		NAME															
<table border="1"> <tr><td>0 PLC</td><td>±</td></tr> <tr><td>1 PLC</td><td>±</td></tr> <tr><td>2 PLC</td><td>±</td></tr> <tr><td>3 PLC</td><td>±</td></tr> <tr><td>4 PLC</td><td>±</td></tr> </table>				0 PLC	±	1 PLC	±	2 PLC	±	3 PLC	±	4 PLC	±	PRODUCT SPEC 108-19056		SIZE CAGE CODE DRAWING NO RESTRICTED TO					
				0 PLC	±																
1 PLC	±																				
2 PLC	±																				
3 PLC	±																				
4 PLC	±																				
MATERIAL SEE TABLE				FINISH SEE TABLE		APPLICATION SPEC -		WEIGHT -		A3 00779 C-966657		-									
SEE TABLE				SEE TABLE		CUSTOMER DRAWING						SCALE 2:1		SHEET 2 OF 2		REV S1					

单击下面可查看定价，库存，交付和生命周期等信息

[>>TE Connectivity\(泰科\)](#)