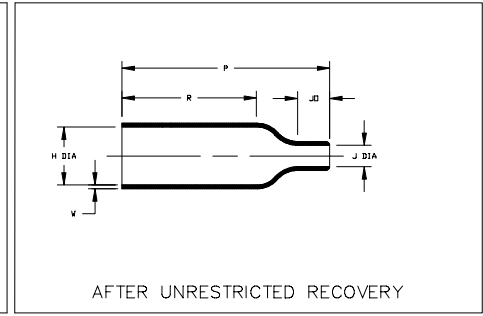
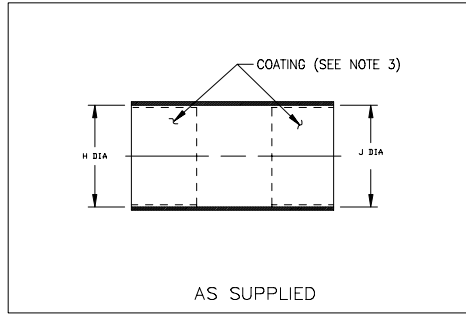


Thermofit Molded Parts
 Specification Control Drawing
 Limited Distribution

Part Number : 202A142-X-08
 Description : Boot, Straight, Overexpanded

NOTES

- All dimensions are in $\frac{\text{inches}}{\text{[millimeters]}}$
- Dimensions appearing in table are as follows:
 a - As Supplied
 b - After Unrestricted Recovery
- Coating is optional. As supplied dimensions appearing in table are for uncoated parts. When coating is added, entry diameters will be reduced by .06 max.



PART NUMBER	H		J		P ±10% b	R ±10% b	JO Ref b	W ±20% b
	Min	Max	Min	Max				
	a	b	a	b				
202A142-X-08	1.62 [41,1]	.70 [17,8]	1.62 [41,1]	.29 [7,4]	2.63 [66,8]	1.40 [35,6]	.70 [17,8]	.07 [1,78]

Raychem

RAYCHEM CORPORATION
 300 CONSTITUTION DRIVE
 MENLO PARK, CALIFORNIA 94025

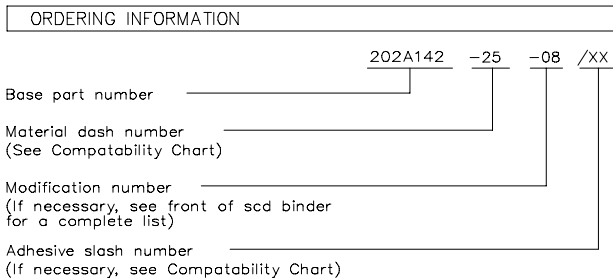
Revision : A
 Date : 7/19/00

Part Number : 202A142-X-08
 Description : Boot, Straight, Overexpanded

Thermofit Molded Parts
 Specification Control Drawing
 Limited Distribution

Part Number : 202A142-X-08
 Description : Boot, Straight, Overexpanded

MATERIAL DASH NO.	MATERIAL DESCRIPTION	RT SPEC	COATING SLASH NO.	COATING S NO.	COATING DESCRIPTION
-25	Elastomer, Fluid Resistant	RT-1325	N/A		



**If this document is printed it becomes uncontrolled.
 Check for the latest revision.**

THIS DRAWING IS SUBJECT TO CHANGE WITHOUT NOTICE; CONSULT YOUR
 NEAREST FIELD REPRESENTATIVE FOR CURRENT REVISION

Raychem

RAYCHEM CORPORATION
 300 CONSTITUTION DRIVE
 MENLO PARK, CALIFORNIA 94025

Revision : A
 Date : 7/19/00

Part Number : 202A142-X-08
 Description : Boot, Straight, Overexpanded
 CAD FILE MP00085

单击下面可查看定价，库存，交付和生命周期等信息

[>>TE Connectivity\(泰科\)](#)