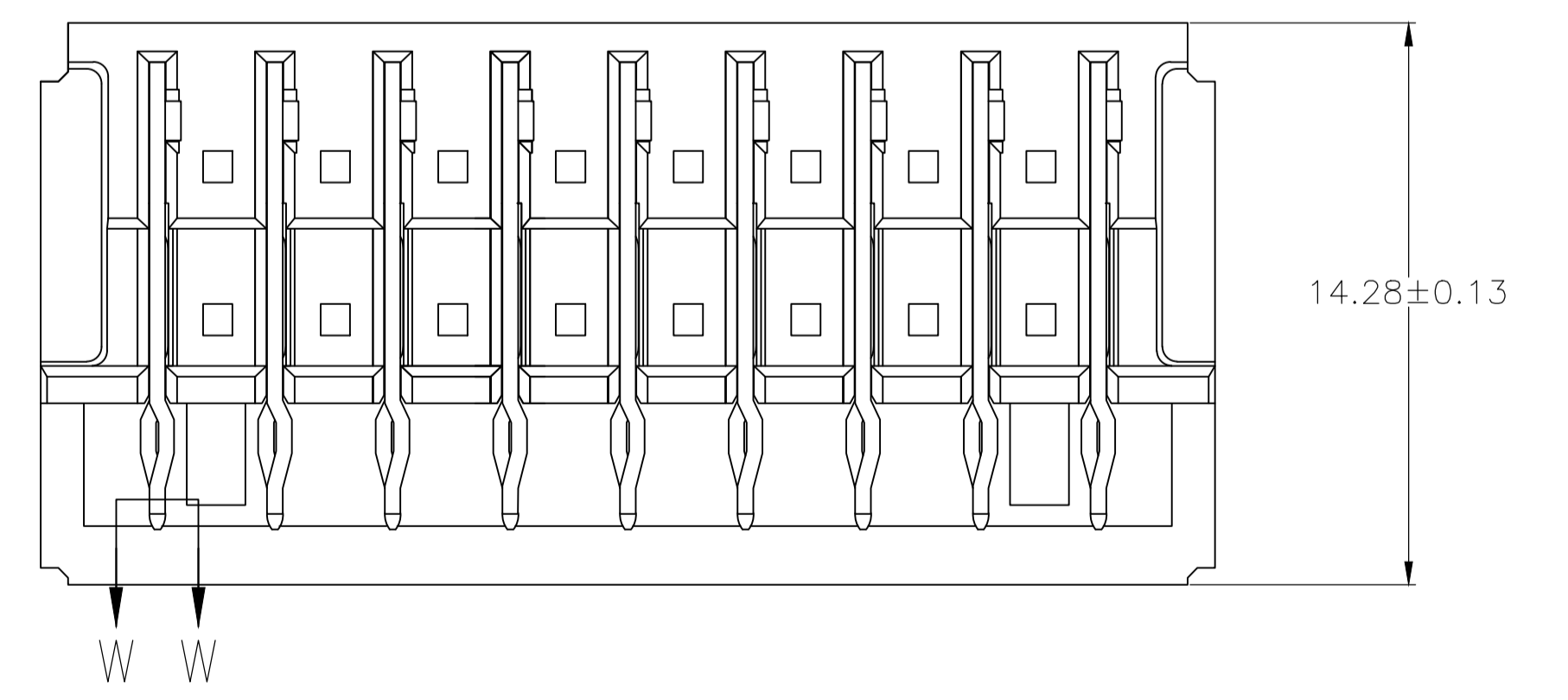
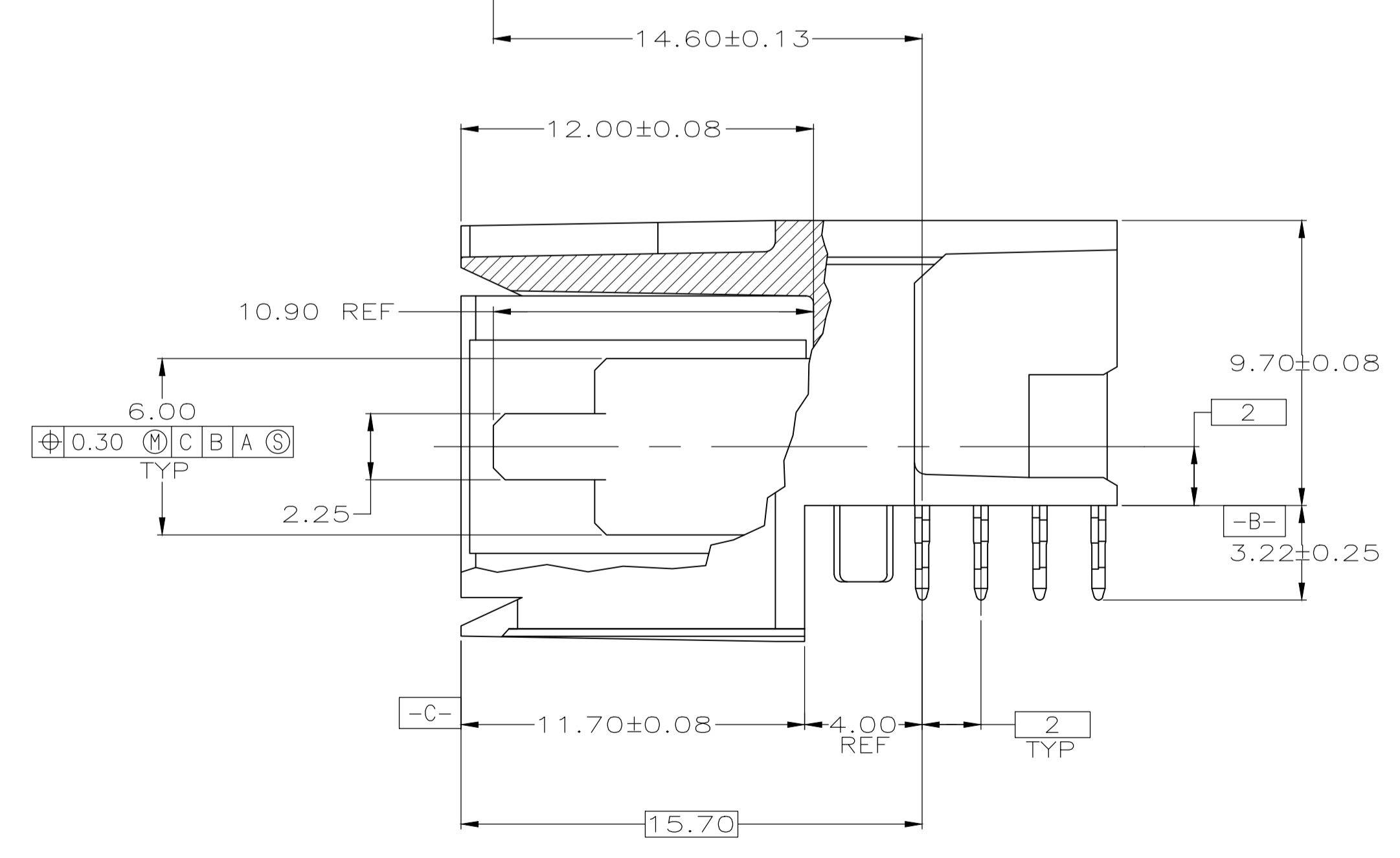
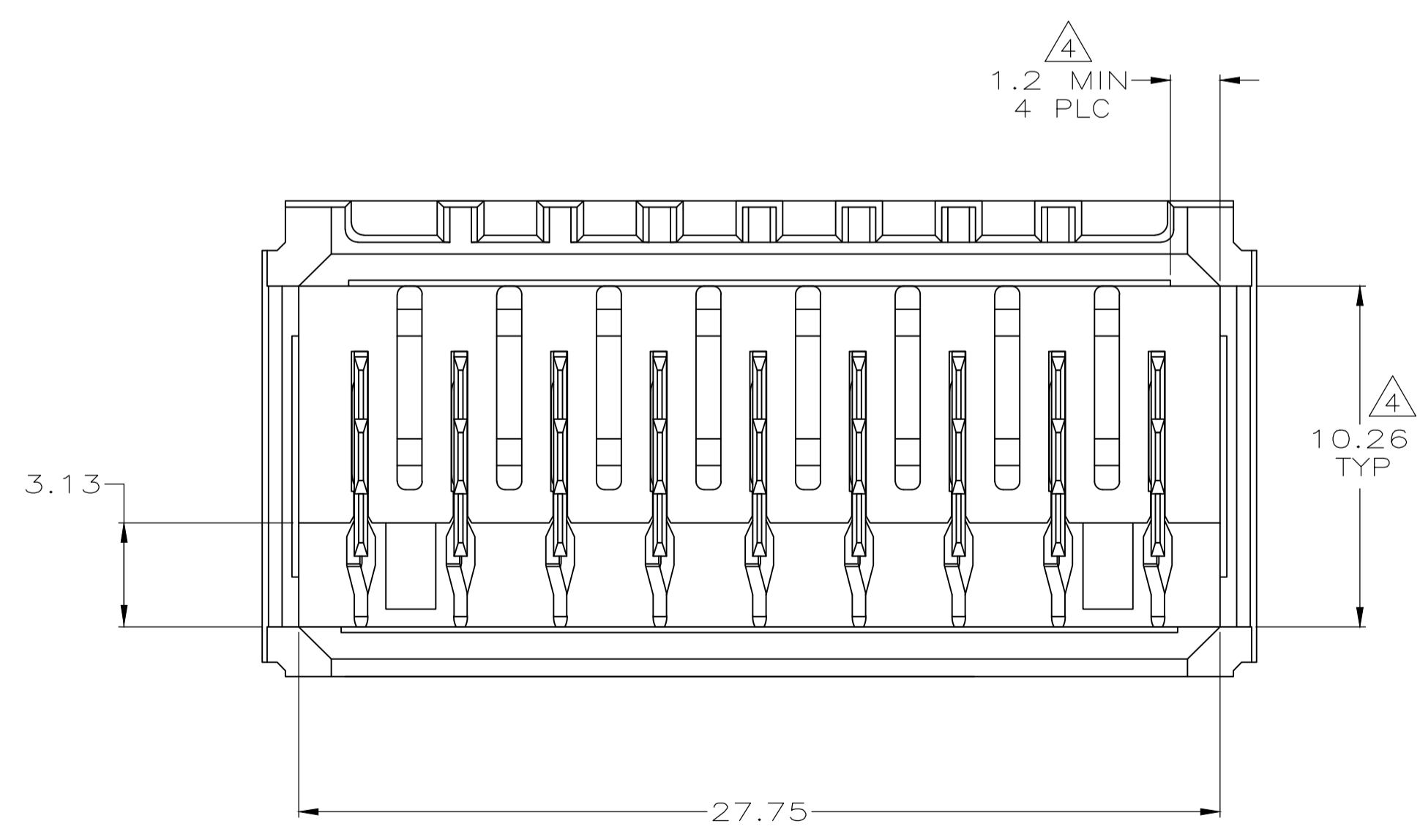
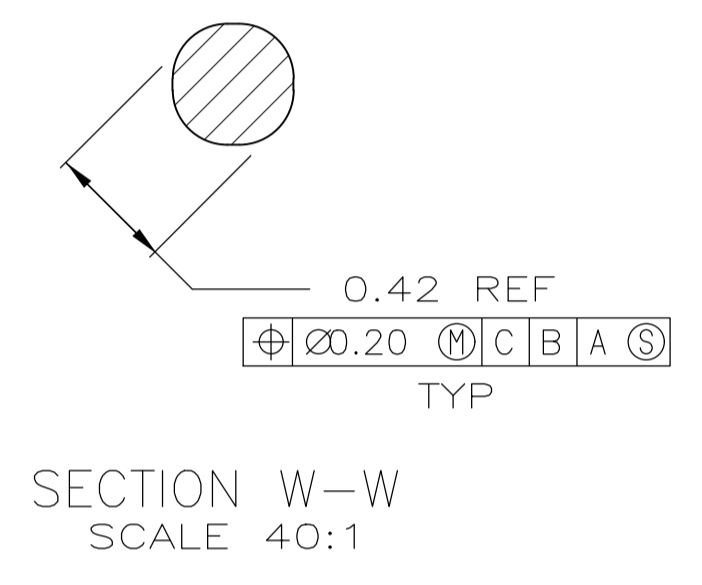


- 1 MATERIAL: HOUSING: POLYESTER. COLOR: GRAY. UL 94V-0. CONTACT: COPPER ALLOY.
- 2 FINISH: IN ACCORDANCE WITH PRODUCT SPECIFICATION 108-1651, GOLD PLATING OR EQUIVALENT PLATING ON PRODUCT CONTACT MATING AREA, AND MATTE TIN PLATING ON COMPLIANT PIN AREA, ALL OVER MATTE NICKEL UNDERPLATED. DETAIL PLEASE REFER TO PRODUCT SPECIFICATION 108-1651.
- 3 FINISH: CONTACT LUBRICATION WITH BELLCORE APPROVED LUBRICANT. TECHNICAL REFERENCE: GR-1217-CORE, ISSUE 1, NOVEMBER 1995.
- 4 THE 10.26±0.13 DIMENSION APPLIES IN THIS AREA.
- 5 REFERENCE APPLICATION SPEC 114-1103 FOR RECOMMENDED PLATED THRU HOLE DIAMETER AND PLATING THICKNESS.
- 6. CURRENT RATING 10A/CONTACT PER PRODUCT SPEC 108-1651.



5646959-1  
PART NUMBER

THIS DRAWING IS A CONTROLLED DOCUMENT.		DIN B CARBO 150EC04	Tyco Electronics Corporation Harrisburg, Pa 17105-3608
DIMENSIONS: mm		CHK R PATTERSON 150EC04	
TOLERANCES UNLESS OTHERWISE SPECIFIED:		APPD R PATTERSON 150EC04	NAME
0 PLC ± -			PRODUCT SPEC
1 PLC ± -			108-1651
2 PLC ± 0.13			APPLICATION SPEC
3 PLC ± -			114-1103
4 PLC ± -			SIZE
ANGLES ± -			CAGE CODE DRAWING NO
MATERIAL	FINISH	WEIGHT	A1 00779 C=5646959
1	2	CUSTOMER DRAWING	SCALE 6:1 SHEET 1 OF 1 REV B1

单击下面可查看定价，库存，交付和生命周期等信息

[>>TE Connectivity\(泰科\)](#)