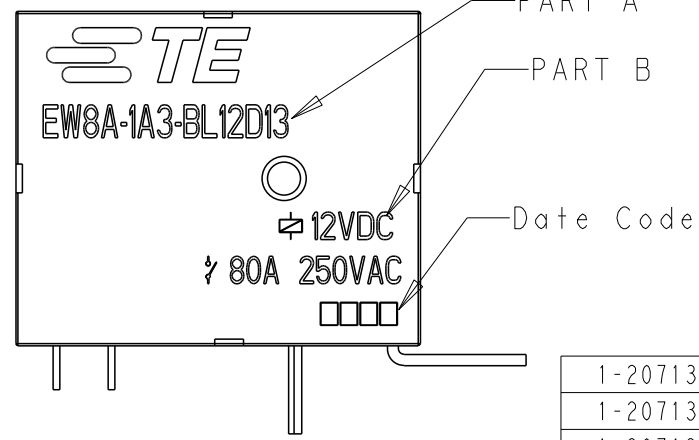
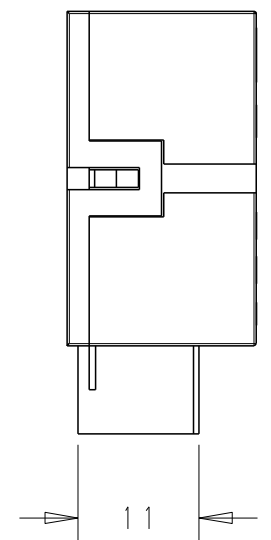
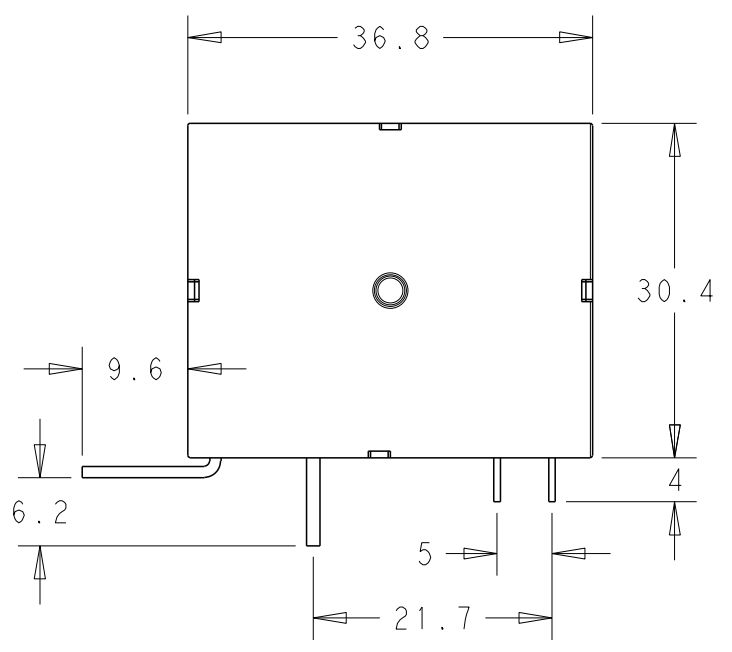
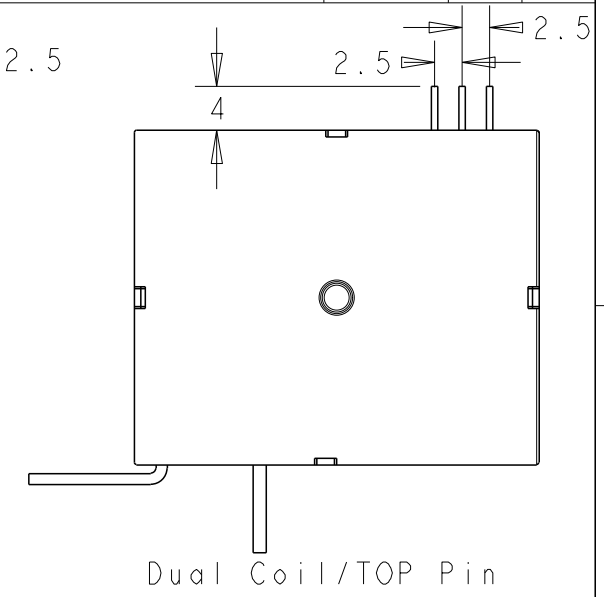
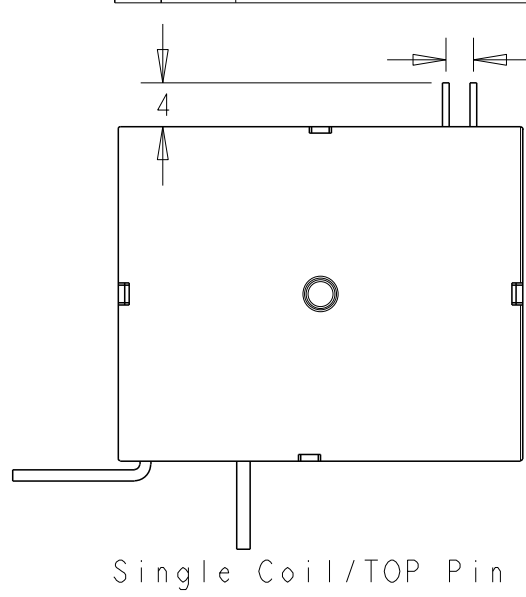
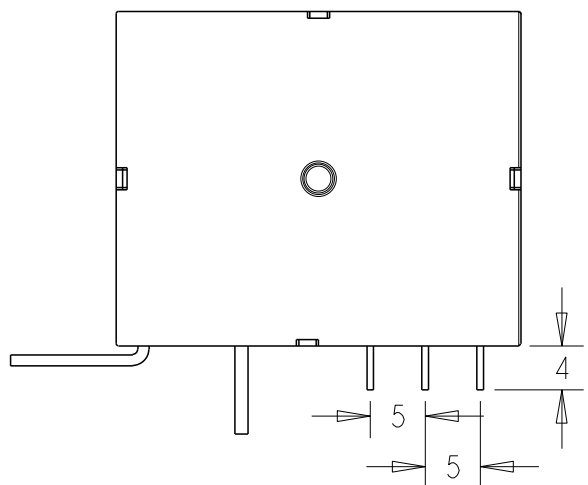
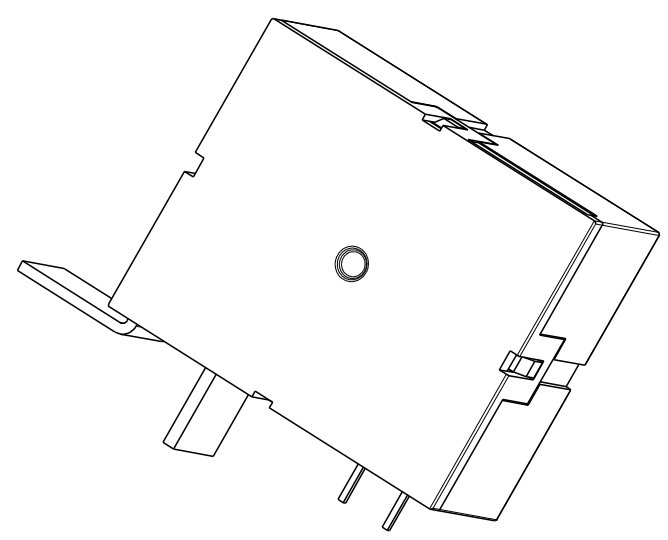


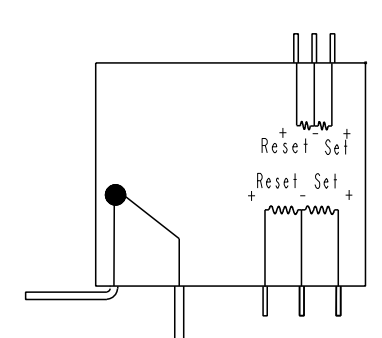
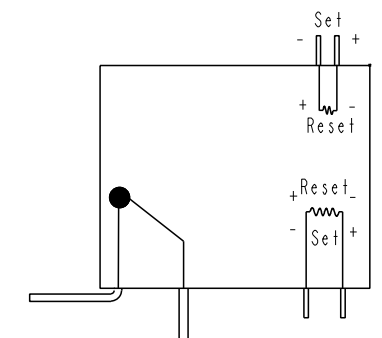
REVISIONS				
P	LTR	DESCRIPTION	DATE	APVD



Single Coil/TOP Pin

Dual Coil/TOP Pin

Dual Coil/Bottom Pin

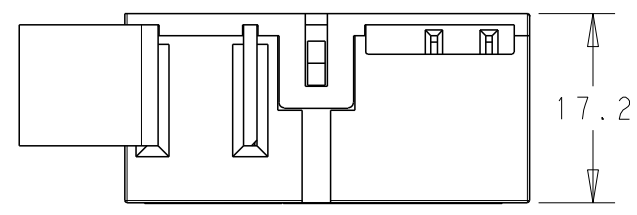


Single Coil

Dual Coil

Wire Connection drawing

Single Coil/Bottom Pin



DIMENSION	TOLERANCE
<= 1mm	±0.2
1~5mm	±0.3
>= 5mm	±0.4

PART NO	DESCRIPTION	PART A	PART B	ITEM
1-2071352-2	Dual coil/Top Pin(24V)	EW82-1A3-C024D00	24V	12
1-2071352-1	Dual coil/Top Pin(12V)	EW82-1A3-C012D00	12V	11
1-2071352-0	Dual coil/Top Pin(9V)	EW82-1A3-C009D00	9V	10
2071352-9	Single coil/Top Pin(24V)	EW82-1A3-B024D00	24V	9
2071352-8	Single coil/Top Pin(12V)	EW82-1A3-B012D00	12V	8
2071352-7	Single coil/Top Pin(9V)	EW82-1A3-B009D00	9V	7
2071352-6	Dual coil/Bottom Pin(24V)	EW80-1A3-C024D00	24V	6
2071352-5	Dual coil/Bottom Pin(12V)	EW80-1A3-C012D00	12V	5
2071352-4	Dual coil/Bottom Pin(9V)	EW80-1A3-C009D00	9V	4
2071352-3	Single coil/Bottom Pin(24V)	EW80-1A3-B024D00	24V	3
2071352-2	Single coil/Bottom Pin(12V)	EW80-1A3-B012D00	12V	2
2071352-1	Single coil/Bottom Pin(9V)	EW80-1A3-B009D00	9V	1

THIS DRAWING IS A CONTROLLED DOCUMENT.

DWN	15NOV2013	TE Connectivity EW8X Angle Type Customer Drawing	SIZE: A3 CAGE CODE: - DRAWING NO: ©=2071352 RESTRICTED TO: -
CHK	Andrew Fu		
APVD	Xiaoning Zhang		
PRODUCT SPEC	Sunny Zhang		
APPLICATION SPEC	-	WEIGHT	-
MATERIAL	TBD	FINISH	-
DIMENSIONS: mm 		TOLERANCES UNLESS OTHERWISE SPECIFIED: 0 PLC ± 1 PLC ± 2 PLC ± 3 PLC ± 4 PLC ± ANGLES ±	
CUSTOMER DRAWING		SCALE	1:1
		SHEET	1 OF 1
		REV	A

单击下面可查看定价，库存，交付和生命周期等信息

[>>TE Connectivity\(泰科\)](#)