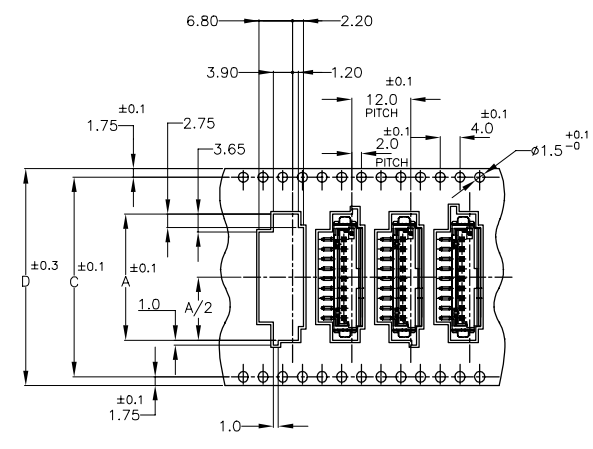
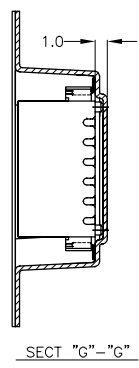
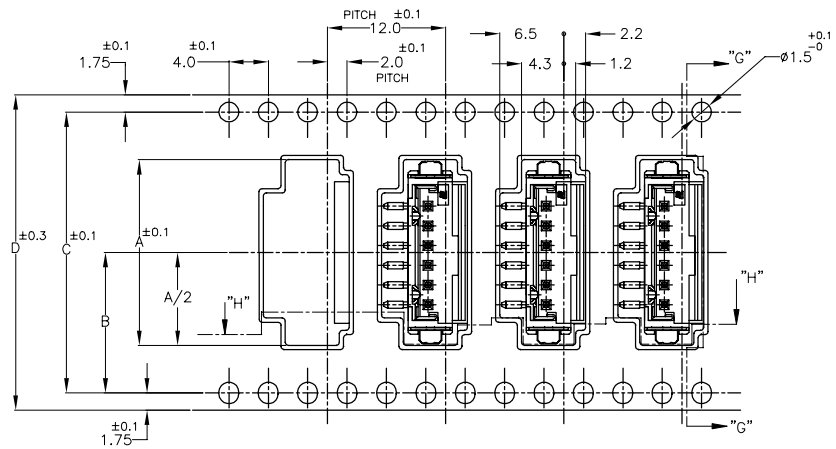


THIS DRAWING IS UNPUBLISHED. RELEASED FOR PUBLICATION  
 © COPYRIGHT - By - ALL RIGHTS RESERVED.

LOC	DIST	REVISIONS					
ES	00	P	LTR	DESCRIPTION	DATE	DWN	APVD
		C2		ECR-21-101067	09APR2021	T.Q	N.S

(AS SHOWN : -6)



9P ONLY

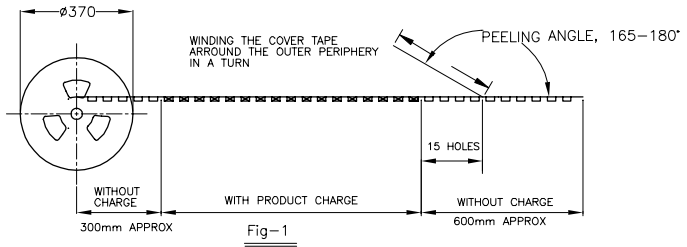
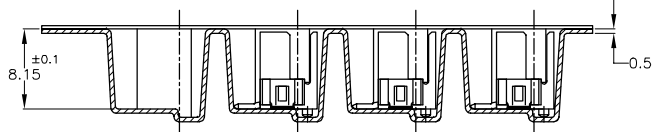


Fig-1

BLACK		44.0	40.5	20.25	25.6	9	2-292174-9
		44.0	40.4	20.2	22.9	8	2- -8
		32.0	28.4	14.2	20.9	7	2- -7
		32.0	28.4	14.2	18.9	6	2- -6
		32.0	28.4	14.2	16.9	5	2- -5
		32.0	28.4	14.2	14.9	4	2- -4
NATURAL	WITH	32.0	28.4	14.2	12.9	3	2- -3
		32.0	28.4	14.2	10.9	2	2-292174-2
		44.0	40.5	20.25	25.6	9	292174-9
		44.0	40.4	20.2	22.9	8	-8
		32.0	28.4	14.2	20.9	7	-7
		32.0	28.4	14.2	18.9	6	-6
	32.0	28.4	14.2	16.9	5	-5	
	32.0	28.4	14.2	14.9	4	-4	
	32.0	28.4	14.2	12.9	3	-3	
	WITH	32.0	28.4	14.2	10.9	2	292174-2
COLOR PLATE	D	C	B	A	700 QTY REEL	POS	TAPING P/N

- NOTES:  
 1. PEELING RESISTANCE: 0.196N(20gf)-0.686N(70gf)  
 PEELING SPEED: 300mm/min

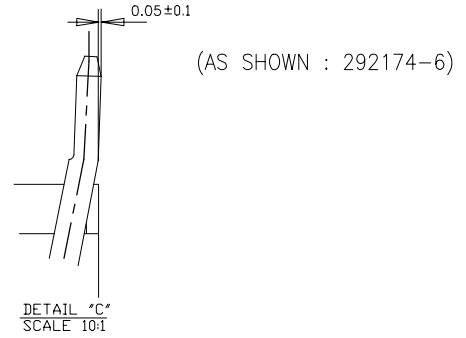
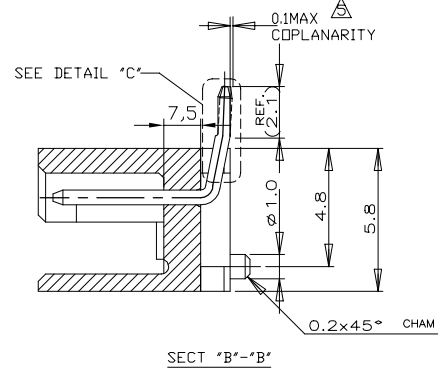
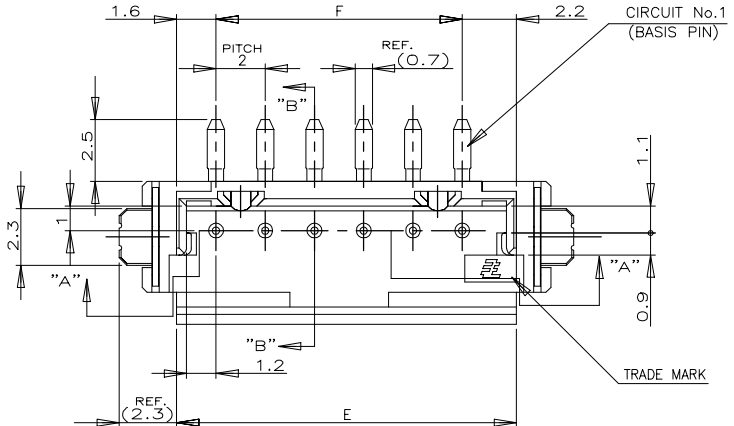
TOLERANCE UNLESS OTHERWISE SPECIFIED	
10 > * :	±0.2
30 > * > 10 :	±0.25
100 > * > 30 :	±0.3
ANGLE :	±3°

THIS DRAWING IS A CONTROLLED DOCUMENT.		DWN	JACK HOU	17SEP10
DIMENSIONS: MM		CHK	MARTIN LI	17SEP10
TOLERANCES UNLESS OTHERWISE SPECIFIED:		APVD	STEVEN YAO	17SEP10
0 PLC ±		NAME		
1 PLC ±		ON TAPING (EMBOSS)		
2 PLC ±		TE CT CONNECTOR POST HEADER ASS'Y		
3 PLC ±		(BOX-V SMT W/BOSS & TAIL)		
4 PLC ±		SIZE	A3	RESTRICTED TO
ANGLES ±		CAGE CODE	00779	
MATERIAL		DRAWING NO	C-292174	
FINISH		SCALE	1:1	
		WEIGHT		
		CUSTOMER DRAWING		
		SHEET	1 of 3	
		REV	C2	

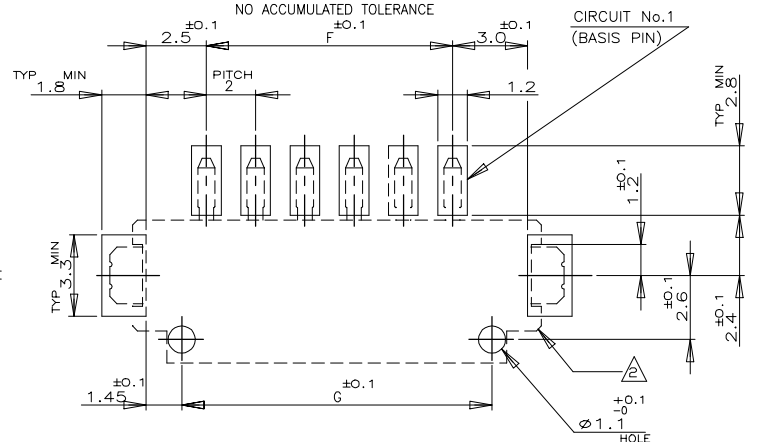
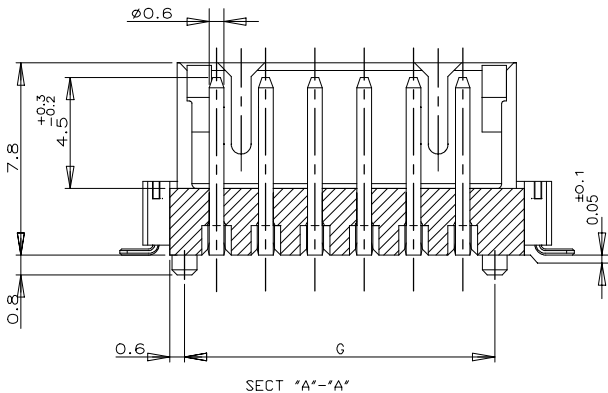


THIS DRAWING IS UNPUBLISHED. RELEASED FOR PUBLICATION  
 © COPYRIGHT - By - ALL RIGHTS RESERVED.

LOC	DIST	REVISIONS					
ES	00	P	LTR	DESCRIPTION	DATE	DWN	APVD
		-	-	SEE SHEET 1	-	-	-



NOTES:  
 2. MATERIAL:HSG: NYLON (UL94V-0)  
 COLOR:BLACK OR NATURAL  
 POST:TIN BRASS  
 TAIL:TIN BRASS  
 △ OCCUPANT AREA ON PC BOARD  
 4. PRODUCT SPEC :108-60016  
 △ TO BE MEASURED WITH CONNECTOR PLACED ON HORIZONTAL DATUM SURFACE, FLOAT OF SOLDER TINE AND TAIL FROM DATUM SURFACE IS 0.1mm MAX



RECOMMENDED P.C. BOARD LAYOUT  
 (P.C.B THK:0.8mm MIN)

12.6	10.0	13.8	6	292174-6
G	F	E	Pos.	NATURAL
				P/N

THIS DRAWING IS A CONTROLLED DOCUMENT.		DWN	JACK HOU	17SEP10	 TE Connectivity SMT TYPE POST HDR ASS'Y(V) WITH BOSS & WITH TAIL TYPE TE CT CONN. 2 mm PITCH	RESTRICTED TO
DIMENSIONS: MM		CHK	MARTIN LI	17SEP10		
TOLERANCES UNLESS OTHERWISE SPECIFIED:		APVD	STEVEN YAO	17SEP10		
0 PLC ±- 1 PLC ±- 2 PLC ±- 3 PLC ±- 4 PLC ±- ANGLES ±-		NAME	SEE NOTE			
MATERIAL SEE NOTE		FINISH	SEE NOTE		SIZE	A3
TOLERANCES UNLESS OTHERWISE SPECIFIED: 10>* : ±0.2 30>*10 : ±0.25 100>*30 : ±0.3 ANGEL : ±3°		WEIGHT	-		CAGE CODE	00779
		CUSTOMER DRAWING			DRAWING NO	C-292174
		SCALE	5:1		SHEET	3 of 3
					REV	C2

单击下面可查看定价，库存，交付和生命周期等信息

[>>TE Connectivity\(泰科\)](#)